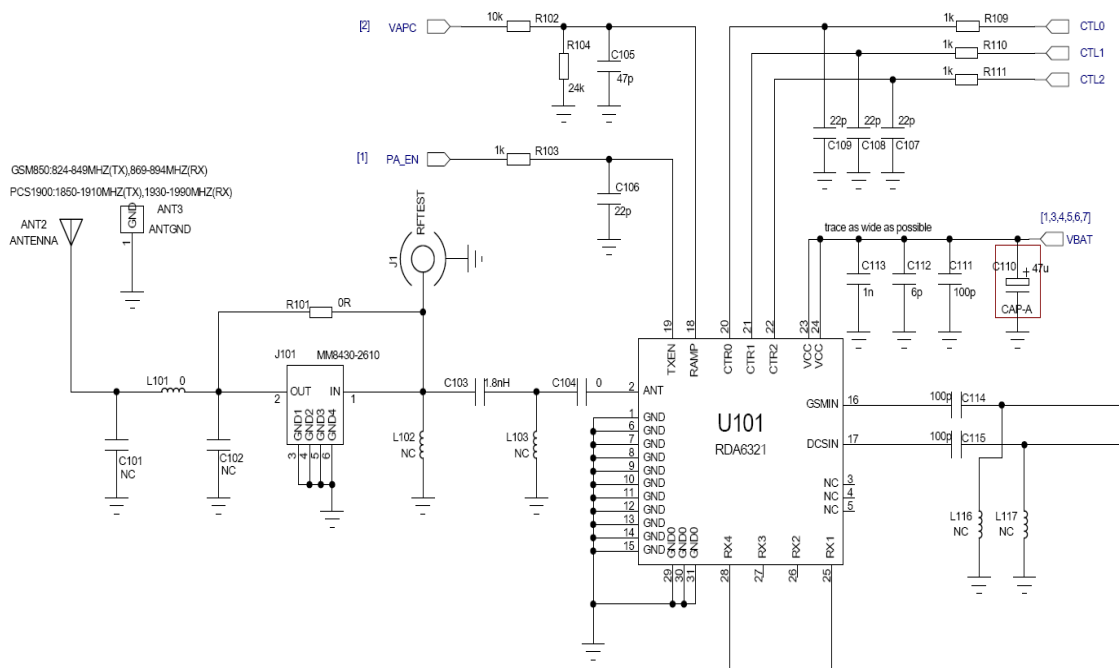


This project integrates baseband and RF modules in Solar\_MB\_V10, The module is mounted as a part of this project with the PCBA.

### 1 RX antenna switch SCH (page 1)

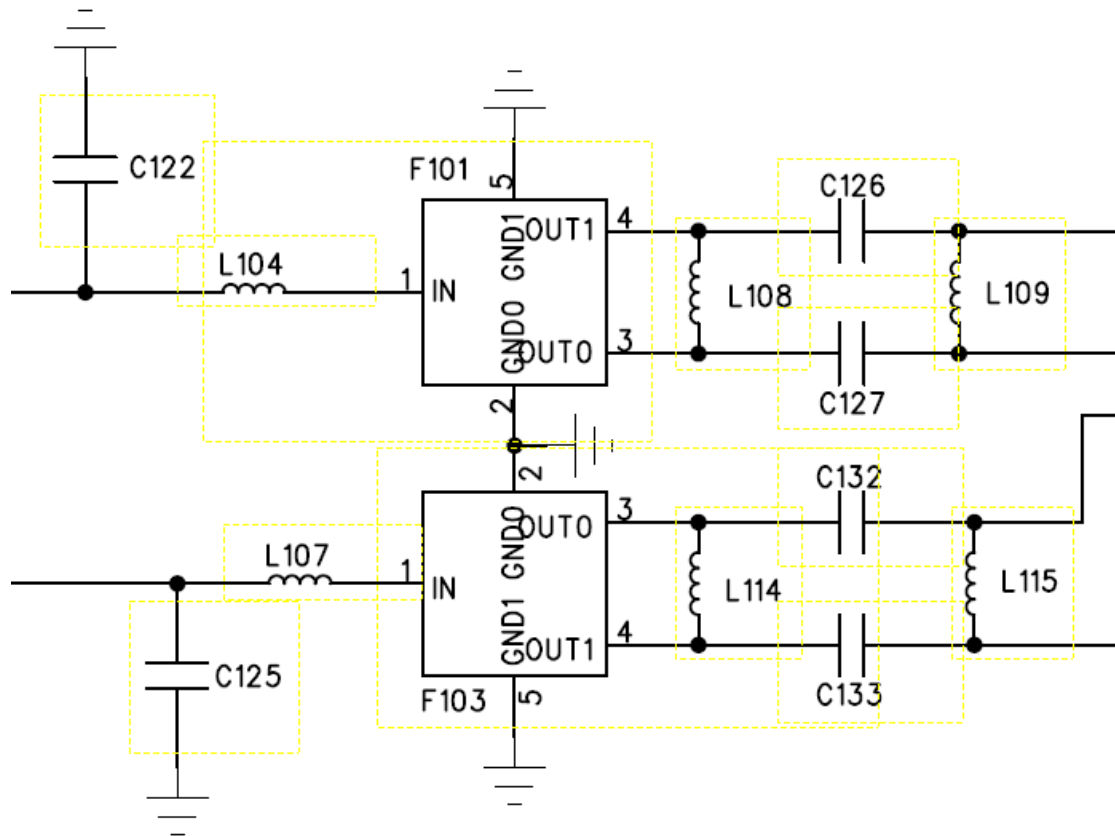


The aerial signal mobile phone received goes from GSM\_ANT to RF Connector J101 . RF Connector is a special parts developed for RF test. By connecting RF cable to spectrum analyzer, you can measure RF signal.

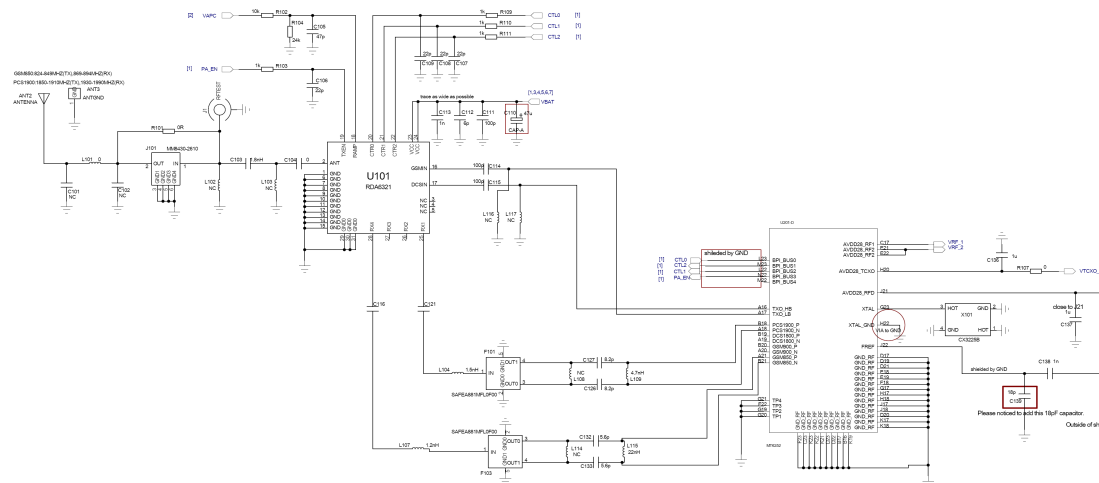
Signal output from RF Connector will be input to GSM double band front-end module U101 (integrated with RF PA ).CPU output signals to the ports of U101,such as GpCtrl0 , GpCtrl1, GpCtrl2 and TX\_ENABLE . TX\_ENABLE will be incharge of GSM double band front-end module U101 in relative Band(GSM850、PCS1900)and in TX/RX or standby status as below figure.

TX_ENABLE	GpCtrl2	GpCtrl1	GpCtrl0	TX Module Mode
0	0	0	0	Default
0	1	0	0	RX1
0	0	0	1	RX4
1	0	1	0	850 TX
1	1	1	0	1900 TX

2 RX SAW Filter SCH (page 1)



The RX signal output from RF SW, than input SAW filter .changed two difference signals in SAW filter, than input the BB transceiver of U201(MT6252).



The RF overall schematic as up. It contains the TX path and RX path. The signal

