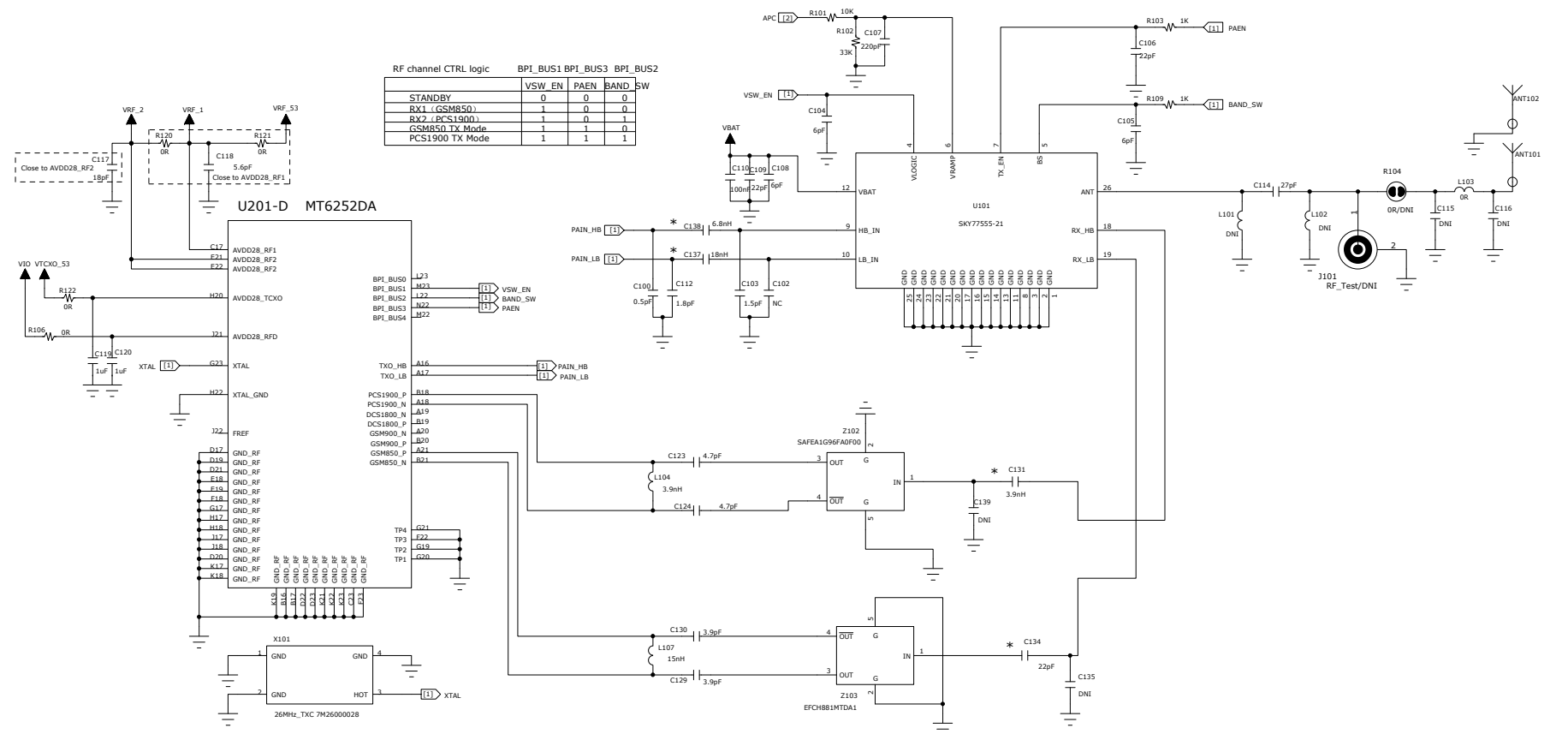
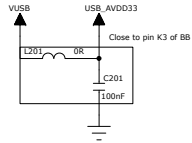


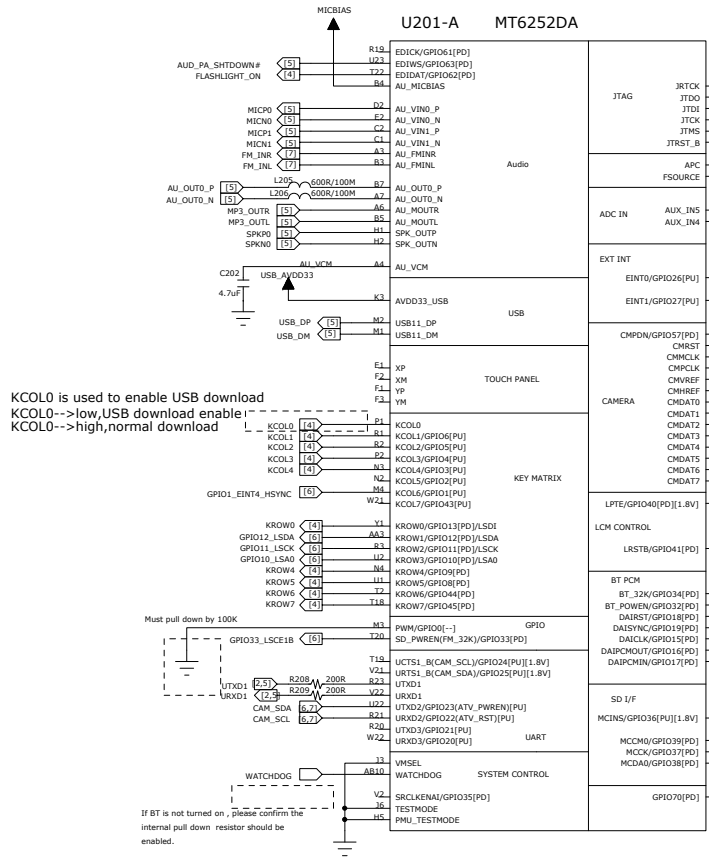
RF



BASEBAND



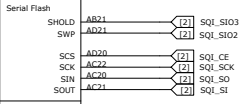
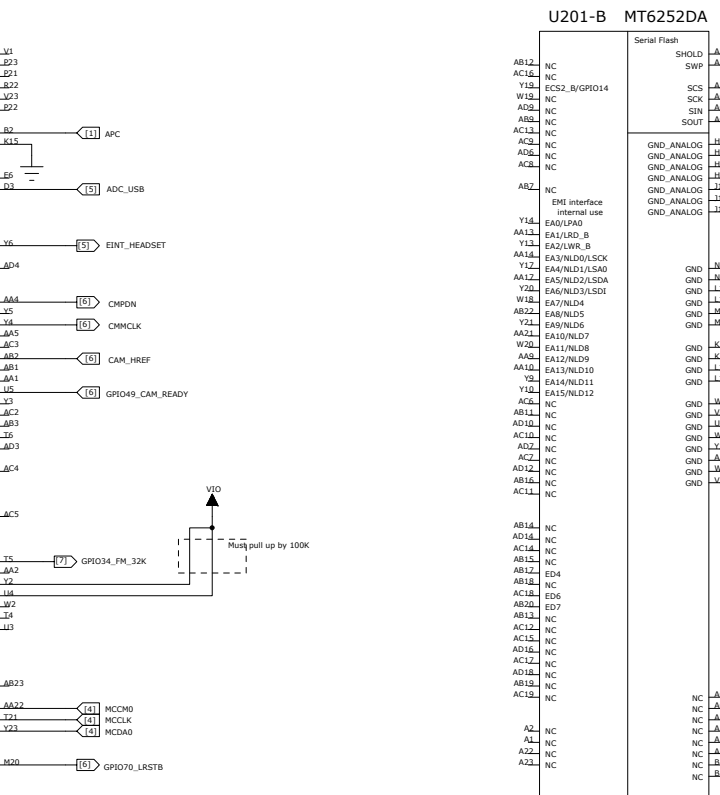
SHOLD : SIO3
 SWP : SIO2
 SOUT : SQT_SI : DQ0
 SIN : SQT_SO : DQ1



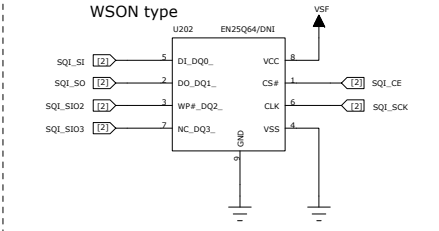
KCOL0 is used to enable USB download
 KCOL0-->low,USB download enable
 KCOL0-->high,normal download

Must pull down by 100K

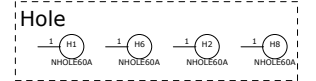
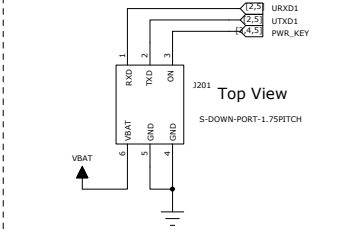
If BT is not turned on , please confirm the internal pull down resistor should be enabled.



Serial Flash

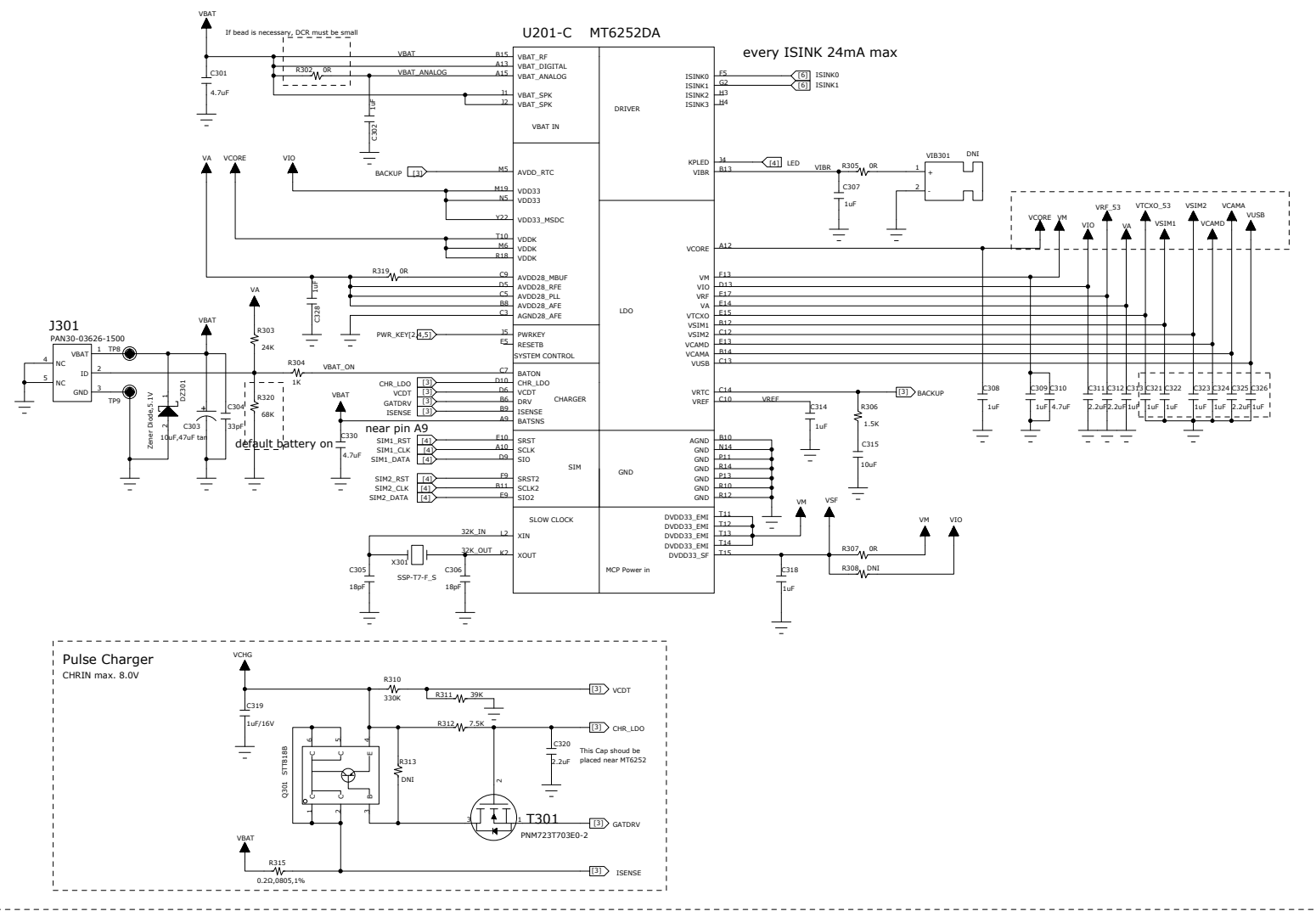


Factory Download Point

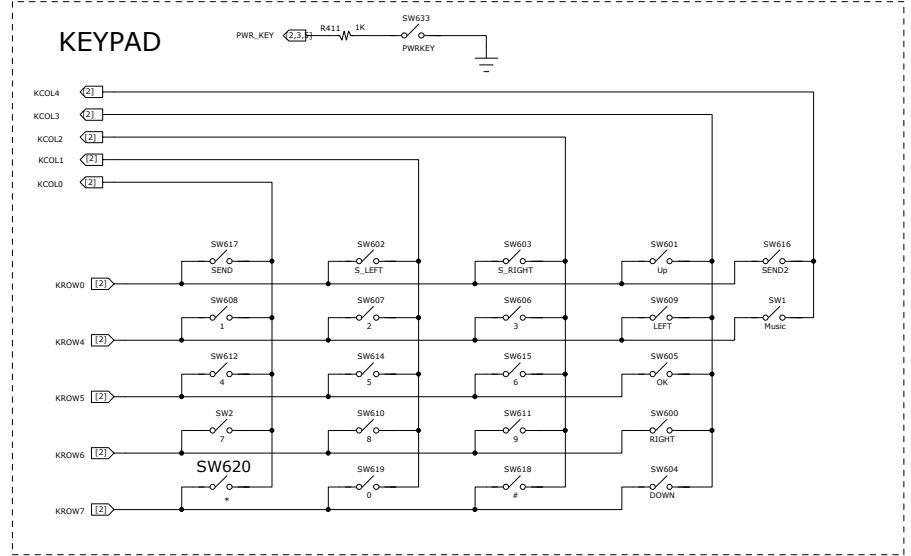
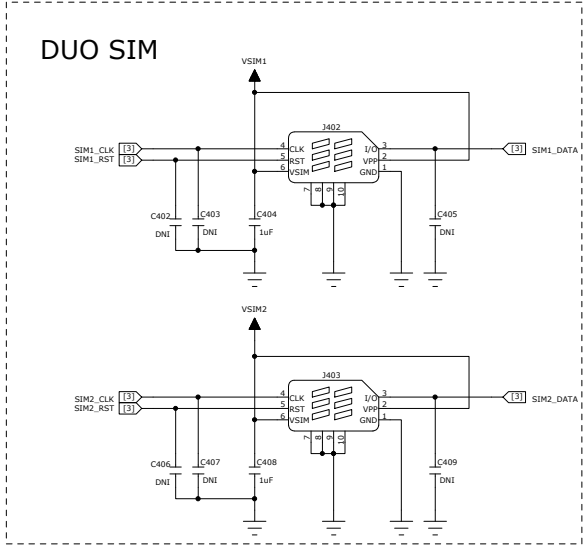
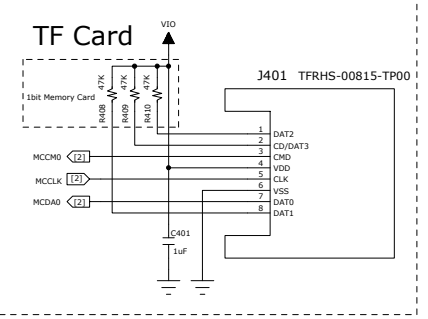
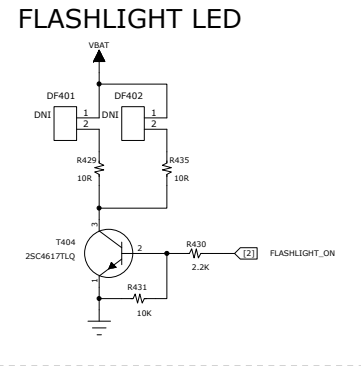
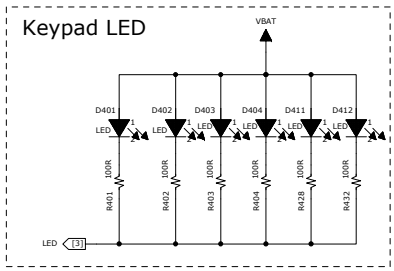


COMPANY:			
TITLE: 02_MT6252_BB_SFLASH			
DRAWN: Leidajun	DATED: 2012-1-17	SIZE: A2	REV: V0.1
RELEASED: <Released By>	DATED: <Release Date>	SHEET: 2 / 8	

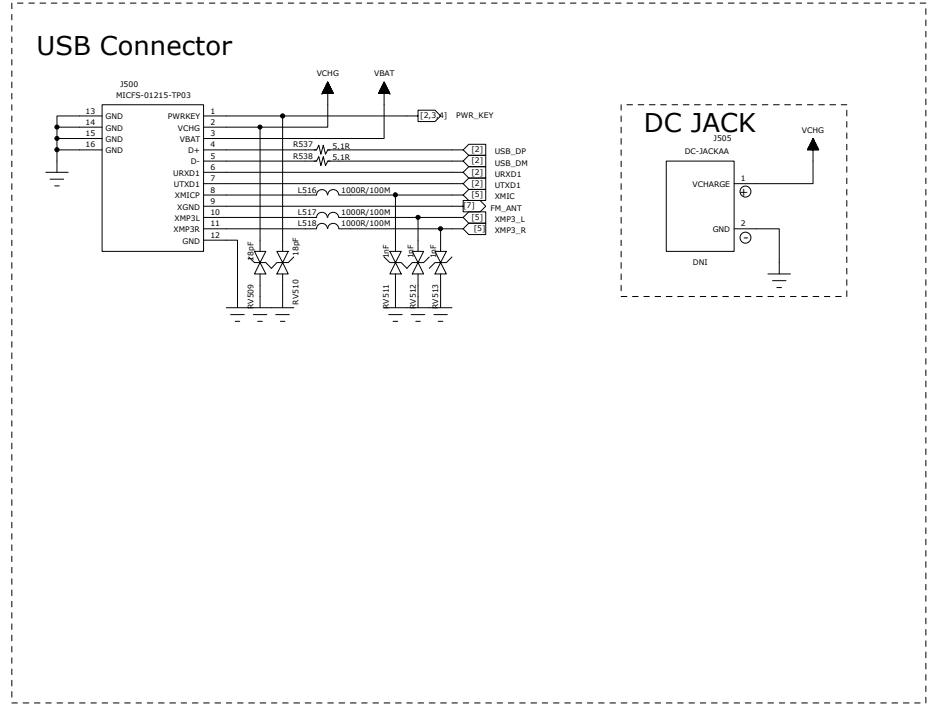
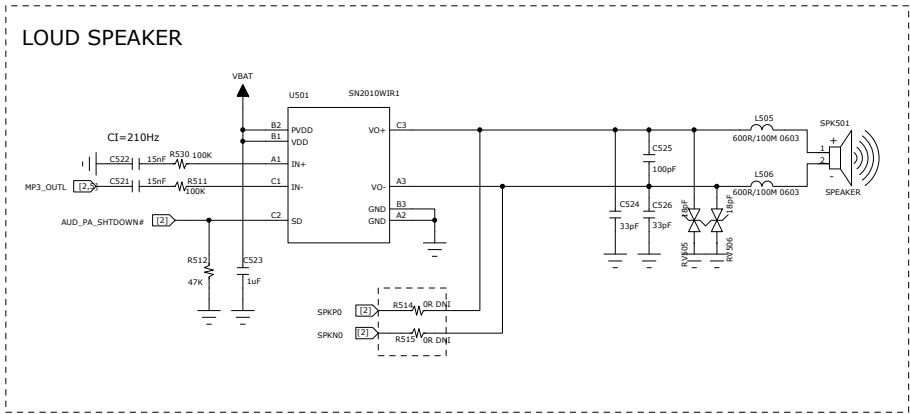
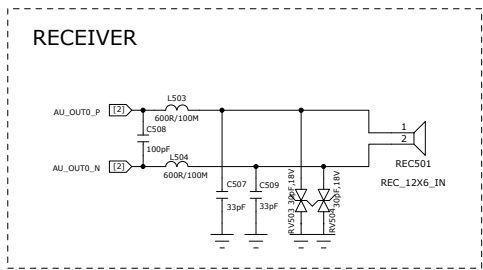
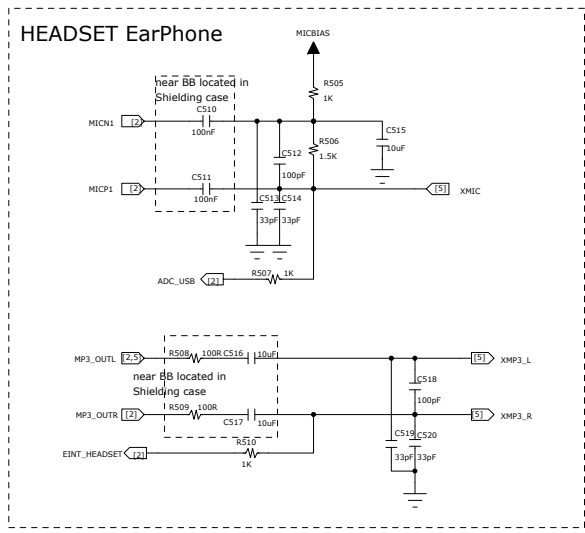
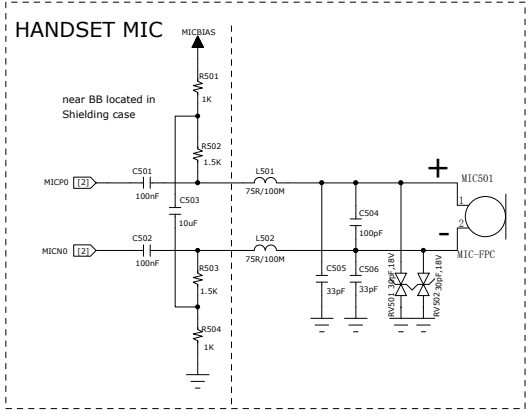
MT6252_PMU



COMPANY:			
TITLE: 03_MT6252_PMU			
DRAWN: Leidajun	DATED: 2012-1-17	SIZE: A2	REV: V0.1
RELEASED: <Released By>	DATED: <Release Date>	SHEET: 3 / 8	

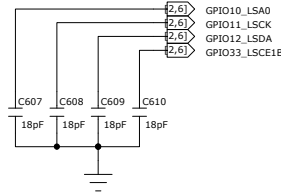
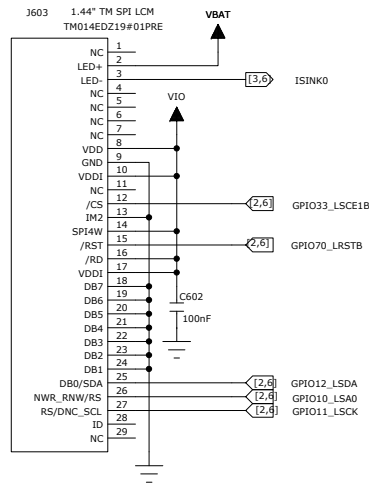
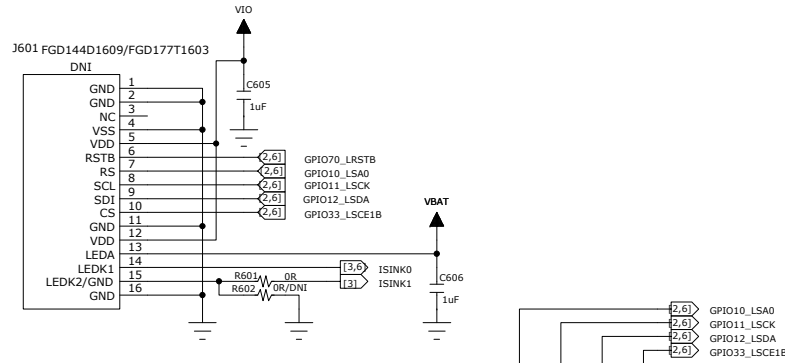


COMPANY:			
TITLE: 04_SIM_TF_KEYPAD_FLASHLIGHT			
DRAWN: Leidaajun	DATED: 2012-1-17	SIZE: A2	REV: V0.1
RELEASED: <Released By>	DATED: <Release Date>	SHEET: 4 / 8	

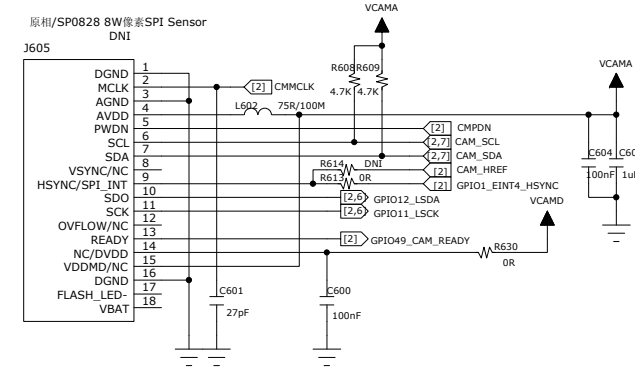


COMPANY:			
TITLE: 05_AUDIO/USB			
DRAWN: Leidajun	DATED: 2012-1-17	SIZE: A2	REV: V0.1
RELEASED: <Released By>	DATED: <Release Date>	SHEET: 5 / 8	

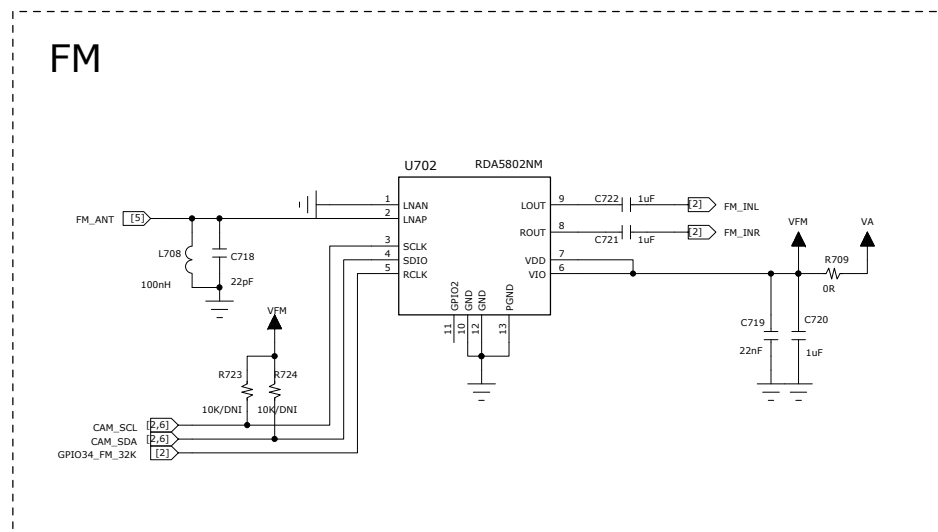
1.44"/1.77" 2.8V SPI LCM



4W/8W pixels 2.8V SPI Camera



COMPANY:			
TITLE: 06_LCM/CAMERA			
DRAWN: Leidaijun	DATED: 2012-1-17	SIZE: A2	REV: V0.1
RELEASED: <Released By>	DATED: <Release Date>	SHEET: 6 / 8	



COMPANY:
 TITLE: **07_FM**

DRAWN: Leidaijun	DATED: 2012-1-17	SIZE: A2	REV: V0.1
RELEASED: <Released By>	DATED: <Release Date>	SHEET: 7 / 8	

6

5

4

3

2

1

D

D

C

C

B

B

A

A

<Project Change List>		
<Version1>		<Change Name1> <Change Date1>
<Version2>		<Change Name2> <Change Date2>
<Version3>		<Change Name3> <Change Date3>

COMPANY:			
TITLE: 10_CHANGE_LIST			
DRAWN: Leidajun	DATED: 2012-1-17	SIZE: A2	REV: V0.1
RELEASED: <Released By>	DATED: <Release Date>	SHEET: 8 / 8	