

6

5

4

3

2

1

D

D

C

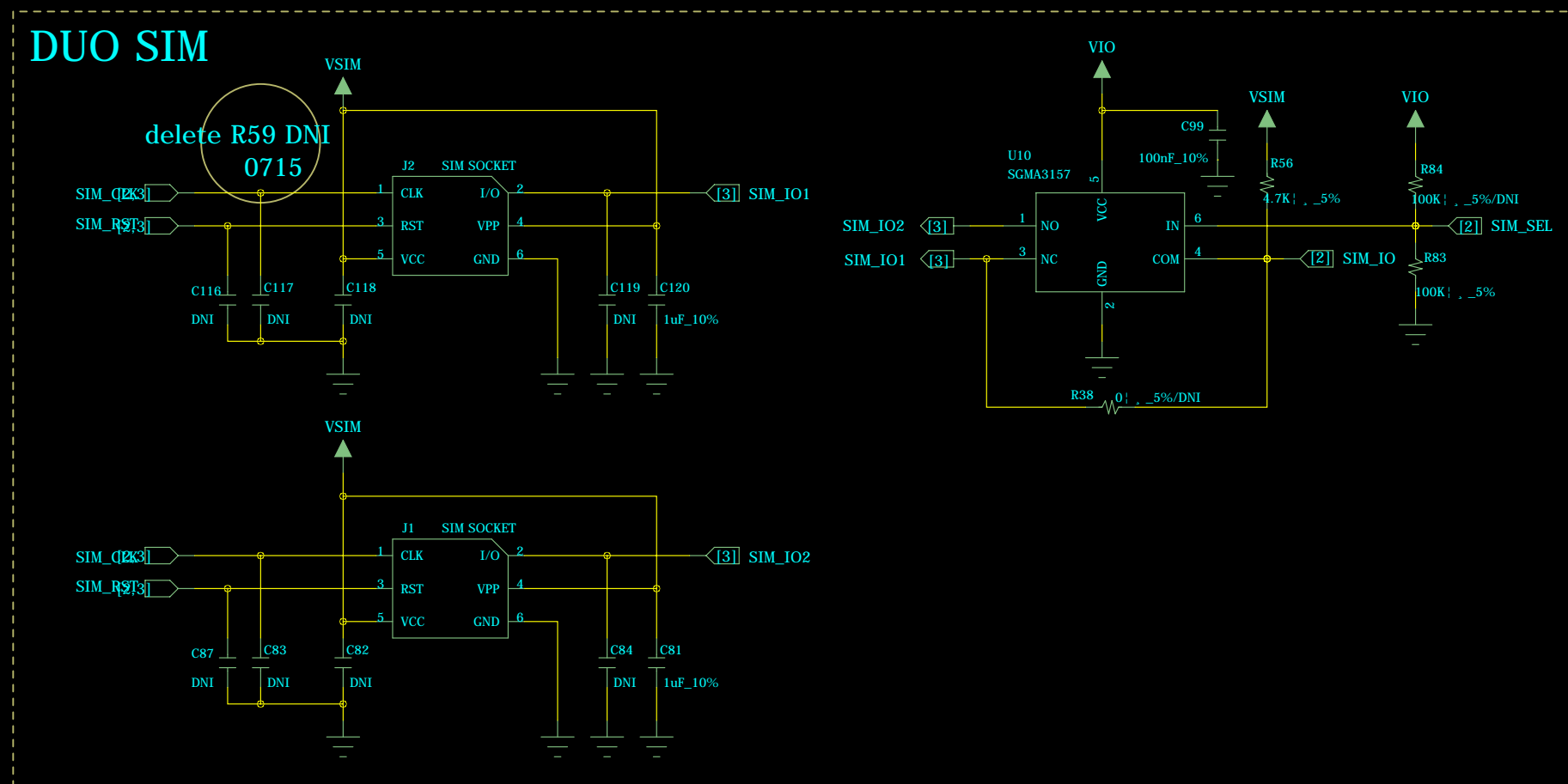
C

B

B

A

A



COMPANY:		HEXINGCOM	
TITLE:		03_DUAL_SIM	
DRAWN: Leidajun	DATED: <undefined>	SIZE: A2	REV: V0.1
RELEASED: <Released By>	DATED: <Release Date>	SHEET: 3 / 5	

6

5

4

3

2

1

D

D

C

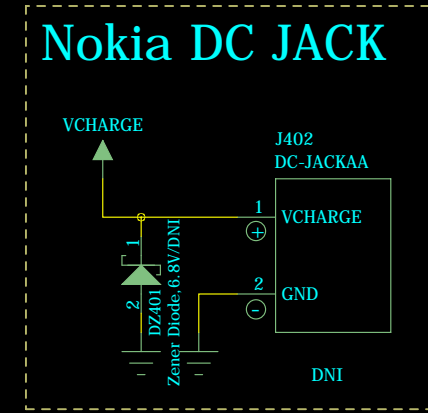
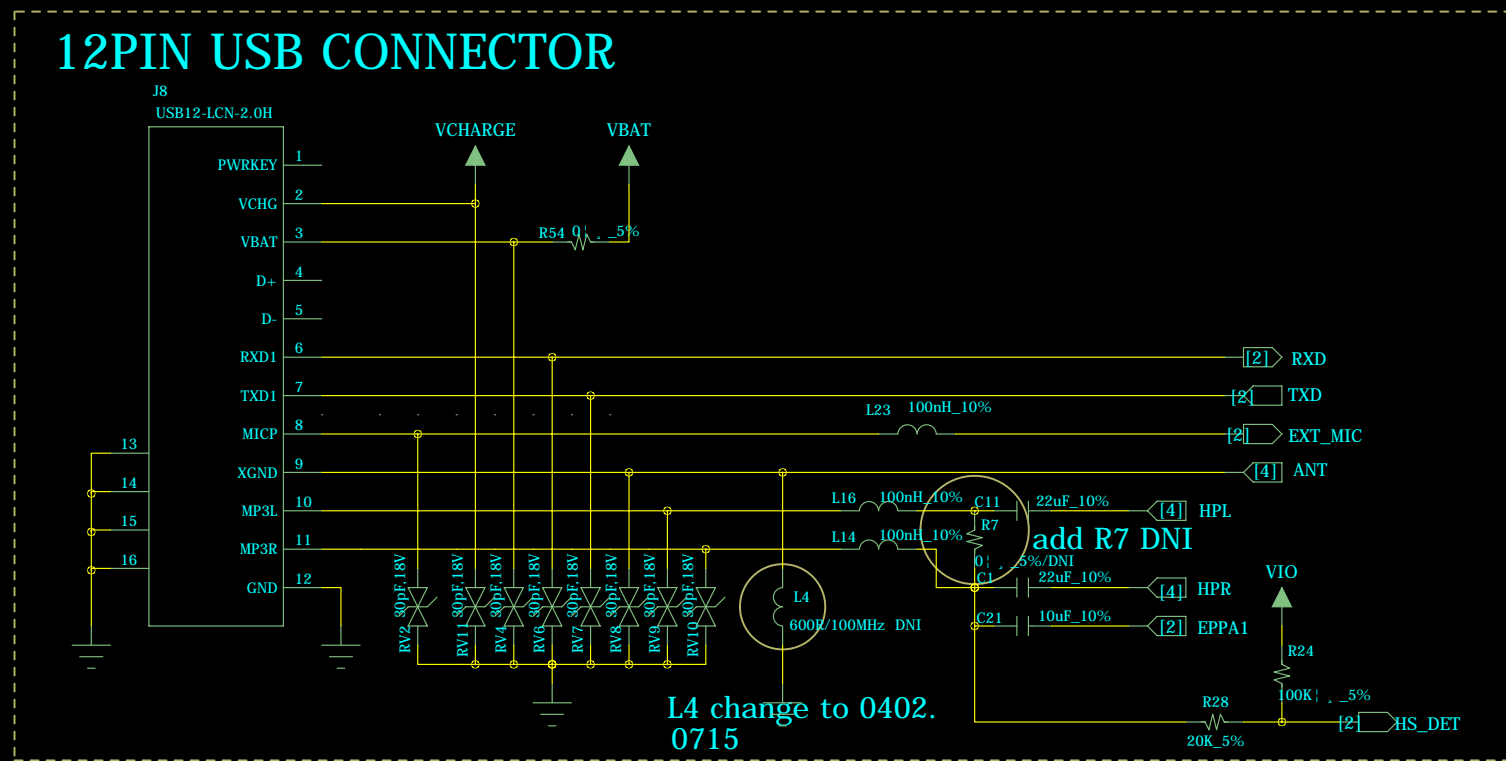
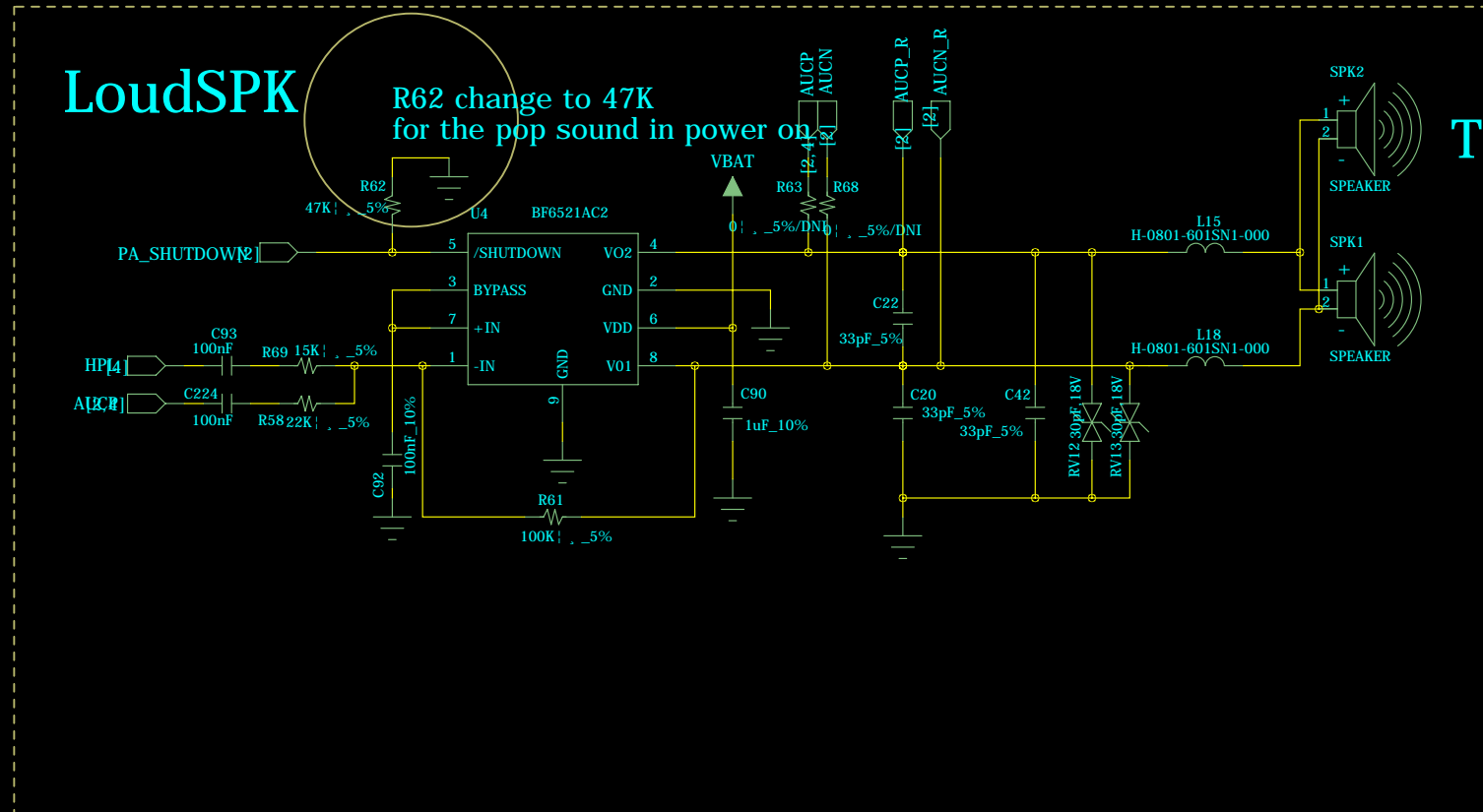
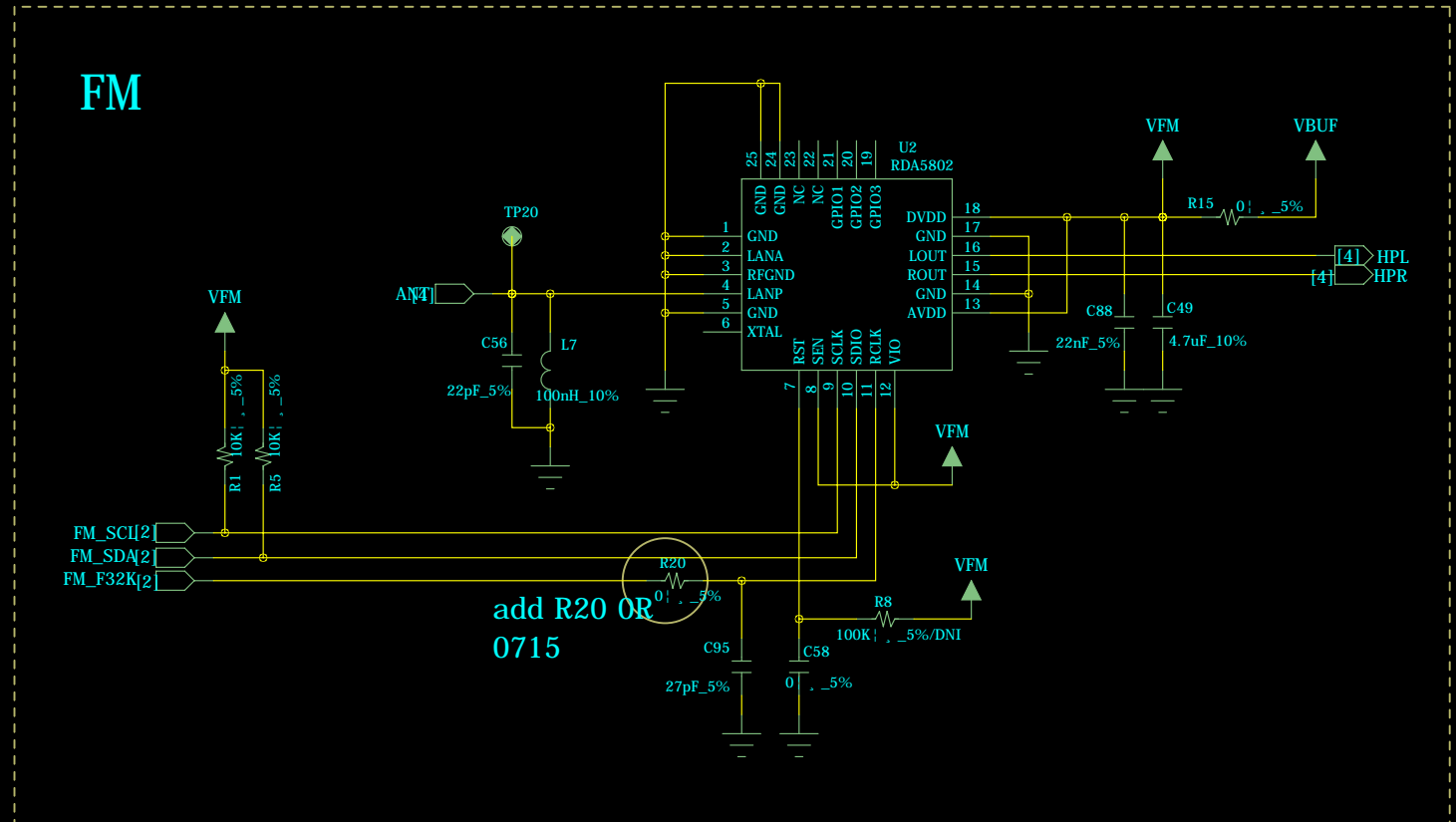
C

B

B

A

A



COMPANY:		HEXINGCOM	
TITLE:		04_FM/USB	
DRAWN: Leidajjun	DATED: <undefined>	SIZE: A2	REV: V0.1
RELEASED: <Released By>	DATED: <Release Date>	SHEET: 4 / 5	

6

5

4

3

2

1

D

D

C

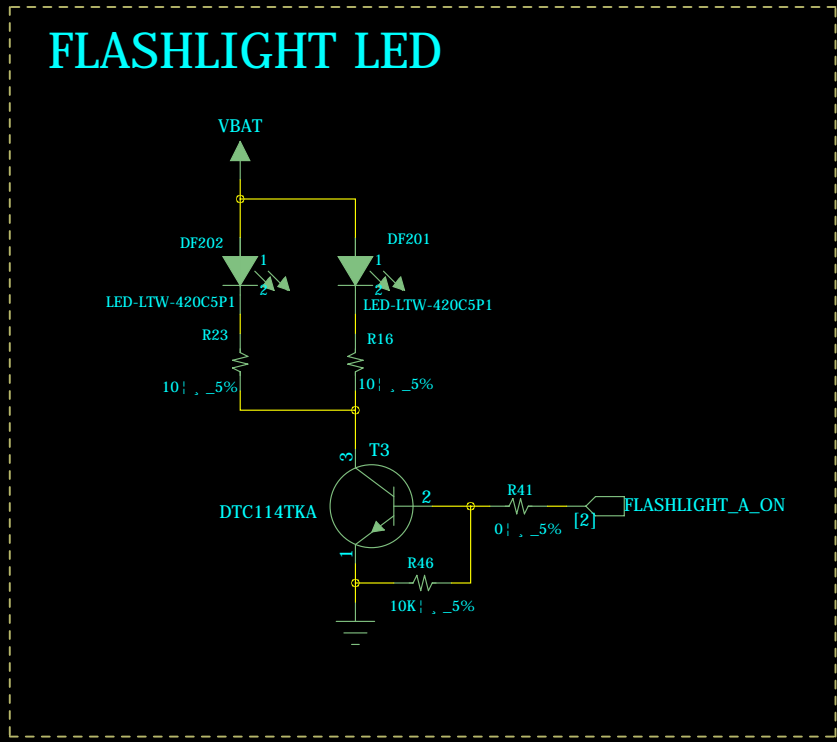
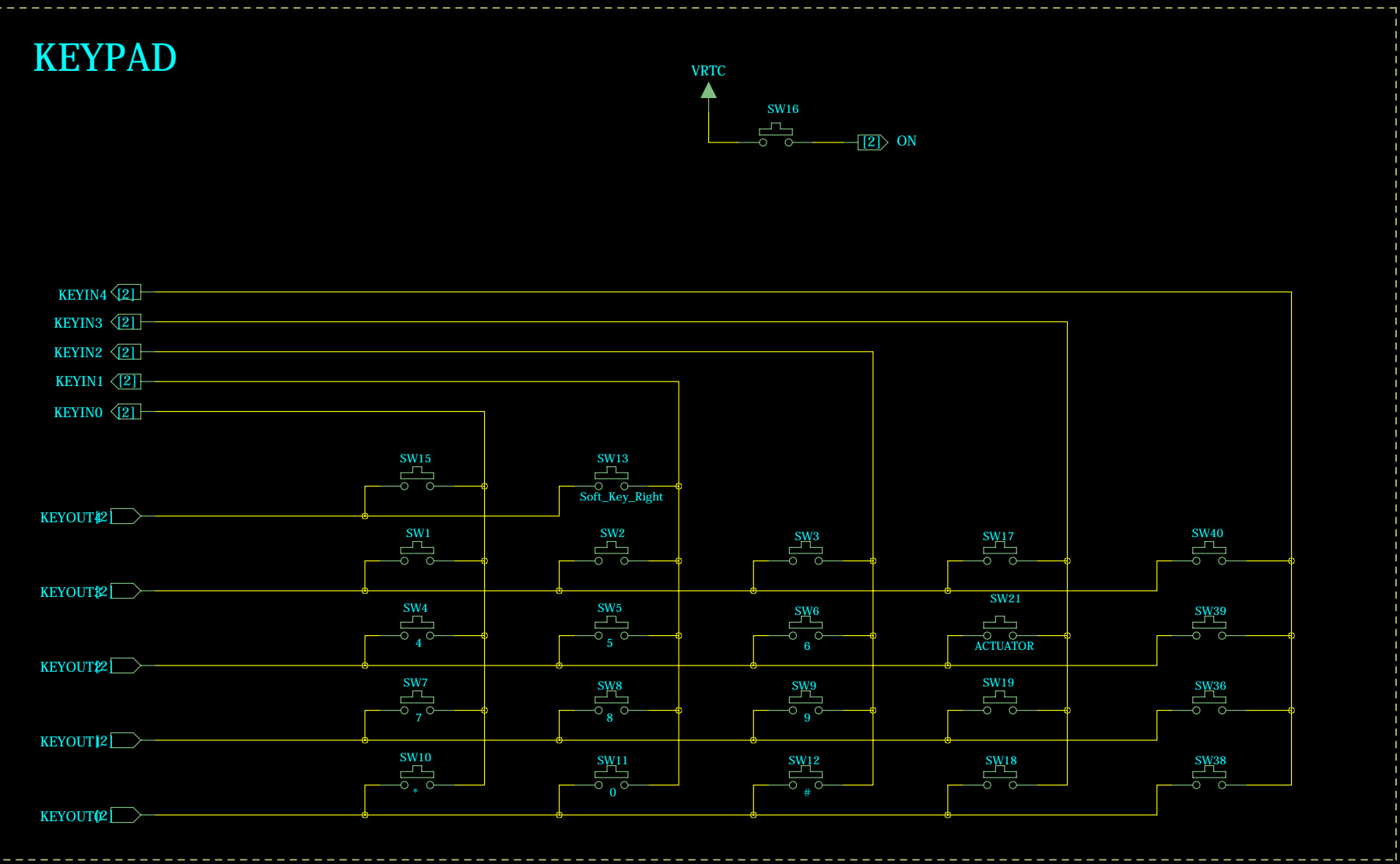
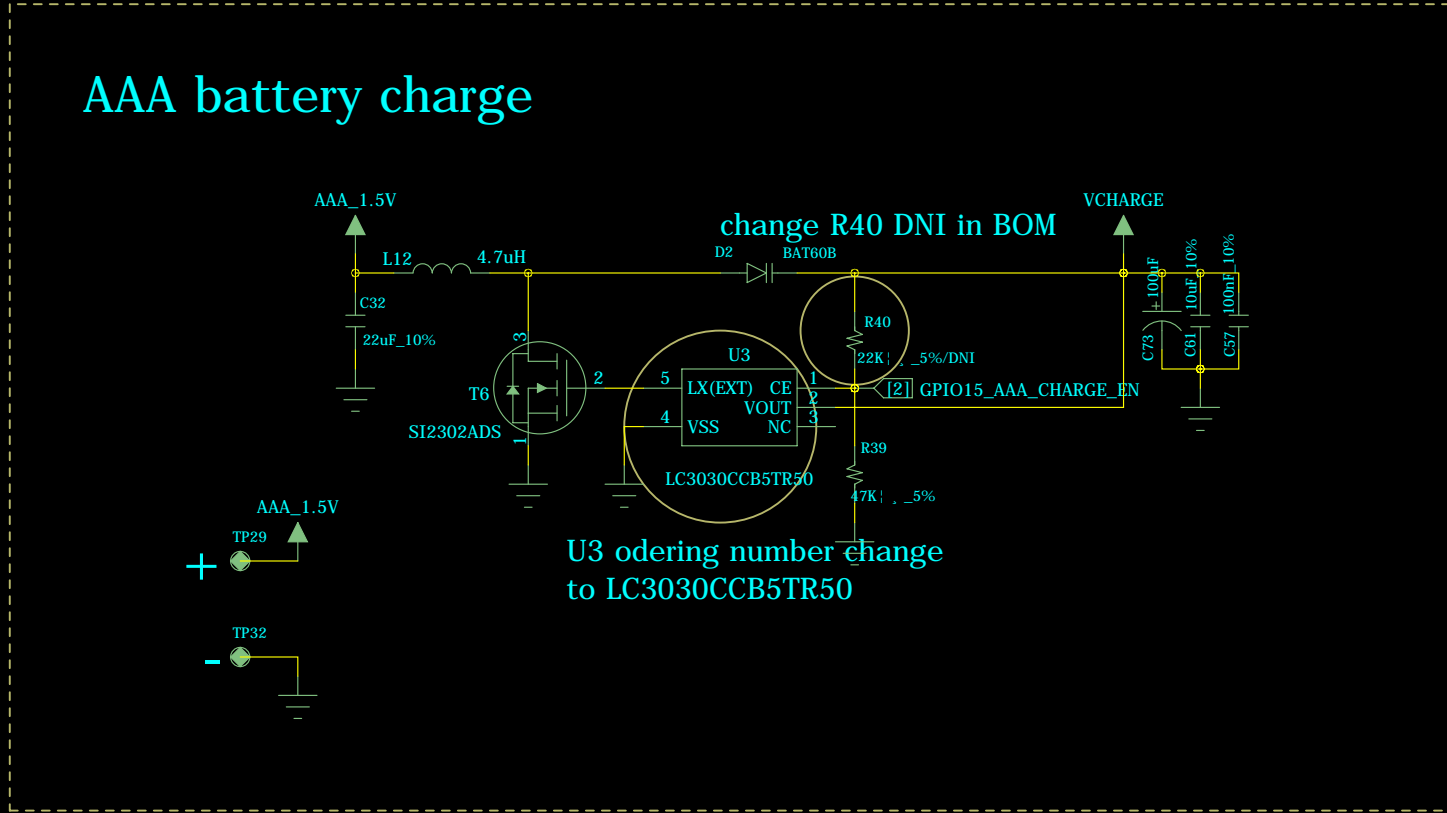
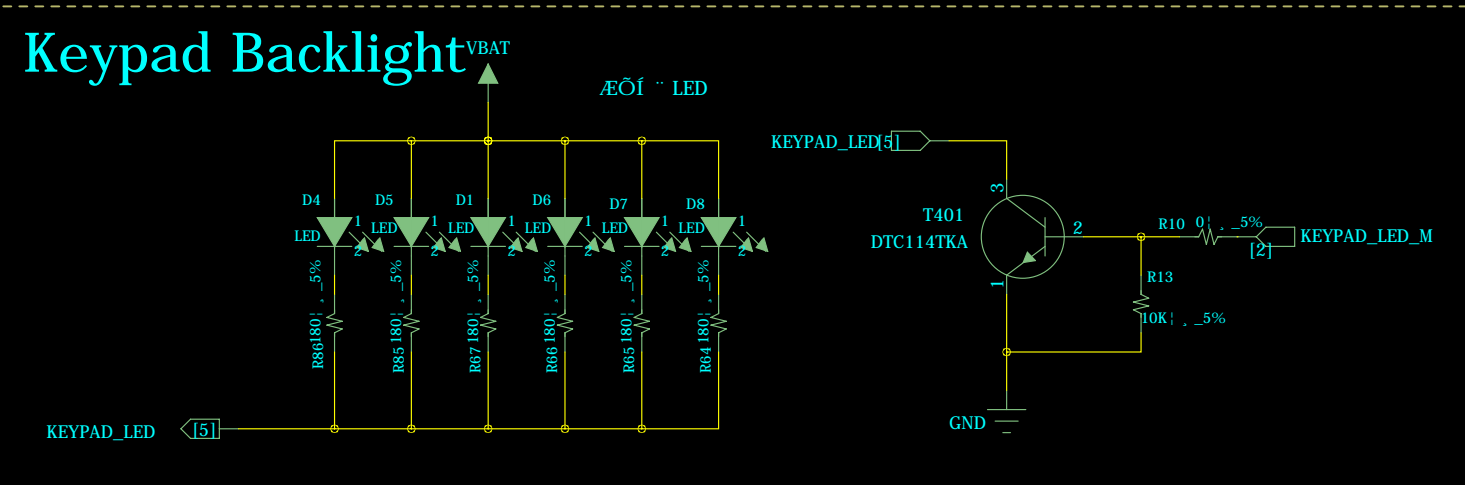
C

B

B

A

A



COMPANY: HEXINGCOM			
TITLE: 05_KEYPAD/AAA_CHARGER			
DRAWN: Leidaijun	DATED: <undefined>	SIZE: A2	REV: V0.1
RELEASED: <Released By>	DATED: <Release Date>	SHEET: 5 / 5	