

User Manual

Kyt-tv

Table of Contents

1 General Information.....	4
1.1 Brief 4	
1.2 Safety Precautions.....	4
1.3 General precautions.....	4
1.4 Precautions for mobile phone use	5
1.5 Precautions for battery usage	5
1.6 Precautions for usage of charger	6
1.7 Cleaning and Maintenance.....	6
1.8 General Precautions	7
2 Before Use.....	7
2.1 SIM card.....	7
2.1.1 Insert and pull out the SIM card.....	7
2.2 Battery.....	8
2.2.1 Pull out and install the battery.....	8
2.2.2 Charge the Battery.....	9
2.3 Power on	10
2.4 The use of USB data route	10
2.5 Install and pull out T-flash card.....	10
3 Basic Description.....	11
3.1 About the Keypads.....	11
3.1.1 Basic Keys.....	11
3.2 Call functions	11
3.2.1 Make a call.....	11
3.2.2 Answer a call.....	12
3.2.3 Reject a call.....	13
3.2.4 Menu available during a call	13
3.3 Hand-free function	13
4 Menu Introduction.....	14
4.1 Messaging.....	14
4.1.1 Write message	14
4.1.2. Inbox	14
4.1.3 Drafts.....	15
4.1.4 Outbox.....	16
4.1.5 MMS	17

4.1.6 Broadcast Message.....	18
4.1.7 Templates	19
4.1.8 SMS settings	19
4.2 Phone book.....	19
4.3 Telcel.....	21
4.4 Games	21
4.5 Internet service.....	21
4.6 Call Center	22
4.6.1 Call history.....	22
4.6.2 call settings.....	24
4.7 Multimedia.....	26
4.7.1 Camera	26
4.7.2 Image Viewer	26
4.7.3 Video Recorder.....	26
4.7.4 Video Player.....	27
4.7.5 Audio Player.....	27
4.7.6 Sound recorder	27
4.7.7 FM radio.....	28
4.7.8 Slide show	28
4.8 Settings.....	28
4.8.1 Dual SIM Settings	28
4.8.2 Phone Settings.....	29
4.8.3 User profiles.....	29
4.8.4 Network Settings.....	30
4.8.5 Security Settings	31
4.8.6 Connectivity.....	32
4.8.6.1 Bluetooth.....	32
4.8.6.2 Data Account.....	32
4.8.6.3 Services	33
4.8.7 Restore Factory Settings	33
4.9 Organizer.....	33
4.9.1 Calendar	33
4.9.2 Tasks.....	34
4.9.3 Alarm.....	34
4.9.4 World clock	34
4.10 Applications	35
4.10.1 Calculator.....	35
4.10.2 Currency converter.....	35
4.10.3 Stopwatch.....	35
4.11 Ideas	35
4.12 File manager.....	35
5 Operation Instructions on Chinese and English Input.....	36
6 Common Problems.....	36

6.1 When the mobile phone displays “Insert SIM”?	36
6.2 Checking and precautions of PIN, PIN2, PUK, PUK2 and password:.....	36
6.3 Network connection fails	37
6.4 You can't be heard.....	37
6.5 Can't charge the battery	37
6.6 Weak signal	37
6.7 Can't make a call.....	37
6.8 Standby time becomes short.....	37

1 General Information

1.1 Brief

Thank you for selecting this series colored screen mobile phone.

Before installing and using the product, be sure to carefully read all the materials accompanying the mobile phone. This will help you to better use the mobile phone, get an overall idea about the use, and understand the perfect functions and the short-cut operating methods.

This colored screen mobile phone is designed for the GSM /GPRS network environment. In addition to the basic call function, it also provides you many practical functions for your work and leisure, such as Dual Card Mode , name card phone book, chord ring, clock/ alarm clock, Bluetooth , FM, unit conversion, calculator, games, Mp3 player, Mp4 player, the mobile phone adopts the personalized human-machine interface and the perfect function design can satisfy your different requirements.

**Note: Take the mobile phone as standard if the contents in this manual are different from those in your mobile phone.*

Our Company shall reserve all the rights to modify the content of the manual without any notice in advance.

1.2 Safety Precautions

- If your mobile phone is lost or has bug, please inform the telecommunication department or the distributor to prevent use of your mobile phone or SIM Card without authorization. Thus you avoid the economic loses brought by the false phone call.
- When you contact the telecommunication department or the distributors, they need to know the IMEI code of your mobile phone (the label stickled on the back of your mobile phone. You can get it after pulling down the battery). Please keep the code with care for future use.
- Please adopt the preventive measures to avoid the misuse of the mobile phone, for instance:
 - Properly set your mobile phone's SIM card and the PIN code and change the codes on time before others know them.
 - When you leave your car, DO NOT leave your mobile phone at the place that is easily to be seen. You'd better take it along with yourself or lock it in the luggage.
 - Set up the call barring.

1.3 General precautions

- Your mobile phone can only use the battery and charger specified by our Company. Any other products may cause a battery leakage, overheat, burst or fire.
- DO NOT impact, shake or toss your mobile phone violently so as to avoid the malfunction and fire occurring to the mobile phone.
- DO NOT leave your battery, mobile phone or charger in the oven or the high voltage equipment; otherwise, accidents, such as circuit damage or a fire may take place to your mobile phone.
- DO NOT use your mobile phone at the place with inflammable and explosive gases; otherwise, malfunction and fire may take place to your mobile phone.
- DO NOT place your mobile phone in the places with high temperatures or a great deal of dust; otherwise, your

mobile phone failure may happen.

- Please leave your mobile phone at place out of the children's reach, because the children may regard it as a toy and cause physical injury.
- DO NOT leave your mobile phone on uneven or unsteady surfaces so as to prevent it from falling, causing a failure or a damage.

1.4 Precautions for mobile phone use

- Please power off your mobile phone where mobile phone use is forbidden, e.g. on the plane or in the hospital. The mobile phone may influence the normal working of the electronic equipment or the medical equipment. In case of using the mobile phone at those places, please follow the relevant rules or regulations. The headset has a time power on/off function and you are required to ensure that the mobile phone will never time power on automatically during the course of the flight.
- DO NOT use your mobile phone near the weak signal equipment or the highly sophisticated electronic equipment. Radio wave interference may cause malfunction of the electronic equipment or other failures. Attentions should be paid especially to the following equipment: hearing aid, pacemaker & other medical electronic equipment, fire detector and other automatic control equipment. Please consult the equipment manufacturer or the local distributor for the influence of the mobile phone to the pacemaker or other medical electronic equipment.
- DO not press the LCD screen or strike any other objects with it, otherwise, a damage and leakage may take place to the LCD. If the liquid comes to your eyes, there will be a danger of blindness. In such a case, wash your eyes with water (Note: DO NOT rub your eyes) and then go to the hospital for medical treatment.
- DO NOT disassemble or remount your mobile phone; otherwise, a damage, creepage and circuit failure will be likely to occur to your mobile phone.
- In a few circumstances, when the mobile phone is used in the cars of some models, the electronic equipment in the auto will be affected by it. In such cases, DO NOT use your mobile phone so as to ensure the safety.
- Please DO NOT press the keys with sharp things, such as needle or stylus; otherwise damage or mis-operation may occur to the mobile phone.
- If the antenna is damaged, DO NOT use your mobile phone; otherwise, it may cause a physical injury.
- Keep the mobile phone far away from the magnetic objects, such as the magcard, for the radiation may clear the information on the floppy disk, store value card and credit card.
- Please keep the tiny things, such as thumb pin away from the handset of the mobile phone. During working the speaker has magnetism, which may magnetize those tiny metal pieces and therefore causes a physical injury to human or damage to the mobile phone.
- Keep the mobile phone from wetting, for water and other liquids coming to your mobile phone may cause overheat, leakage or malfunction to the mobile phone.

1.5 Precautions for battery usage

- DO NOT throw the battery into the fire; or it may cause a fire and burst.
- When installing the battery, DO NOT press the battery forcibly; or it may cause a leakage, overheat, burst or fire.
- DO NOT use the electric wire, needle or other metals to make a short circuit or do not leave the battery with such metals as necklace; otherwise it may cause a battery leakage, overheat, burst or fire.
- DO NOT weld the ends of the battery; or it may cause a leakage, overheat, burst or fire.
- If the battery electrolyte enters the eyes, there is a possibility of blindness. In such case, DO NOT rub your eyes.

Please wash the eyes with clear water and then go to the hospital for medical treatment.

- DO NOT disassemble or remount the battery or it may cause a leakage, overheat, burst or fire to your mobile phone.
- DO NOT use or place your mobile phone in the high-temperature places, such as by the side of the fire or the heater; or it may cause a leakage, overheat, burst or a fire to your mobile phone.
- If there is a temperature rise, color change or a deformation during the course of the usage, charging or storage, please stop using the battery and change for a new battery.
- If the battery electrolyte comes into contact with skin or clothes, it may cause the skin burnt. In such a case, wash the skin and clothes immediately and then go to the hospital at once.
- If the battery electrolyte leaks or sends off an odd smell, please take it away from the flammable fire so as to avoid fire or burst.
- Keep the battery from wetting; or it may cause overheat, smoke or erosion to the battery.
- DO NOT use or keep the battery where the sunlight shoots from a right angle or near the car; or it may cause overheat or leakage to the battery, which may lower the performances and shorten the service life of the mobile phone.
- DO NOT continuously charge the battery for more than 24 hours.

1.6 Precautions for usage of charger

- Please use 220V alternative current; or it may cause leakage, fire or damage to the charger.
- Short circuit of the charger is forbidden; or it may cause an electric shock, smoke or damage to the charger.
- DO NOT use the charger when the power supply wire is damaged; or it may cause a fire or an electric shock.
- Please clean the accumulated dust covering the power socket.
- DO NOT leave the water container near the charger so as to avoid water from spilling to cause overheat, leakage or failure to the charger.
- If the charger contacts water or any other liquids, pull out the power plug from the socket immediately so as to avoid overheat, fire or failure to the charger.
- DO NOT disassemble or remount the charger or it may cause a physical injury, an electric shock, a fire or damage to the charger.
- DO NOT use the charger in the bathroom or it may cause an electric shock, fire or charger to the charger.
- DO NOT touch the charger, wire or power supply socket with a wet hand; or it may cause an electric shock.
- DO NOT place the heavy object on the power supply wire or refit the wire; or it may cause an electric shock or fire.
- Before cleaning and maintenance, pull out the plug from the power supply socket.
- Hold the charger when pulling out the plug from the socket, for pulling the cable may cause damage to the wire, an electric shock or fir

1.7 Cleaning and Maintenance

- The mobile phone, battery and charger have no waterproof performance, so please DO NOT use them in the environment with a high temperature, such as bathroom, and avoid being damped by rain as well.
- Please use the soft and dry cloth to clean the mobile phone, battery and charger.
- DO NOT use solvents, such as alcohol, thinner or benzene to clean the mobile phone.
- The plug with dirt is most likely to cause contact failure and power down so that the mobile phone can not be recharged. Hence please clean the mobile phone regularly.

1.8 General Precautions

- Mobile phone
- Please use the mobile phone under the temperature ranging from 50C to 400C with a humidity ranging from 35% to 85%.
- When using the mobile phone, keep as far as possible away from the general phone, TV, radio and office automatic equipment so as to avoid affecting the normal performance of the equipment and the mobile phone.
- Battery
- The battery should be left in place where the sunlight shoots from indirect angles and the ventilation is good.
- The service life of the battery is limited. The service time of the battery is shortened with the frequent charging. When it is of no effect to charge for several times, it only means that the battery is exhausted and the mobile phone should be replaced with a new battery of the specified mode.
- DO NOT throw the old battery into the domestic rubbish. Dispose the exhausted battery according to provisions specified by relevant authorities.
- Charger
- DO NOT charge the battery in the places where the sunlight shoots from right angles; the ambient temperature is lower than 50C or higher than 400C; the place is damp or dusty or of too much vibration (failure may occur); the location is near the electronic appliances, such as TV, radio etc.(image or sound may be probably affected)

2 Before Use

2.1 SIM card

Before using the mobile phone, you should insert the valid SIM card, which is the key for you to enter the GSN network.

All the information related to the creation of the connection to the network and initial call records will be recorded in the metal plane area of the SIM card as well as the names, telephone numbers and SMS stored in the phone book on the SIM card. The SIM card can be taken out from your mobile phone and can be placed in any one of the GSM mobile phones for use (the new mobile phone will read the SIM card automatically).

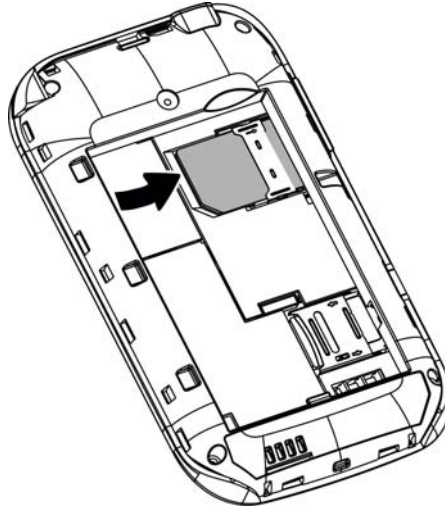
To prevent losing and damaging of the information in the SIM card, please DO NOT touch the metal plane area and the SIM card should be kept far away from electromagnetism. Once the SIM card is damaged, you can not enter into the GSM network.

****Note: Please do power off your mobile phone before pulling out the SIM card. It is forbidden to insert or pull out the SIM card with the mobile phone connected to the external power supply; otherwise, the SIM card is most likely to be damaged.***

2.1.1 Insert and pull out the SIM card

- The SIM card is generally placed in a card. Before installation, take cautions to take out the SIM card.

- Power off your mobile phone and then remove the battery and other external power supply.
- Insert the SIM card into the SIM card slot.
- When you need to pull out your SIM card, please power off your mobile phone firstly, remove the battery, pull out your SIM card

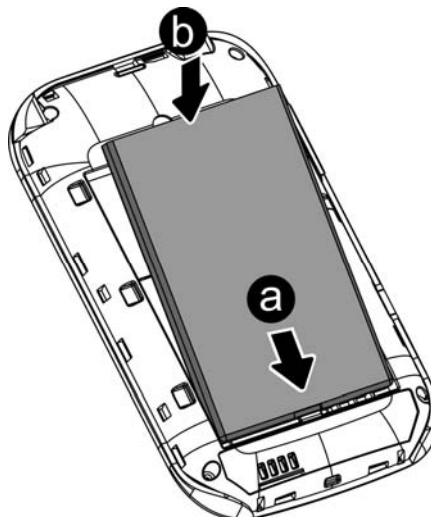


2.2 Battery

- The initial battery is of 50% charge, so it can be used right after being unpacked. The new battery should be charged at least for 14 hours. Only when the initial battery is exhausted thoroughly (the electricity quantity runs out and the mobile phone can not power on) can the battery be fully recharged for use, so does the second time charging. Only when recycled for three times in this way can the battery works in the best condition easily.

2.2.1 Pull out and install the battery

- Follow the following steps to pull out the battery: ① Push the back cover upwards; ② Pull the battery upwards and get it out.
- Follow the following steps to install the battery: ① Insert the battery into the battery slot; ② Push down the back cover until it is held tightly.



2.2.2 Charge the Battery

- Connect the batter charger to a power supply;
- Insert the plug of the battery charger into the right side of the mobile phone (note: with arrow face upwards).
- Then the power quantity indicator in the upper right corner of the mobile phone screen will flicker. If the phone has been powered off, the screen will display “charging” and this indicates that the battery is being charged. If the phone is still in use despite of lack of power, the power indicator may take some time to appear on the screen.
- If the power indicator is full and stops to flicker, this means that the charge has been finished. This process often takes 3 to 4 hours. It is normal that, during charge, the battery, mobile phone and battery charger become hot.
- After the charge is completed, please disconnect the AC power supply socket and the mobile phone with the battery charger.

***Note:**

--During the charge, the handset should be placed where the ventilation is good and the temperature is between $+5^{\circ}\text{C}$ to $+40^{\circ}\text{C}$. In addition, you should use the charger provided by the manufacturer, for the unauthenticated chargers may cause danger and disobey the recognition and maintenance clauses of this mobile phone.

--When your mobile phone automatically powers off or displays the warning of “Low Power”, you should charge the battery in time. In case the battery has not run out before charge, the mobile phone will shorten the charge time automatically.

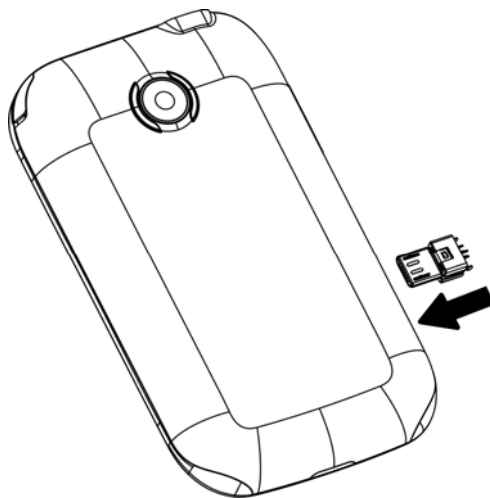
--The standby time and call time provided by the manufacturer is based on the ideal working environment. During the practical use, the battery’s service time changes with the network condition, working environment and use mode used.

--Before charging the battery, please make sure that the battery is properly inserted and it is forbidden to take it down during charging. .

--When charge is over, please disconnect the charger with the mobile phone and the battery.

If you do not disconnect the charger with the power supply and the mobile phone, after a long time (about 5 to 8 hours), the power of the battery will drop to a certain level and the mobile phone will resume charge once again. We do not recommend you to do so, for this will affect the performance and service life of the battery.

--This mobile phone does not support USB port, so you can not connect your mobile phone with PC through USB, it just use to charging the battery.



2.3 Power on

- Long press Hang Up key to power on the mobile phone and also long press the Hang Up key to power off your mobile phone.
- If you power on the mobile phone without inserting the SIM card, the mobile phone will prompt you to insert the SIM card. After the SIM card is inserted, the mobile phone will automatically check whether the SIM card is ready for use or not.
- Then the screen will give the following prompts:
 - -Input PIN (If you have set password for SIM card) (Please refer to the section 4.8.5. “security settings” for detail operations)
 - -Input the mobile phone’s password (if you have set the lock-code) (Please refer to the section 4.8.5. “security settings” for detail operations)
- When the SIM card is successfully decoded, the mobile phone will automatically search the available network (the screen displays “search network”)
- Once established connection, the name of the network supplier will appear on the top of the screen. This means that the mobile phone is in “standby” mode and it is available for used.

**Note: If the screen prompts “Emergency”, this means that you are out of the normal network scope (service scope), but you can still make the emergency call according to the signal intensity.*

2.4 The use of USB data route

The method of using USB data route: Input one of the port into the computer, and then input the other port to the phone, after that you can transfer the data between the computer and the phone. When you are charging, the icon for the charge is moving. If the charging is finished, the icon will stop moving. You can use the phone as a U disk after the phone power off.

The phone supports the USB, you can copy and move the file between the phone and the computer after you link the USB with the computer. You can view the information in the T-Flash card.

**Note:*

--Please power off the phone before you connect the phone with the computer, after the phone connecting up, you will find information of the USB on the computer, and then you can read the file into my computer. If there is not information, you must check your phone’s USB port and insert it again.

--If you connect the phone with computer when the phone is powering on, there are three items displaying on the phone, you should select the “mass storage”, and then you can copy or move the file between the phone and the computer.

--After that, you need double click the USB icon in the right corner of the computer, and then select “stop”, now you can withdraw the USB from the computer and the phone. DO not withdraw the USB from the computer directly, or the data in the T-flash card will be lost, and it can also damage the phone.

You must do it on the computer which is the Windows2000 or SP2.

2.5 Install and pull out T-flash card

This mobile phone supports T-flash card, which is a kind of multimedia memory card used to increase memory of the mobile phone. It is so small that you should take cautions to install or pull it out in order to avoid damage. The method to

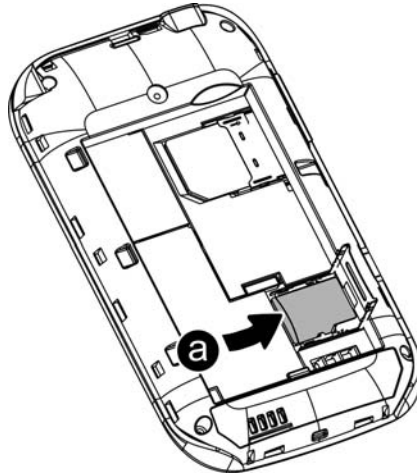
install/ pull out T-flash card:

1. Power off the mobile phone, set memory card with the metal face downward to the memory card slot.

To pull out the memory card, power off the mobile phone, take out the T-flash.

**Note: The mobile phone does not support hot-plug function of T-FLASH in “power on” mode. Only when the mobile phone is powered off can T-FLASH be pulled out. Restart up and T-FLASH will come into effect.*

When using or editing files stored in the memory card, DO NOT pull out the memory card.



3 Basic Description

3.1 About the Keypads

3.1.1 Basic Keys

- Left soft key: Execute the function indicated on the bottom left screen. **In standby interface, press it can back to main manu.**
- Right soft key: Execute the function indicated on the bottom right screen.
- **OK key: Confirm key.**

3.2 Call functions

- When the logo of the network service provider appears on the screen, you then may make or answer a call. The info bar implicates the signal intensity on the top left screen (the 4-scale info bar means the signal is the strongest).
- Call quality performs variedly under the influence of the obstacles. Therefore the movement in a small scope may improve the signal intensity effectively.

3.2.1 Make a call

- Domestic call:

- You can input the telephone number via **Analog Keyboard** to input the telephone number you want. Press the dial key. If you need to change the telephone number, press the right soft key to delete the inputted characters. During the dialing, the screen will display a “dialing” cartoon. The screen will display the call status information. If the answering tone is switched on, there will be a warning tone.
- When the call ends, please press Hand-up key to end the call.
- zone code + dial number + Dial key
- Dial the extension to a fixed phone:
- Because some of the extensions to the fixed phones can not be got through directly, you need to dial the switchboard and then the extension to the fixed phone. When you input the telephone number, if insert character “P” between the switchboard number and the extension number, the mobile phone will complete all the dialing for you, i.e. automatically dial the extension and get through. Input character “P” as below: Long press “*” key (“P” will appears on the screen).
- Zone code+ switchboard number+ P + extension number + dial key
- International call:
- To make an international call, long press “*”key until the international long distance call prefix symbol “+”appears on the screen. This allows you dial in any country even if you do not know the local international call prefix (e.g. it is 00 in China).
- After the prefix is input, enter the zone code of the country you want and the complete dial number. The zone code is usually subject to conventions, 49 for Germany, 44 for U.K. and 46 for Sweden, etc.
- Like dialing a long distance call, “0” in the city code should be dropped when dialing.
- E.g. To dial the service hot line of other countries, you should dial:
- +86 21 114
- +country code+ the complete dial number+ dial key
- Emergency call
- If your mobile phone is within the network coverage (you can check the network signal intensity bar on the top left corner of the screen), you will be able to make an emergency call (the emergency call can be made without the SIM card). If the network supplier provides no roaming service in the region, “Emergency Call” will appear on the screen to tell you that you can only make this kind of calls.

3.2.2 Answer a call

- In a normal condition, when there is an incoming call, press the dial key to answer the call.
- If the “any key for answer” is set on, then you can press any key to answer the call.
- If the handset is inserted, you can also press the keys on the handset to answer a call. If it is not convenient, you can set “auto answer” to on and make sure that the handset is inserted. The call will be automatically got through after two seconds’ ringing or vibration.

3.2.3 Reject a call

- When there is an incoming call, press Hang-Up key to reject the call.

3.2.4 Menu available during a call

- During a call, you can press Option key to enter call menu. The operation method of the call menu is the same with that of the function menu.
- The call menu can only be seen during a call. Besides, functions, such as call waiting, holding on a call, and multiparty meeting, need to be supported by the network. Please contact with your network provider.
- In the call menu, you can do the operations as follows:
 - Hold single call: hold on the current call or restore the held call.
 - End single call: end the current call.
 - New call: make a new call.
 - Phonebook: enter the phone book menu.
 - Messaging: enter the Message menu.
 - Sound recorder: record the call voice.
 - Mute: do not send/ restore sending of local voice.
 - DTMF: Enable or disable DTMF (dual-tone multi-frequency).
 - Multiparty conversation
 - Swap: switch the holder with activator
 - Conference: start a telephone meeting.
 - End Single call: end the currently activated call.
 - End all calls: end all calls of the conference.
 - Transfer: transfer current call to another mobile phone.
 - New call: make a new call.
 - Phonebook: enter the phone book menu.
 - Messages: enter the Message menu.
 - Sound recorder: record the call voice.
 - Mute: do not send/ restore sending of local voice.
 - DTMF: Enable or disable DTMF (dual-tone multi-frequency).

**Note. Some of the menus only appear in the specific circumstances, e.g. “Swap” only appears “during a call” and “hang up” call.*

3.3 Hand-free function

- When you make a call, press the Right Soft Key to have a Hand-Free call.

4 Menu Introduction

4.1 Messaging

- The message services can only be used if they are supported by your network or your service provider and you have subscribed to them. Also appropriate settings need to be in place.

Note: When sending messages, your phone may display the words **Message sent. This is an indication that the message has been sent by your device to the message centre number programmed into your device. This is not an indication that the message has been received at the intended destination. For more details about messaging services, check with your service provider.*

4.1.1 Write message

Write Message: access submenu “Write Message” to input short message.

-----Send to: send the message with SIM1 or SIM2. Choose this option to access recipient edit box, and you can press number keys to input telephone number or press Search to bring out Contacts and choose a number and then press OK to send.

-----Input method: Change the input method when editing message.

-----Insert: insert preset message, Idiograph, Business card, template, object and bookmark into the message.

-----Schedule send: Edit message and number, send this message in appoint time and date(By SIM1 or SIM2).

-----Save to Drafts: Not send this message, just store it. (By SIM1 or SIM2).

** Note: Short message centers in some cities and areas don't support long short messages of more than 160 English characters.*

4.1.2. Inbox

- View received messages of SIM1 or SIM2. When the messages list of Inbox appears, you can press OK to read the message. You can press Option to perform the following operations.

-----Reply: reply the sender with SIM1 or SIM2.

----- Call sender: call the number of the sender.

-----Forward: forward this message with SIM1 or SIM2.

-----Delete: delete this message.

----- Use number: pick up the numbers with 3 or more digits in the messages. You can call these numbers, send message to them, or save them in Contacts.

-----Advanced

✧ Use URL: pick up the web address in the message and connect to it.

✧ Use USSD: pick up the numbers with 1 or 2 digits in the messages.

✧ Copy to phone/SIM: copy this message to phone or SIM card.

✧ Move to phone/SIM: move this message to phone or SIM card.

- Press Option to perform the following operations.

-----View: View the details of the message.

-----Reply: reply the sender with SIM1 or SIM2.

- Call sender: call the number of the sender.
- Forward: forward this message with SIM1 or SIM2.
- Delete: delete this message.
- Delete all: delete all the messages in Inbox.
- Save to Phonebook: Choose the number of the message to Phonebook.
- Mark several: Select one or more messages to be labeled
- Mark: Press OK to mark the message. You can press Option to perform the following operations.
 - ✧ Delete: delete the message marked.
 - ✧ Copy to phone/SIM: copy the message marked to mobile phone or SIM card.
 - ✧ Move to phone/SIM: move the message marked to mobile phone or SIM card.
 - ✧ Unmark: cancel the message marked.
 - ✧ Mark all: Select all messages to be labeled.
 - ✧ Unmark all: cancel all messages to be labeled.
- Mark all: select all messages to be labeled.
 - ✧ Delete: delete the message marked.
 - ✧ Unmark: cancel the message to be labeled.
 - ✧ Unmark all: cancel all messages to be labeled.
- Advanced:
 - ✧ Copy to phone/SIM: copy this message to mobile phone or SIM card.
 - ✧ Move to phone/SIM: move this message to mobile phone or SIM card.
 - ✧ Copy all: copy all the messages saved in SIM card or mobile phone.
 - ✧ Move all: move all the messages saved in SIM card or mobile phone.
- Delete same number message: Delete all message with same number.
- Add to sms black list: Add the number to message black list.

4.1.3 Drafts

- Save messages which will be sent later. When the messages list of Drafts appears, you can press OK to read the message. You can press Option to perform the following operations:
 - Send: send the message with SIM1 or SIM2.
 - Edit: pick up and edit the contents of the message.
 - Delete: delete the message.
 - Advanced:
 - ✧ Use number: pick up the numbers with 3 or more digits in the messages. You can call these numbers, send message to them, or save them in Contacts.
 - ✧ Use URL: pick up the web address in the message and connect to it.
 - ✧ Use USSD: pick up the numbers with 1 or 2 digits in the messages.
 - ✧ Copy to SIM / phone: copy this message to mobile phone or SIM card.
 - ✧ Move to SIM / phone: move this message to mobile phone or SIM card.
- Press Option to perform the following operations.
 - View: View the details of the message.
 - Send: add contact send this message.
 - Edit: pick up and edit the contents of the message.
 - Delete: delete the message.

-----Delete all: delete all the messages in Drafts.

-----Mark several: Select one or more messages, and mark.

➤ Mark: Press OK to mark the message. You can press Option to perform the following operations

- ✧ Delete: delete the message marked.
- ✧ Copy to phone/SIM: copy the message marked to mobile phone or SIM card.
- ✧ Move to phone/SIM: move the message marked to mobile phone or SIM card.
- ✧ Unmark: cancel the message marked.
- ✧ Mark all: Select all messages to be labeled.
- ✧ Unmark all: cancel all messages to be labeled.

➤ Mark all: select all messages to be labeled.

- ✧ Delete: delete the mark message.
- ✧ Unmark: cancel the message marked.
- ✧ Unmark all: cancel all messages to be labeled.

-----Advanced:

- ✧ Copy to phone/SIM: copy this message to mobile phone or SIM card.
- ✧ Move to phone/SIM: move this message to mobile phone or SIM card.
- ✧ Copy all: copy all the messages saved in SIM card or mobile phone.
- ✧ Move all: move all the messages saved in SIM card or mobile phone.

4.1.4 Outbox

➤ View sent messages of SIM1 or SIM2. When the messages list in Outbox appears.

➤ You can press OK to read the messages. You can press Option to perform the following operations:

-----Forward: forward this message with SIM1 or SIM2.

-----Delete: delete the message.

-----Delete all: delete all the messages in Outbox.

-----Advanced:

- ✧ Use number: pick up the numbers with 3 or more digits in the messages. You can call these numbers, send message to them, or save them in Contacts.
- ✧ Use URL: pick up the web address in the message and connect to it.
- ✧ Use USSD: pick up the numbers with 1 or 2 digits in the messages.
- ✧ Copy to SIM / phone: copy this message to mobile phone or SIM card.
- ✧ Move to SIM / phone: move this message to mobile phone or SIM card.
- ✧ Press Option to perform the following operations.

-----View: View the details of the message.

-----Forward: forward this message with SIM1 or SIM2.

-----Delete: delete the message.

-----Delete all: delete all the messages in Drafts.

-----Mark several: Select one or more messages to be labeled.

➤ Mark: Press OK to mark the message. You can press Option to perform the following operations

- ✧ Delete: delete the mark message.
- ✧ Copy to phone/SIM: copy the mark message to mobile phone or SIM card.
- ✧ Move to phone/SIM: move the mark message to mobile phone or SIM card.

- ✧ Unmark: cancel the message marked.
- Mark all: Select all messages to be labeled.
- ✧ Unmark all: cancel all messages to be labeled.
- ✧ Mark all: select all messages to be labeled.
- ✧ Delete: delete the message marked.
- ✧ Unmark: cancel the message marked.
- ✧ Unmark all: cancel all messages to be labeled.

-----Advanced:

- ✧ Copy to phone/SIM: copy this message to mobile phone or SIM card.
- ✧ Move to phone/SIM: move this message to mobile phone or SIM card.
- ✧ Copy all: copy all the messages saved in SIM card or mobile phone.
- ✧ Move all: move all the messages saved in SIM card or mobile phone.

4.1.5 MMS

MMS includes text, picture and audio. With Multimedia Messaging Service (MMS), you can not only send or receive pictures and text, but also receive the audio files attached in the message and enjoy its abundant contents. With color screen, MMS brings you bright color and vivid A/V experience.

This mobile phone supports receiving and sending MMS up to 97KB and can't receive those beyond this limitation.

It supports MMS of multiple pages, i.e. each page contains a picture, a piece of music and text, and the MMS is made up of several pages of this type. If the MMS contains picture, the mobile phone will adjust the picture automatically to make it displayed on the screen.

* Note: This function needs to be supported by network operator.

- Write Message: Create a new multimedia message. You need to input the Recipient, Cc, Bcc, Subject and Content.
- Inbox: view received multimedia messages. (The operation is same as Inbox of SMS)
 - View: view the multimedia message.
 - Reply: reply to sender in MMS.
 - Reply by SMS: reply to sender in MMS.
 - Reply all: reply all the senders in MMS.
 - Forward: forward the multimedia message to other recipients.
 - Delete: delete this multimedia message.
 - Delete all: delete all messages in Inbox.
 - Properties: view details of the multimedia message, including Sender, Subject, Date, Time and Size.
 - Use details: pick up numbers with 3 or more digits and the web address in the multimedia message. You can call the numbers or save them in Contacts, and access the web address.
- Outbox: Save multimedia messages that haven't been sent. (The operation is same as Outbox of SMS)
 - View: view the multimedia message.
 - Forward: forward the multimedia message to other recipients.
 - Edit: edit the multimedia message.
 - Delete: delete this multimedia message.
 - Delete all: delete all multimedia messages in Outbox.

- Properties: view details of the multimedia message, including Recipient, Date, Time and Size.
- Use details: pick up numbers with 3 or more digits and the web address in the multimedia message.
You can call the numbers or save them in Contacts, and access the web address.
- Drafts: Save multimedia messages which will be sent later. The messages are saved in Outbox after sending.
 - View: view the multimedia message.
 - Send: send the multimedia message.
 - Edit: edit the multimedia message.
 - Delete: delete this multimedia message.
 - Delete all: delete all multimedia messages in Drafts.
 - Properties: view details of the multimedia message, including Recipient, Date, Time and Size.
 - Use details: pick up numbers with 3 or more digits and the web address in the multimedia message.
You can call the numbers or save them in Contacts, and access the web address.
- Templates: default multimedia messages. access Template and view or send the multimedia message.
- MMS Settings: set the parameters of sending and receiving multimedia message.
 - Profiles: select or edit MMS server according to network operator.
 - Common settings:
 - ✧ Compose: enable this function and only the pictures and ring tone that accord with MMS specification can be sent.
 - ✧ Send: set the parameters of sending multimedia message. For example: Validity, Sending Report, Reading Report, Priority, Interval, Sending Time, etc.
 - ✧ Retrieve: set the parameters of receiving multimedia message. For example: home network, roaming network, send reading report, allow sending report, etc.
 - ✧ Filter: filtrate multimedia message.
 - ✧ Memory Status: check the status of mobile phone memory.

4.1.6 Broadcast Message

- SIM1 broadcast message
 - Receive and read the messages from SIM1 Cell Broadcast. The functions are as follows:
 - Receive mode: enable/disable receiving cell broadcast.
 - Read message: read the messages you have received from Cell Broadcast.
 - Languages: select language.
 - Channel settings: Set the channel of cell broadcast, including Select, New, Edit and Delete.
 - SIM2 broadcast message
 - Receive and read the messages from SIM2 Cell Broadcast. The functions are as follows:
 - Receive mode: enable/disable receiving cell broadcast.
 - Read message: read the messages you have received from Cell Broadcast.
 - Languages: select language.
 - Channel setting: Set the channel of cell broadcast, including Select, New, Edit and Delete.
- * Note: In Messaging, if you select “SIM1 only”, only items that relate to SIM1 are displayed, e.g. Voicemail, Cell Broadcast; if you select “SIM2 only”, only items that relate to SIM2 are displayed, e.g. SIM2 Voicemail, SIM2 Cell Broadcast., This function needs to be supported by network operator.**

4.1.7 Templates

- ✧ Templates: Common phrases can be applied in the frequently used information to avoid repeated input when the message is to be sent. They can be edited or deleted.

4.1.8 SMS settings

- SIM1 message settings: perform the following settings to SIM1:
 - Idiograph: edit name and set the auto ideograph is on/off.
 - Schedule send: Edit message and number, send this message in appoint time and date(By SIM1 or SIM2).
 - Profile Setting: select a suitable mode for mobile phone short message. Access the mode and you can set the name, SMS center number, validity and sending format.
 - voicemail server
 - The functions of Voicemail are as follows:
 - ✧ Edit: set the name and telephone number of SIM2 voicemail.
 - ✧ Call voice mail: dial and connect to Voicemail.
 - Common Settings: set whether enable message report or reply path.
 - Memory status: view the status of SIM1 or mobile phone memory.
 - Preferred Storage: save messages in mobile phone or SIM1.
- SIM2 message settings: perform the following settings to SIM2:
 - Idiograph: edit name and set the auto ideograph is on/off.
 - Schedule send: Edit message and number, send this message in appoint time and date(By SIM1 or SIM2).
 - Profile Setting: select a suitable mode for mobile phone short message. Access the mode and you can set the name, SMS center number, validity and sending format.
 - voicemail server
 - The functions of Voicemail are as follows:
 - ✧ Edit: set the name and telephone number of SIM2 voicemail.
 - ✧ Call voice mail: dial and connect to Voicemail.
 - Common Settings: set whether enable message report or reply path.
 - Memory status: view the status of SIM1 or mobile phone memory.
 - Preferred Storage: save messages in mobile phone or SIM2.
- Black List: switch on/off blacklist mode and edit some blacklist numbers.

4.2 Phone book

- You may make full use of phone book to store some name, mobile phone number, family number, company number and so on. Please choose “phone book” from main menu, and then enter it.
- Quick search: choose this option to enter into the phone book browse interface. On the lower part of the screen there is a search box, and you can input relevant information to filter the telephone record. You can press “#” to switch the search method.

* Note: You can save up to 500 telephone numbers in mobile phone and 200 numbers in SIM1 and SIM2 (depends on the capacity of SIM card).

You can see the following options in phone book detailed:

- View: view the details of the contact.
- Send text message: edit text message and send it to this number.
- Send multimedia message: edit multimedia message and send it to this number.
- Call: call this number.
- IP dial: call this number with IP number.
- Edit: edit this number and then save it to phone book.
- Delete: choose this function to delete the contact.
- Copy: Copy the contact.
- Move: Move the contact.
- Send contact: Send contact as text message; Send contact as multimedia message; Send contact via Bluetooth.
- Add to Blacklist: Add this contact to Blacklist.
- Mark several: Select one or more numbers , and Mark.
- Mark
- ✧ Unmark: Unmark of numbers.
- ✧ Send text message: Edit text message and send it to the mark numbers.
- ✧ Delete marked: Delete marked of numbers.
- ✧ Mark all: Mark all of numbers.
- ✧ Umark all: Unmark all of numbers.
- Mark all
- ✧ Unmark: Unmark of numbers.
- ✧ Send text message: Edit text message and send it to this number.
- ✧ Delete marked: Delete marked of numbers.
- ✧ Umark all: Unmark all of numbers.
- Caller groups: The mobile phone provides you with five incoming groups. You can change the group name, call ring, incoming picture to every group; or add or delete the group member.
- Phonebook settings:
 - Preferred storage: choose the priority for the storage location- the mobile phone or SIM1 / SIM 2 or All.
 - Speed dial: set quick dial. In standby interface, press and hold corresponding number key and you can call the specified number.
 - My number: Choose this option to edit or transfer detailed data of the record user.
 - vCard version: Select vCard version.
 - Extra numbers: the numbers stored in the SIM 1 or SIM 2, e.g. the number of this mobile phone, service number, which you can check and modify.
 - Memory status: Choose this option to check the phonebook information in the SIM card and in the mobile phone
 - Copy contacts: copy all the records in the mobile phone or the SIM card (SIM1 or SIM 2): both SIM card to mobile phone and phone to SIM card are workable.
 - Move contacts: move all the records in the mobile phone or the SIM card (SIM1 or SIM 2): both SIM card to mobile phone and phone to SIM card are workable
 - Delete all contacts: choose this function to delete phone record all from SIM card (SIM1 or SIM 2) or mobile phone. One by one delete available too(note: must enter password to delete all when deleting phone number in SIM card and this mobile phone, default password is 1122)
 - Phone Book Backup: choose this function to Backup of phonebook.

4.3 Telcel

STK: its full name is SIM Tool Kit. It is a kind of new service of GSM. It can provide you with flexible information functions, such as stock information, traffic information, and weather information. The functions provided by SKT will be subjected to the network operators. Such service is based on the supports of SIM card and network.

4.4 Games

This mobile phone provides two game—Puzzle, Magic Sushi. Refer to the instructions in the game for operation.

Games Settings:

- BGM: enable/disable background music of the game.
- Sound Effect: enable/disable game operation music.
- Volume: Set the volume of the games.

4.5 Internet service

This machine provides a WAP browser for your convenience of surfing on Internet. You must gain a permit based on a registration at the network operator. The use can be available after related options have been well set.

- Homepage: entering in this menu will link you with the website(s) defaulted by the mobile phone directly.
- Bookmarks: you may save the websites in which you are interested into the bookmarks and edit these bookmarks, or undertake a surfing directly.
- Recent pages: the websites in which the mobile phone has recently logged will be saved into this menu. In such case, you may undertake a surfing by selecting the records in directly.
- Input address: input a web address and connect to it.
- Service inbox: the service provider sends WAP contents to your mobile phone. You needn't to perform any operation. For example, you can get the latest news or WAP settings from the service provider.
- Settings
 - Select SIM: you can select Check, SIM1 or SIM2.
 - Profiles: before accessing the Internet, you need to set SIM1 or SIM2 according to local network.
 - Browser options: set the waiting time to access network and enable/disable picture display.
 - Service message settings: enable/disable receiving network service messages.
 - Clear cache: clear cache memory.
 - Clear cookies: clear personal data.

* Note: GPRS service needs network support and it is available only when you apply this service and locate in GPRS network coverage.

4.6 Call Center

4.6.1 Call history

➤ SIM1 Call history

- All calls: view last 20 calls.
- Dialed calls: view last 20 dialed numbers.
- Received calls: view last 20 answered calls.
- Missed calls: view last 20 missed calls.

In Call Log list interface, you can press OK to view the details of the record, including date, calling time, name, number and call times.

In details interface, you can press Option to perform following operation on selected record.

- ✧ Call: call this number.
- ✧ Send text message: edit text message and send it to this number.
- ✧ Send multimedia message: edit multimedia message and send it to this number.
- ✧ Save to Phonebook: Add the record to Phonebook.
- ✧ Add to Blacklist: Add this record to Blacklist.
- ✧ Edit before call: edit this number and call it.
- ✧ Delete: delete this entry.

You can see the following options in phone book detailed:

- View: view the details of the contact.
- Call: call this number.
- Send text message: edit text message and send it to this number.
- Send multimedia message: edit multimedia message and send it to this number.
- Save to phonebook: Add the record to Phonebook.
- Add to Blacklist: Add this record to Blacklist.
- Edit before call: edit this number and call it.
- Delete: delete this entry.
- Delete all: you can clear the Missed Calls, Dialed Numbers or Answered Calls of SIM1, or clear all.
- Advanced:

➤ SIM1 Call Timers: the Call Timer menu of SIM1 includes Last Call, Dialed Total, Answered Total and Reset.

- ✧ Last Call: view the time of last call.
- ✧ Dialed calls: view the total time of all dialed numbers.
- ✧ Received calls: view the total time of all answered calls.
- ✧ Reset all: reset the Call Timer.

➤ SIM1 Call cost: Call Expenses save the bill of all calls of SIM1.

- ✧ Last call cost: view the cost of last call.
- ✧ Total cost: view the accumulated expenses.
- ✧ Reset cost: input the PIN2 code to reset the counter.
- ✧ Max cost: Access Expense Limit submenu to view, modify or cancel this function. You need to input the PIN2 code to edit and cancel.
- ✧ Price per unit: access Price and Rate submenu to view, edit or cancel this function. You need to input PIN2 code to edit and cancel.

***Note: You need to input PIN2 code to perform certain operations. Please contact your network operator for this code.**

*** Note: Need network support.**

- SIM1 text msg. counter
 - ✧ Sent: record the number of short messages you have sent with SIM1.
 - ✧ Received: record the number of short messages you have received with SIM1.

You can press the Left soft key to clear these two items separately.

- SIM1 GPRS counter
 - ✧ Last sent: record the byte number of last sending.
 - ✧ Last received: record the byte number of last receiving.
 - ✧ All sent: record the byte number of total sending.
 - ✧ All received: record the byte number of total receiving.
 - ✧ Reset counter: Take count again.

- SIM2 Call history
 - All calls: view last 20 calls
 - Dialed calls: view last 20 dialed numbers.
 - Received calls: view last 20 answered calls.
 - Missed calls: view last 20 missed calls.

In Call Log list interface, you can press OK to view the details of the record, including date, calling time, name, number and call times.

In details interface, you can press Option to perform following operation on selected record.

- Call: call this number.
- Send text message: edit text message and send it to this number.
- Send multimedia message: edit multimedia message and send it to this number.
- Save to phonebook : Add the record to Phonebook.
- Add to Blacklist: Add this record to Blacklist.
- Edit before call: edit this number and call it.
- Delete: delete this entry.

In Call Log list interface, press option to do followings:

- ✧ View: View: view the details of the record.
- ✧ Call: call this number.
- ✧ Send text message: edit text message and send it to this number.
- ✧ Send multimedia message: edit multimedia message and send it to this number.
- ✧ Save to phonebook : Add the record to Phonebook.
- ✧ Add to Blacklist: Add this record to Blacklist.
- ✧ Edit before call: edit this number and call it.
- ✧ Delete: delete this entry.
- ✧ Delete all: you can clear the Missed Calls, Dialed Numbers or Answered Calls of SIM2, or clear all.

-----Advanced:

- SIM2 Call Timers: the Call Timer menu of SIM2 includes Last Call, Dialed Total, Answered Total and Reset.
 - ✧ Last Call: view the time of last call.
 - ✧ Dialed calls: view the total time of all dialed numbers.
 - ✧ Received calls: view the total time of all answered calls.
 - ✧ Reset all: reset the Call Timer.

- SIM2 Call cost: Call Expenses save the bill of all calls of SIM2.
 - ✧ Last call cost: view the cost of last call.
 - ✧ Total cost: view the accumulated expenses.
 - ✧ Reset cost: input the PIN2 code to reset the counter.
 - ✧ Max cost: Access Expense Limit submenu to view, modify or cancel this function. You need to input the PIN2 code to edit and cancel.
 - ✧ Price per unit: access Price and Rate submenu to view, edit or cancel this function. You need to input PIN2 code to edit and cancel.

***Note: You need to input PIN2 code to perform certain operations. Please contact your network operator for this code.**

*** Note: Need network support.**

- SIM2 text message counter
 - ✧ Sent: record the number of short messages you have sent with SIM2.
 - ✧ Received: record the number of short messages you have received with SIM2.

You can press the Left soft key to clear these two items separately.

- ✧
- SIM2 GPRS counter
 - ✧ Last sent: record the byte number of last sending.
 - ✧ Last received: record the byte number of last receiving.
 - ✧ All sent: record the byte number of total sending.
 - ✧ All received: record the byte number of total receiving.
 - ✧ Reset counter: Take count again.

4.6.2 call settings

➤ SIM1 call settings

- Caller ID
 - ✧ Set by network: whether sending number or not depends on system default.
 - ✧ Hide ID: you can answer calls only. It prompts “Check Network” when you make calls. (Need network support)
 - ✧ Send ID: the other party can see your number when you make a call.
- Call Waiting: select Enable, Disable or Check.
- Call divert:
 - ✧ Divert all voice calls: enable this option and all the incoming calls are diverted to the specified number.
 - ✧ Divert if unreachable: enable this option and all the incoming calls are diverted to the specified number if the other party can't dial through your number.
 - ✧ Divert if no answer: enable this option and the incoming calls are diverted to the number you set if your mobile phone isn't answered.
 - ✧ Divert if busy: enable this option and all the incoming calls are diverted to the specified number when you are busy.
 - ✧ Divert all data calls: Transfer if it is data call.(Need network support)
 - ✧ Cancel all diverts: cancel all settings of call diverting.
- Call barring: set Call barring.
- ✧ Outgoing calls: bar outgoing calls.

- ✧ Incoming calls: bar incoming calls.
- ✧ Cancel all: cancel barring (need to input the PIN2 code).
- ✧ Change barring password: change the password.
- Line switching: select Line 1 or Line 2.
- **SIM2 call settings**
- Caller ID
- ✧ Set by network: whether sending number or not depends on system default.
- ✧ Hide ID: you can answer calls only. It prompts “Check Network” when you make calls. (Need network support)
- ✧ Send ID: the other party can see your number when you make a call.
- Call waiting: select Enable, Disable or Check.
- Call divert:
- ✧ Divert all voice calls: enable this option and all the incoming calls are diverted to the specified number.
- ✧ Divert if unreachable: enable this option and all the incoming calls are diverted to the specified number if the other party can’t dial through your number.
- ✧ Divert if no answer: enable this option and the incoming calls are diverted to the number you set if your mobile phone isn’t answered.
- ✧ Divert if busy: enable this option and all the incoming calls are diverted to the specified number when you are busy.
- ✧ Divert all data calls: Transfer if it is data call.(Need network support)
- ✧ Cancel all diverts: cancel all settings of call diverting.
- Call barring: set Call barring.
- ✧ Outgoing calls: bar outgoing calls.
- ✧ Incoming calls: bar incoming calls.
- ✧ Cancel all: cancel barring (need to input the PIN2 code).
- ✧ Change barring password: change the password.
- Line switching: select Line 1 or Line 2.
- **Advance settings**
- Blacklist: set Blacklist and save the numbers that you don’t want to answer. The incoming call is rejected automatically if it is from the number in the Blacklist.
- ✧ Switch blacklist on/off.
- ✧ Set blacklist list: set Blacklist and save the numbers that you don’t want to answer.(You can save up to 20 telephone numbers in Blacklist)
- Auto redial: enable or disable Auto Redial when the other party is busy or the call isn’t answered.
- IP dial: enable IP call and edit IP number. You can edit up to 3 numbers.
- Call time display: enable or disable Call Time Display in the calling process.
- Call time reminder: enable or disable Call Time Alert (beep) in the calling process and set the alert period.
- Auto quick end: enable or disable this option. If it is enabled, the call ends automatically when it reaches specified time.
- Reject by sms: switch on/off reject the call by sms.

4.7 Multimedia

4.7.1 Camera

This mobile phone provides double camera function. You can press the Center key to take pictures.

The options include:

- Photos: view saved pictures.
- Camera Settings: set the parameters of camera.
- Image Settings: set the size and quality of pictures.
- White balance: select the brightness of pictures.
- Scene Mode: select shooting mode.
- Effect Settings: set the special good effect of pictures.
- Storage: select the storage position of pictures.
- Restore default: Restore all camera settings to factory default.

4.7.2 Image Viewer

Save the pictures in mobile phone.

- View: view saved pictures.
- Browse style: change the view mode of pictures in album, matrix or list.
- Send: send the selected picture to MMS or Bluetooth.
- Use as : send the picture to wallpaper, screen saver, power on display, power off display, caller picture.
- Rename: change the file name of selected picture.
- Delete: delete the selected picture.
- Sort by: sort the pictures in the folder according to name, type, time or size.
- Delete all files: delete all the pictures in Album.
- Storage: change the default path to access and take pictures.

**Note: It is supports viewing of JPG、GIF、BMP、PNG picture.*

4.7.3 Video Recorder

This mobile phone provides video recording function. Select menu “Video Recorder” and press the Center key to record video.

- Press Option to access:
- Camcorder Settings: select this option to set parameters of recorder.
- Video settings: set the size, quality, time limit reached and record audio of videos.
- White balance: select the brightness of videos.
- Effect Settings: set the special good effect of videos.
- Storage: Save in mobile phone or memory card.
- Restore default: Restore all settings to factory default.

**Note:The default format is 3GP of video recorder.*

4.7.4 Video Player

Play saved video. Available options are:

- Play: play selected video.
- Use us: send the picture to caller video.
- Send: send the selected video to Contacts or with Bluetooth.
- Rename: change the file name of selected video.
- Delete: delete the selected video.
- Delete all files: delete all the saved video.
- Sort by: sort the video in the folder according to name, type, time, size or none.
- Storage: Select the path to read files: mobile phone or memory card.

**Note: It is supports playing of 3GP,MP4 files.*

4.7.5 Audio Player

Interface of music player, enter song list can play songs, See choose play songs, go to the options can be the following operation:

- Play: play the selected track.
- Details: view the details of the music.
- Add to ring tones: add the selected music to ring tone library of Profiles.
- Refresh list: update the playing list.
- Settings: set multimedia playing.
 1. Pre. Play list: set default access path.
 2. List auto gen.: update list automatically or not when power on.
 3. Repeat: enable this option to repeat playing music.
 4. Shuffle: enable this option to play in random.
 5. Background Play: enable this option and the music won't be stopped if you exit menu.
 6. Bluetooth settings: Set Bluetooth connecting.
 7. Lyrics display: enable or disable lyrics display. If it is enabled, the lyrics are displayed in the playing interface.

**Note: music player default corresponding file name as: my music (mobile phone and memory card.)*

4.7.6 Sound recorder

To the recording interface, press the button to screen the tape recordings, according to the bottom left corner Options in the menu Options for the following operation:

- New record: record a new clip of audio.
- List:
 - ✧ Play: play the selected audio.
 - ✧ Append: append new clip of sound to original AMR or AWB audio.
 - ✧ Rename: change the name of selected audio file.
 - ✧ Delete: delete the selected audio file.
 - ✧ Delete all files: delete all sound recording files.
 - ✧ Use us: send the recording to Profiles.

- ✧ Send: send the recording to MMS or Bluetooth.
- Settings: set the storage position and the file format.

4.7.7 FM radio

The FM Radio supports auto scan and manual input. If the channel you are listening to provides FM radio service, you can check the channel information on the screen. The FM Radio service uses packet data connection (network service).

To use FM Radio service, the following requirements must be satisfied:

- Both the radio channel and network operator supports this service.
- You must define the Internet access point to access the FM Radio service provided by the network operator.
- To input radio channel manually, you need to subscribe FM Radio service and define valid service identity code.

Warning: Adjust the volume properly when you listen to the radio. Continuous high volume may damage your hearing. You can make or answer a call when you are listening to radio. If the background playing is activated, the FM Radio is off automatically when you are calling and resumes when the call ends. You can also listen to the radio even without a SIM card.

- Switch on/off: **Interface of FM player, click button to open and close FM.**
 - Scan: **Switch on FM, click scan button, then click left right button to manually scan.**
 - Volume: **Interface of FM player, press side key to control volume.**
 - **Interface of FM player, press left corner Options button to do following:**
 - Channels List: display the channels list.
 - Manual Input: input the identity code of radio channel manually.
 - Auto search: scan radio channels automatically and display the radio channels.
 - Settings: set the background playing and activate/deactivate the speaker.
 - Record: record the playing radio sound.
 - Append: add the other form except AMR.
 - Files list: view the recorded sound files.
- * Note: You need to insert an earphone to listen to the radio.*

4.7.8 Slide show

Can play phone picture as slide.

4.8 Settings

4.8.1 Dual SIM Settings

This mobile phone supports dual-card dual-standby. In dual card mode, you can switch the SIM cards according to requirements.

- Dual SIM open
Insert two SIM cards and they both subscribe to GSM network and stand by.
- Only SIM1 open

Insert two SIM cards, but only SIM1 is activated and in standby.

- Only SIM2 open

Insert two SIM cards, but only SIM2 is activated and in standby.

Note: The card in left slot is SIM1 and the card in right slot is SIM2. If you have two SIM cards, you can select Dual Card or Single Card mode after switching on the mobile phone. If two cards are activated, the network names are displayed in two lines with SIM1 network in first line and SIM2 network in second line.

- Flight Mode: select required mode.

4.8.2 Phone Settings

- Time and date: Set city, time and date.
 - Set Home City: select a city.
 - Set Time / Date: set current time and date
 - Set Format: set the displaying format of time and date.
 - Update with time zone: enable/disable update with time zone.
- Schedule Power on/off: set the time at which the mobile phone powers on/off.
- Language: set the displaying language of mobile phone menus.
- Writing language: select a default input method.
- Display Characteristic:
 - Wallpaper: select standby interface wallpaper.
 - Screen Saver: choose a screen saver picture for standby interface and set waiting time.
 - Power on Display: select a picture for power on.
 - Power off Display: select a picture for power off.
 - Idle Screen Effect: select off or Grid Effect.
 - Main menu style:select Matrix or Matrix Page.
 - Show Date and Time: enable/disable displaying current time in standby interface.
 - Show owner number: select SIM owner number on or off.
- Rotate vibrate:on/off rotate vibrate
- Dedicated Key: select a shortcut for a function.
- Auto update of date and time: enable or disable the auto update of date and time function.
- Flight mode:
- Led mode
- Misc. Settings
 - LCD backlight: set the brightness and time of backlight.

4.8.3 User profiles

- **General**
 - ◇ Activate: select this option to activate General profile.
 - ◇ Customize: select and access this option to customize General profile. Available options are:
 - Tone Setup: customize the ring tone of incoming call of SIM1/SIM2, power on/off, SIM1/SIM2 messages and key-pressing.
 - Volume: adjust the volume of ring tone and key-pressing.
 - Alert type: select Ring, Vibrator, Vibrator and Ring, Vibrator after Ring.

- Ring type: Single, Repeat or Ascending.
- Extra tone: Set the alert tone of warning, error, network connection and call.
- Answer mode: enable/disable “Any Key Answer” and cover answer.

➤ **Meeting**

The operation is same as General.

➤ **Outdoor**

The operation is same as General.

➤ **Indoor**

The operation is same as General.

➤ **Headset**

The operation is same as General.

➤ **Bluetooth**

The operation is same as General.

➤ **Spare Profile**

The operation is same as General.

4.8.4 Network Settings

➤ **SIM1 Network Setup:**

-----Network selection:

- ✧ New search: re-subscribe to newly scanned network.
- ✧ Select Network: select network for the SIM card.
- ✧ Selection Mode: select Manual or Auto.

-----Preferences: Pre-store several networks.

➤ **SIM2 Network Setup:**

-----Network selection:

- ✧ New search: re-subscribe to newly scanned network.
- ✧ Select Network: select network for the SIM card.
- ✧ Selection Mode: select Manual or Auto.

-----Preferences: Pre-store several networks.

4.8.5 Security Settings

➤ SIM1 security setup:

You can set security options in this menu to avoid illegal operation of the mobile phone or SIM1.

-----SIM1 lock: the PIN code can prevent your SIM card from illegal operation. If the PIN code is disabled, select Enable and you can start PIN code protection. The mobile phone asks you to input the PIN code the next time you switch on the phone. If the PIN code is enabled, select Disable and you can stop PIN code protection. Select Change PIN code and you can set new PIN code. Please input old PIN code, new PIN code and repeat new PIN code according to the prompt.

****Note: If you input invalid PIN code for three times continuously, the SIM card is locked and you need the PUK code to unlock the SIM card. The PIN code and PUK code may be provided together with SIM card. Please contact your network operator if not. The default PIN code is 1234. Please change it into your own private password as soon as possible.***

-----Fixed dial:

When this function is enabled, you can only dial the numbers in FDN or numbers begin with certain numbers (need SIM card support).

✧ Mode: enable/disable fixed dialing function (need to input the PIN2 code).

✧ Fixed dial list: input the telephone numbers of fixed dialing.

-----Barred dial: opposite to fixed dialing, you can set to disable dialing certain numbers.

-----Change password: change the password, including PIN, PIN2 and phone password.

****Note: Certain functions need to be supported by network operator.***

➤ SIM2 security settings:

-----SIM2 lock: the PIN code can prevent your SIM card from illegal operation. If the PIN code is disabled, select Enable and you can start PIN code protection. The mobile phone asks you to input the PIN code the next time you switch on the phone. If the PIN code is enabled, select Disable and you can stop PIN code protection. Select Change PIN code and you can set new PIN code. Please input old PIN code, new PIN code and repeat new PIN code according to the prompt.

****Note: If you input invalid PIN code for three times continuously, the SIM card is locked and you need the PUK code to unlock the SIM card. The PIN code and PUK code may be provided together with SIM card. Please contact your network operator if not. The default PIN code is 1234. Please change it into your own private password as soon as possible.***

-----Fixed dial:

When this function is enabled, you can only dial the numbers in FDN or numbers begin with certain numbers (need SIM card support).

✧ Mode: enable/disable fixed dialing function (need to input the PIN2 code).

✧ Fixed dial list: input the telephone numbers of fixed dialing.

----- Change Password: change the password, including PIN, PIN2 and phone password.

➤ Phone Lock:

Phone lock can prevent your mobile phone from illegal operation. If this function is enabled, you need to enter phone password every time you turn on the mobile phone, then you can unlock the phone and make or answer a call.

You can clear mobile phone password, but illegal operation can't be prevented in this case.

****Note: The default phone lock password is 1122. Please change into your own private password as soon as possible. If you have forgotten your mobile phone password, please contact your distributor or local authorized service center to unlock your mobile phone.***

- Auto Keypad Lock:
 - Set the waiting time of keypad lock. After setting, the keypad is locked automatically if the mobile phone hasn't been used in specified time
- Change Password: change the phone password.

**Note: Certain functions need to be supported by network operator.*

4.8.6 Connectivity

4.8.6.1 Bluetooth

This mobile phone supports Bluetooth wireless connection. You can establish wireless connection between mobile phone and Bluetooth hands-free vehicle communication device, computer or handheld device to realize voice communication, data exchange and synchronization. Available options are:

- Power: activate/deactivate Bluetooth function.
- Inquiry audio device: search for peripheral Bluetooth devices and connect..
- My Device: display current and ever connected Bluetooth devices.
- **Active devices: Searching devices**
- Settings:
 - Visibility: enable/disable the authority of Bluetooth being searched.
 - Change device name: . **change the name of Bluetooth device of this mobile phone.**
 - Audio Path: change the output device of audio.
 - Storage: save received files in mobile phone or T-flash card.
 - FTP settings: set sharing directory which is read-only.
- About
 - view the name of this device,
 - view the address of this device,
 - view the Supported services of this device.

4.8.6.2 Data Account

- GPRS: Choose one account to enter
- Add: Add new GPRS.
- Edit:
 - Account name: name of this account. Select Edit to modify.
 - APN: input APN.
 - User Name: account name of dial-up server (not WAP gateway).
 - Password: account password of dial-up server (not WAP gateway).
 - Auth. type: select the encrypting mode of authentication.
 - Primary DNS: The leading DNS.
 - Secondary DNS: The lesser DNS.
- Delete: delete GPRS account.

4.8.6.3 Services

This machine provides a WAP browser for your convenience of surfing on Internet. You must gain a permit based on a registration at the network operator. The use can be available after related options have been well set.

- Homepage: entering in this menu will link you with the website(s) defaulted by the mobile phone directly.
- Bookmarks: you may save the websites in which you are interested into the bookmarks and edit these bookmarks, or undertake a surfing directly.
- Recent pages: the websites in which the mobile phone has recently logged will be saved into this menu. In such case, you may undertake a surfing by selecting the records in directly.
- Input address: input a web address and connect to it.
- Service inbox: the service provider sends WAP contents to your mobile phone. You needn't to perform any operation. For example, you can get the latest news or WAP settings from the service provider.
- Settings
 - Select SIM: you can select Check, SIM1 or SIM2.
 - Profiles: before accessing the Internet, you need to set SIM1 or SIM2 according to local network.
 - Browser options: set the waiting time to access network and enable/disable picture display.
 - Service message settings: enable/disable receiving network service messages.
 - Clear cache: clear cache memory.
 - Clear cookies: clear personal data.

* Note: GPRS service needs network support and it is available only when you apply this service and locate in GPRS network coverage.

4.8.7 Restore Factory Settings

Restore the functions of mobile phone to default.

**Note: The default phone password is 1122.*

4.9 Organizer

4.9.1 Calendar

Access the Calendar submenu, press left bottom options button to enter the options menu to do the following:

- View: view the created memos.
- View all: View all the created memos.
- Add event: create new memo.
- Delete event: Delete the created memos.
- Jump to Date: jump to specified date.
- Go to weekly view: view the calendar in week (month).

4.9.2 Tasks

Add task: create a new agenda and add a clock alarm. Five options can be chosen as follows: one time, every day, user-define, each week and each month.

- View: view the saved memos.
- Add :
 - Start time: prompt time of memo.
 - End time: end time of memo.
 - Note: contents displayed on screen when prompt.
 - Alarm: activate/deactivate alarm clock.
 - Repeat:
 1. Once: this memo prompts only once.
 2. Everyday: alarm at specified time everyday.
 3. Days: set the time that the alarm rings in a week.
 4. Weekly: the memo prompts once every week.
 5. Monthly: the memo prompts once every month.
 - Location: set the place of the memo.
 - Priority: select High, Medium or Low.
- Edit: edit the saved memo.
- Delete: delete one selected memo.
- Delete overdue: delete overdue memos.
- Delete All: delete all saved memos.
- Jump to date: jump to specified date.
- Send vcalendar: send selected memo to another mobile phone or save it in another position.
- Save as file: save to phone or memory card.

4.9.3 Alarm

- Switch: activate/deactivate the alarm clock.
- Time: set the time of ringing.
- Repeat:
 - Once: the clock alarms only once.
 - Everyday: alarm at specified time everyday.
 - Custom: set the time that the alarm rings in a week.
- Alarm tone: select ring tone or FM radio as the alarm.
- Snooze (mins): set the snooze time.
- Alert type: select the alarm mode, e.g. Vibrator and Ring, Ring, Vibrator.

4.9.4 World clock

Check the time of cities in the world.

4.10 Applications

4.10.1 Calculator

Press the Direction keys to input the four operators +, -, ×, ÷.

Press the Right soft key to clear last number or result; press the Right soft key “Back” to exit calculator and press the Left soft key or OK to calculate.

** Note: The precision of the calculator is limited and there are errors, especially when it is indivisible.*

4.10.2 Currency converter

During the exchange rate conversion, it is required to input the exchange rate first, and then the local monetary value, and finally press the left soft-key to confirm. And the value you need will be displayed in another edit box.

4.10.3 Stopwatch

It is a timer. Common stopwatch and multi-directional stopwatch are available.

- Typical Stopwatch:
 - Split Timing: record the time of every circle or every person.
 - Lap Timing: record the circle time of a person.
 - View record: view the recorded time.
- nWay Stopwatch: you can press the Direction keys to record the time of four persons and the total time. When the timing is stopped, press and hold the Left soft key to clear the records

4.11 Ideas

Ideas application provides you with fast common bookmarking. Enter the menu can quickly log on the website.

4.12 File manager

- Application Functions
 - Open: display the contents in the folder.
 - New Folder: create a new folder in current folder.
 - Format: format the folder.
 - Rename: change the name of file or folder.
 - Delete: delete file or folder.
 - Sort by: sort files or folders.
- Folder Functions
 - Audio: default storage path of record audio you have taken.

- My Music: default storage path of mp3 you have taken.
- Videos: default storage path of videos.
- Images: default storage path of images.
- Photos: default storage path of photos you have taken.
- E-book: default storage path of e-books you have taken
- Received: default storage path of document you have received.

5 Operation Instructions on Chinese and English Input

Letter Input Method

This mobile phone provides two kinds of input methods, i.e. capital letter input, and lowercase input. What this letter input method differs from the Intelligent English Input Method is that it has no association function. However, you may input the needed letters by pressing keys for multiple times continuously. A corresponding letter will be input by pressing a key once. For instance, press keys of 2 and 3, “A” and “D” will be input; press the key 2 continuously, you will be asked to select among “A”, “B”, “C”, and “2”.

Note: This mobile phone provides input methods for capitalized , small English letters and multi- input method.

Other language Letters

You can press # key to change the different language input methods.

Numeric Input Method

Input the corresponding numbers under such input method by pressing the figure keys.

6 Common Problems.

6.1 When the mobile phone displays “Insert SIM”?

1. Contact between SIM card and mobile phone is bad or the SIM card is not inserted.
2. Change the SIM card and try again. The SIM card may have fault if the mobile phone operates normally. Please contact your network operator.
3. If there is oxidation on the surface of SIM card or SIM card slot of the mobile phone, please wipe with alcohol or clean cloth.
4. Please contact ××× Service Center or ××× Maintenance Department if the above methods are invalid.

6.2 Checking and precautions of PIN, PIN2, PUK, PUK2 and password:

1. Please consult local network operator.
2. The SIM card is locked if you input invalid PIN code for three times continuously.
3. Please consult SIM card operator for PUK code.

6.3 Network connection fails

1. The signals in your local place are weak or have shielding. Please move to other places and try again.
2. Please contact ××× Service Center or ××× Maintenance Department to do phone test.

6.4 You can't be heard

1. Make sure whether it is network problem and try again.
2. The communication lines in some places are bad. Please move to other places and try again.
3. The trunk line of network operator is bad.
4. Please contact ××× Service Center or ××× Maintenance Department if the above methods are invalid.

6.5 Can't charge the battery

1. The contact between charger and mobile phone is bad. Make sure whether the installation is proper.
2. Check whether the battery is valid. The battery performance drops after several years.

6.6 Weak signal

1. If the local network signals are unstable, the signals the mobile phone receives won't be stable. Please move to other places and try again.
2. Please contact ××× Service Center or ××× Maintenance Department if the above method is invalid.

6.7 Can't make a call

1. The local network signals are weak and please move to places with strong signals and try again.
2. Local network operator is busy. Please try again later.
3. Check whether Hide Number is enabled. You can't make a call if the local network operator doesn't support this function and you have enabled it.
4. Please contact ××× Service Center or ××× Maintenance Department if the above methods are invalid.

6.8 Standby time becomes short

1. The standby duration depends on the intensity of local network signal.
2. It is affected by environment temperature, base station distance, etc.

GSM	Global System for Mobile Communications
GPRS	General Packet Radio Service
SMS	Short Messaging Service
SMS-CB	SMS Cell Broadcast
WAP	Wireless Application Protocol
FDN	Fixed Dial Number
SIM	Subscriber Identity Module
PC	Personal Computer
PIN	Personal Identification Number. Usually refer to PIN1. It is provided with SIM card and the code to access SIM card.
PIN2	Personal Identification Number 2. Provided by network operator. It is used for special functions, e.g. SIM supported FDN.
PUK	Personal Unlock Key. Provided along with SIM card. It is used to unlock the SIM card if you input invalid PIN code for three times continuously, or used to change PIN code.
PUK2	Personal Unlock Key 2. Provided along with specific SIM card and is used to change or enable PIN2.
IMEI	International Mobile Equipment Identity. It is made up of 15-digit number and one mobile phone corresponds to one unique IMEI.
MCC	Mobile Country Code, e.g. 460 for China (mainland).
MNC	Mobile Network Code, e.g. 00 for CMCC and 01 for China Unicom.
Call Waiting	It is a network service that you can answer a call without ending current call. Different from multi-party conference, you can only talk to one party at the same time.
Call Diverting	It is a network service that you can divert the incoming calls to specified number. The options include All Call, If not Available, If not Answered, If Busy, and Transfer All Data Calls.
Roaming	Use the mobile phone beyond the home network. It includes international roaming and domestic roaming, while it refers to international roaming in this manual.
STK	SIM Tool Kit. It is new GSM service, which provides you flexible information, including stocks, traffic and weather. The functions of STK depend on the network operator. This service needs the support of SIM card and network operator.
Dual Card Mode	The mobile terminal supports two GSM SIM cards and the cards subscribe to network simultaneously and stand by at the same time.

FCC Caution

Any Changes or modifications not expressly approved by the party responsible for compliance could void the user's authority to operate the equipment.

This device complies with part 15 of the FCC Rules. Operation is subject to the following two conditions: (1) This device may not cause harmful interference, and (2) this device must accept any interference received, including interference that may cause undesired operation.

Note: This equipment has been tested and found to comply with the limits for a Class B digital device, pursuant to part 15 of the FCC Rules. These limits are designed to provide reasonable protection against harmful interference in a residential installation. This equipment generates uses and can radiate radio frequency energy and, if not installed and used in accordance with the instructions, may cause harmful interference to radio communications. However, there is no guarantee that interference will not occur in a particular installation. If this equipment does cause harmful interference to radio or television reception, which can be determined by turning the equipment off and on, the user is encouraged to try to correct the interference by one or more of the following measures:

- Reorient or relocate the receiving antenna.
- Increase the separation between the equipment and receiver.
- Connect the equipment into an outlet on a circuit different from that to which the receiver is connected.
- Consult the dealer or an experienced radio/TV technician for help.

SAR tests are conducted using standard operating positions accepted by the FCC with the phone transmitting at its highest certified power level in all tested frequency bands, although the SAR is determined at the highest certified power level, the actual SAR level of the phone while operating can be well below the maximum value, in general, the closer you are to a wireless base station antenna, the lower the power output. Before a new model phone is available for sale to the public, it must be tested and certified to the FCC that it does not exceed the exposure limit established by the FCC, Tests for each phone are performed in positions and locations (e.g. at the ear and worn on the body) as required by the FCC. For body worn operation, this model phone has been tested and meets the FCC RF exposure guidelines when used with an accessory designated for this product or when used with an accessory that contains no metal and that positions the handset a minimum of 1.5 cm from the body.

Non-compliance with the above restrictions may result in violation of RF exposure guidelines.