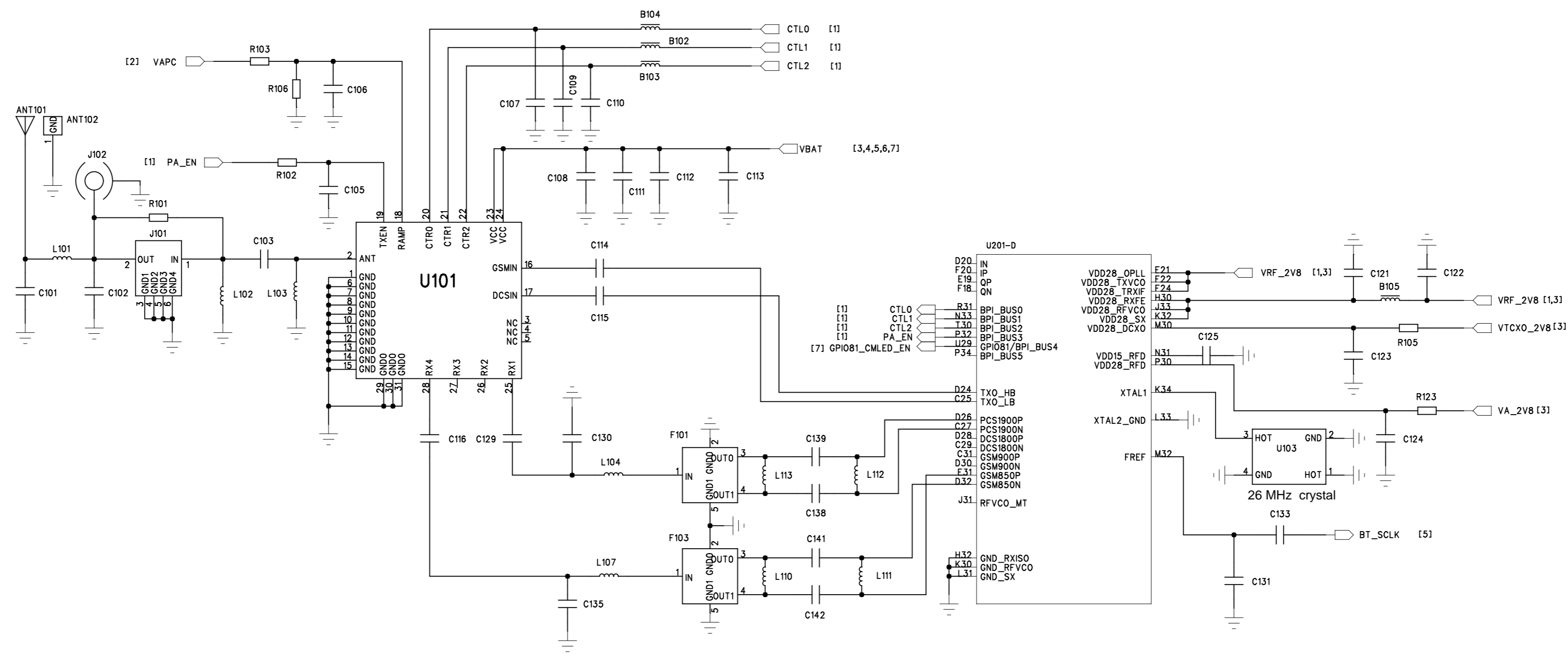
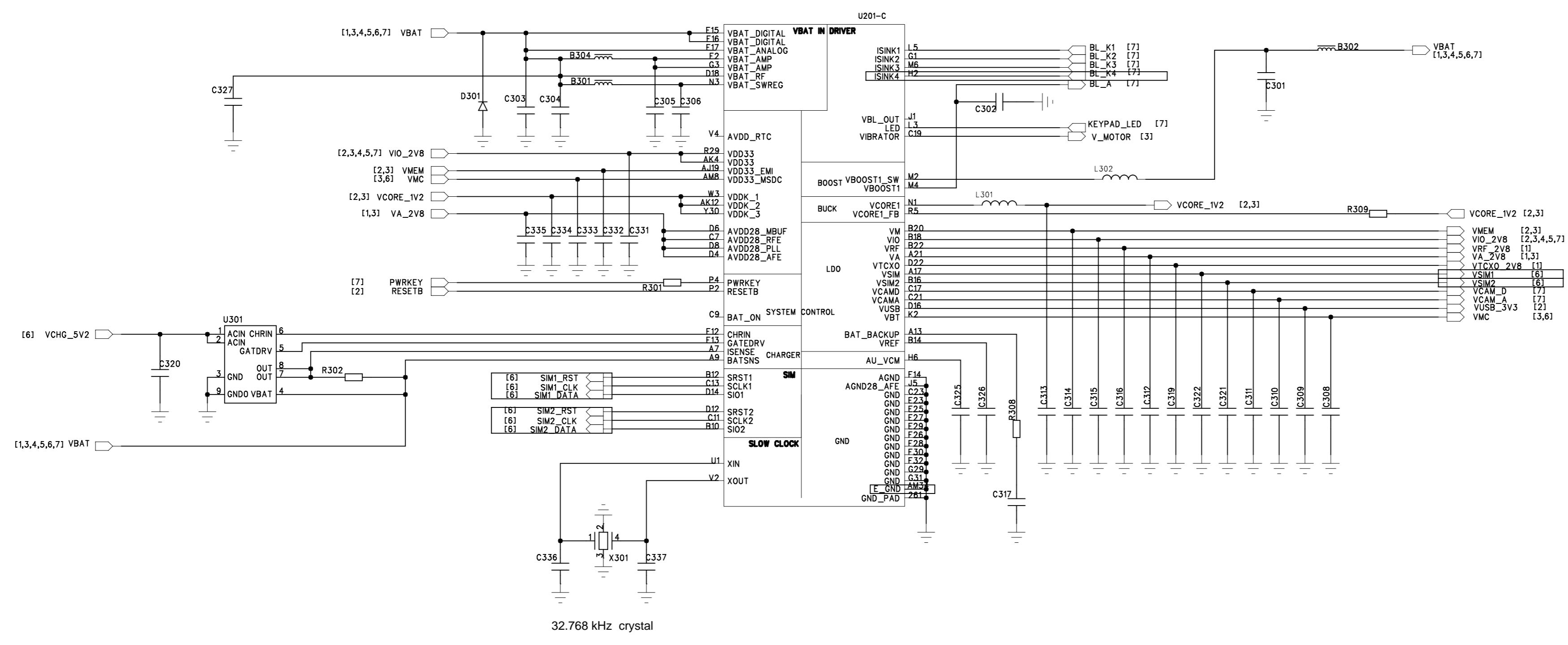


GSM850:824-849 MHz (TX); 869-894 (RX);
 PCS1900:1850-1910 MHz (TX); 1930-1990 MHz (RX);

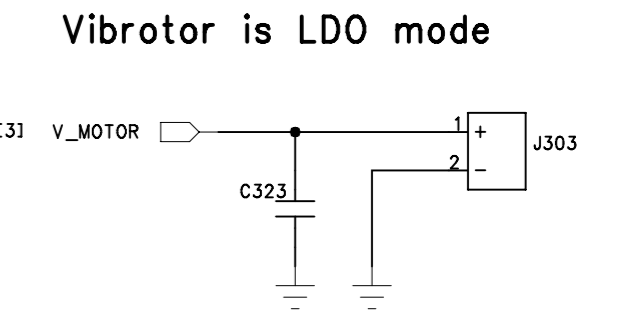
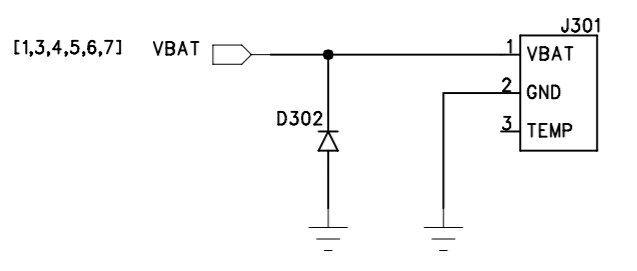


DRAWN: DYF	DATED: 2011-08-12	COMPANY: ITALCOM	
CHECKED: <Checked By>	DATED: <Checked Date>	TITLE: UP200_MB_V20	
QUALITY CONTROL: <QC By>	DATED: <QC Date>	TJ CODE: <Code>	REV:
RELEASED: <Released By>	DATED: <Release Date>	SIZE: A1	SHEET: 1 of 7

MT6253_PMU

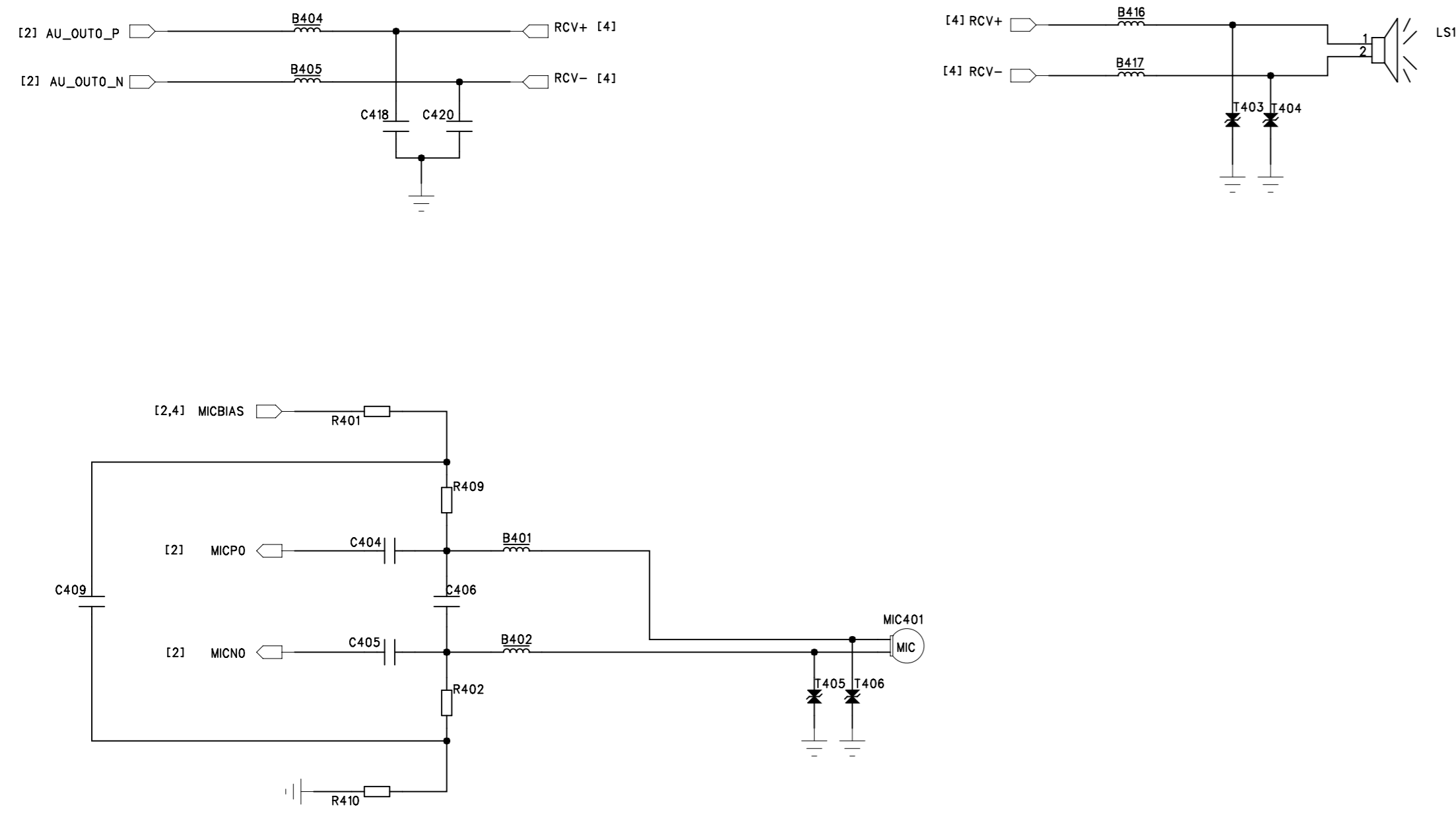


Battery Connectors



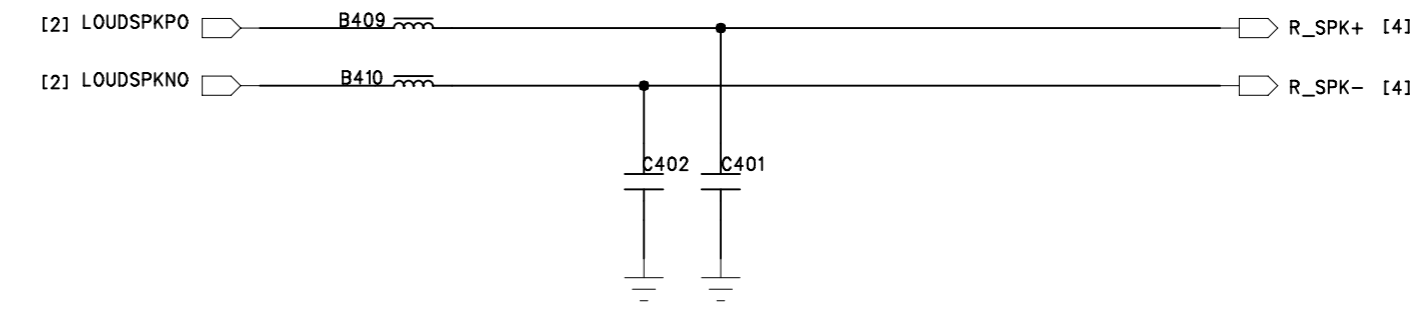
DRAWN: DYF	DATED: 2011-08-12	COMPANY: ITALCOM
CHECKED: <Checked By>	DATED: <Checked Date>	TITLE: UP200_MB_V20
QUALITY CONTROL: <QC By>	DATED: <QC Date>	TJ CODE: <Code> REV:
RELEASED: <Released By>	DATED: <Release Date>	SIZE: A1 SHEET: 3 of 7

Normal Audio

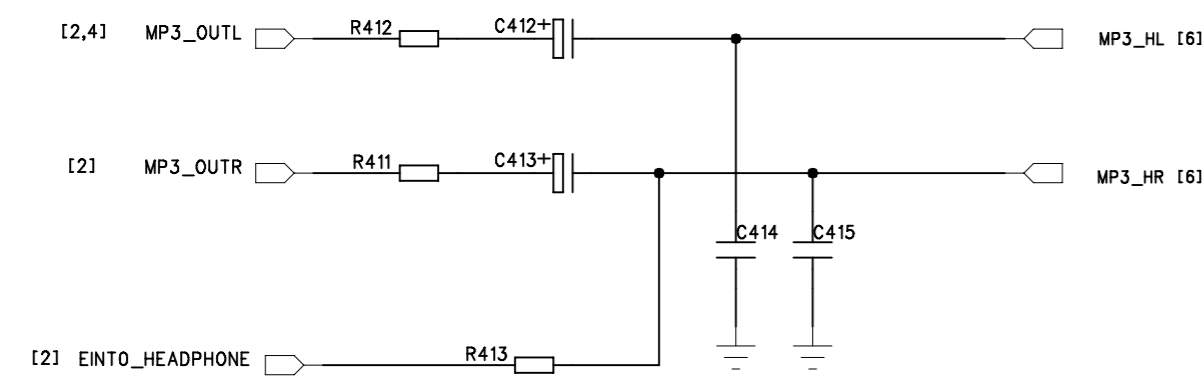


Inner ClassD

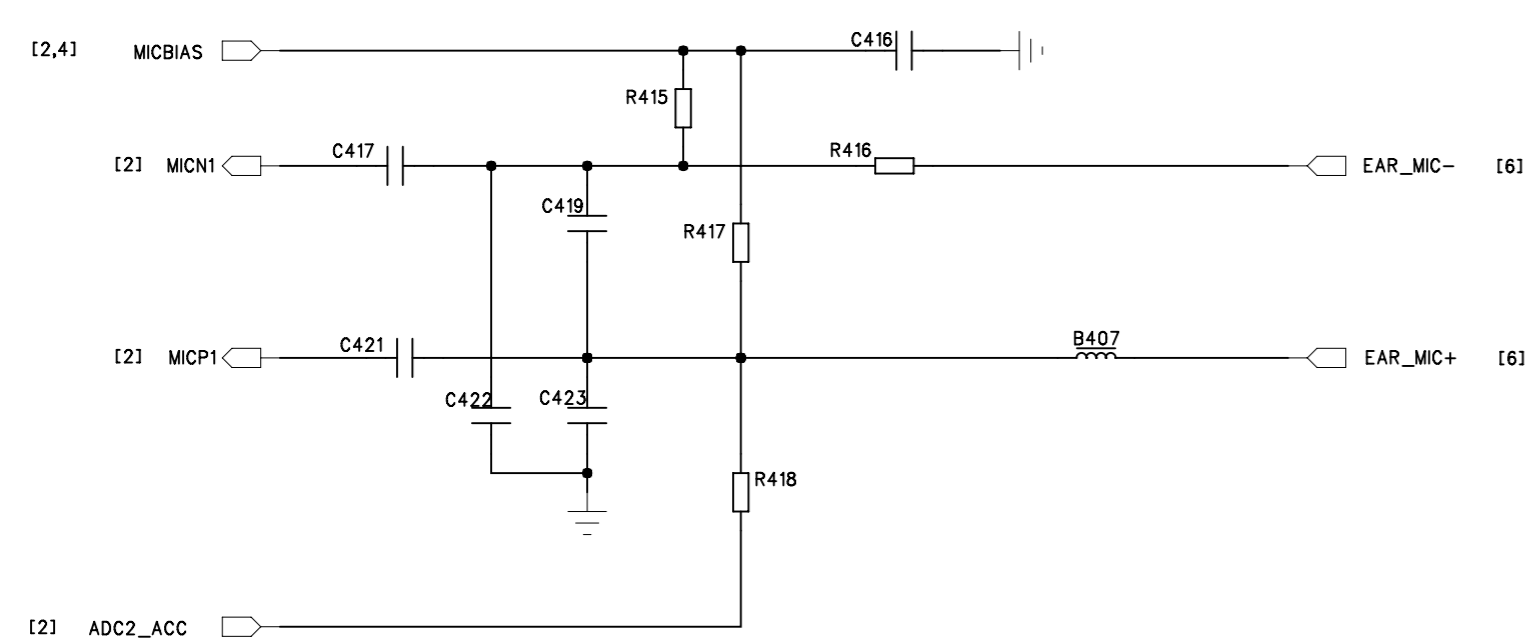
Loud SPK_R



Headset Audio

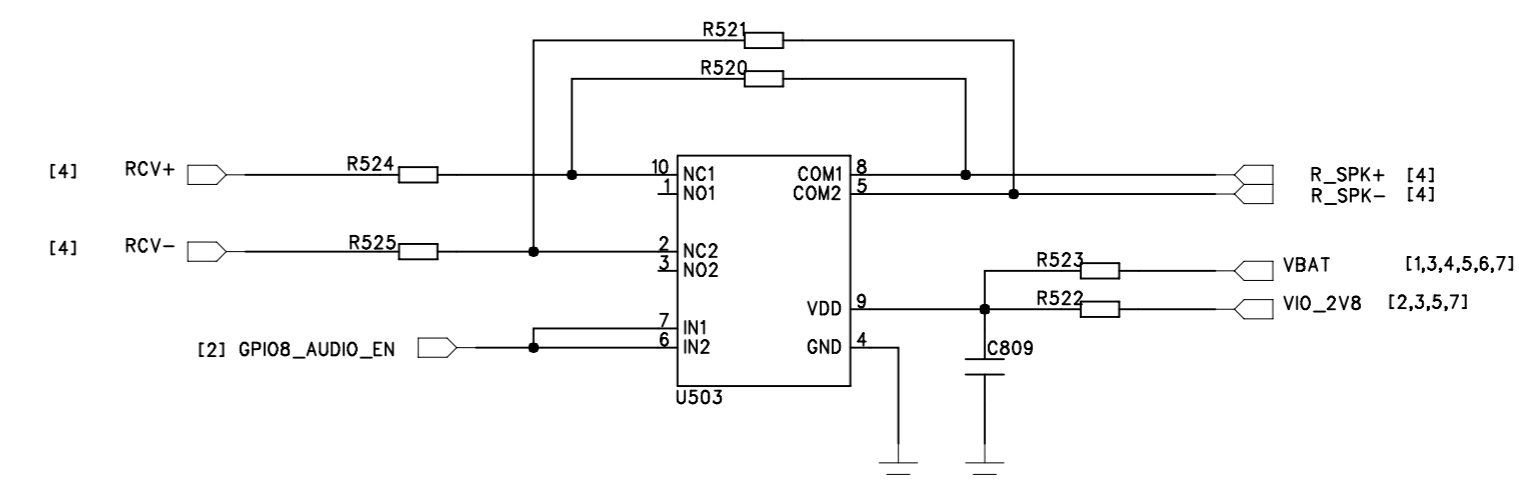
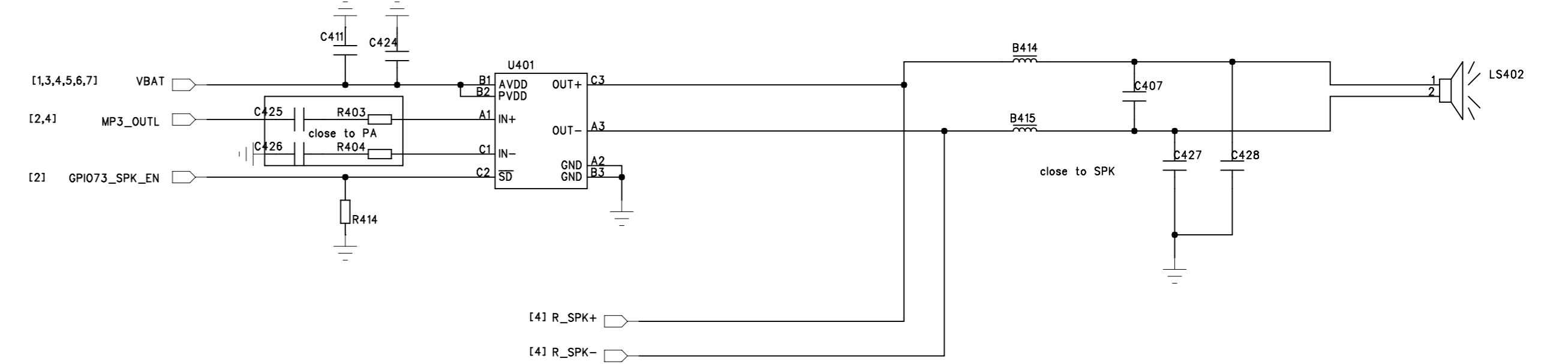


HEADSET MIC



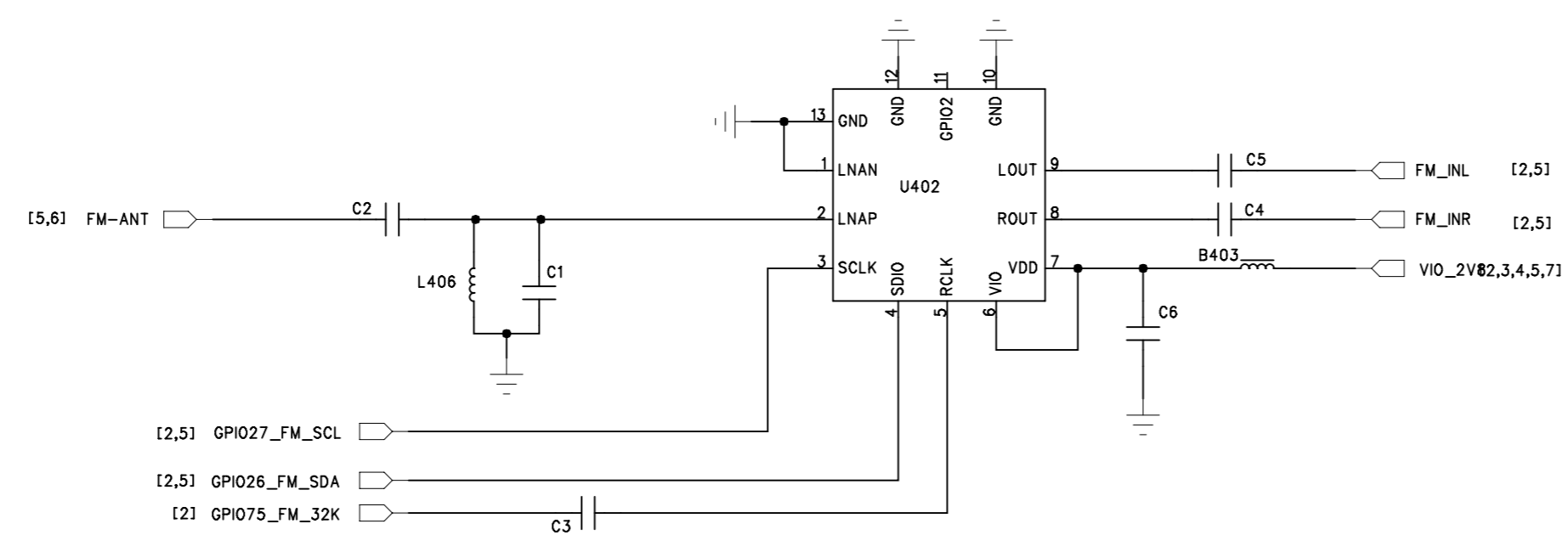
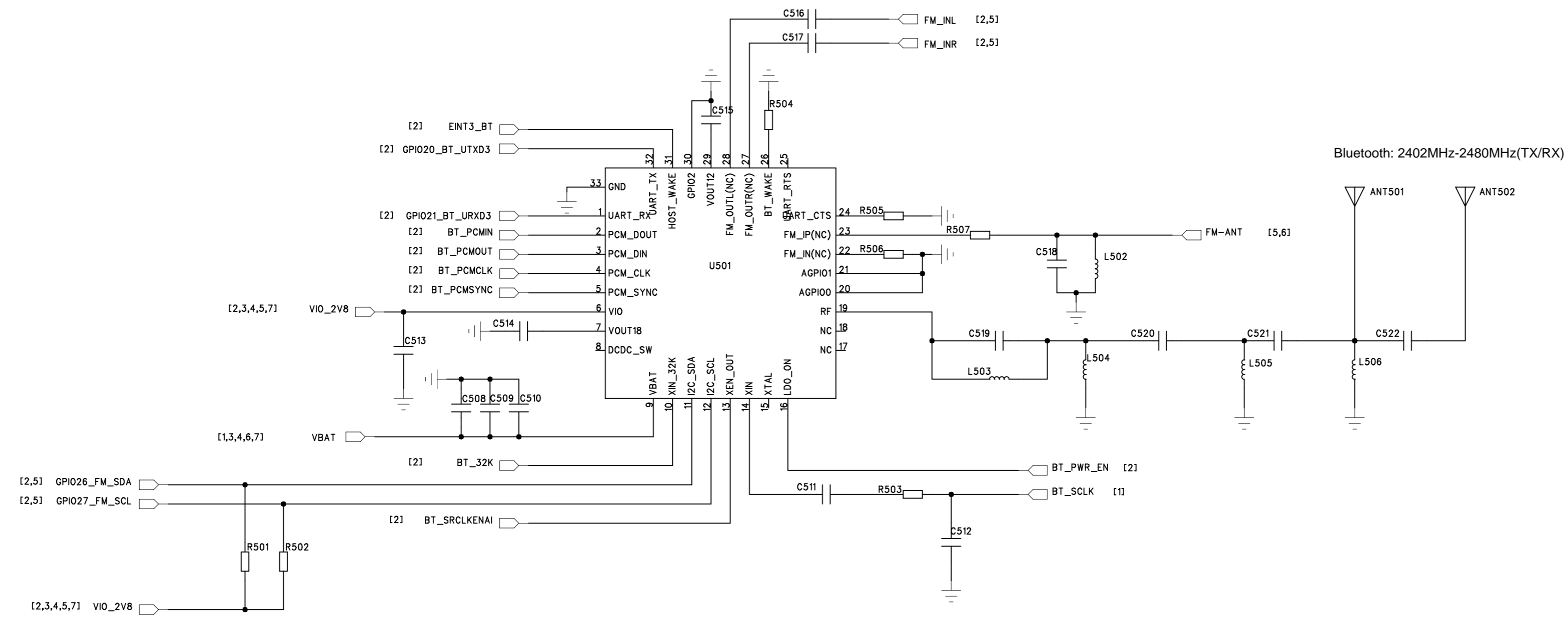
Audio PA

class D



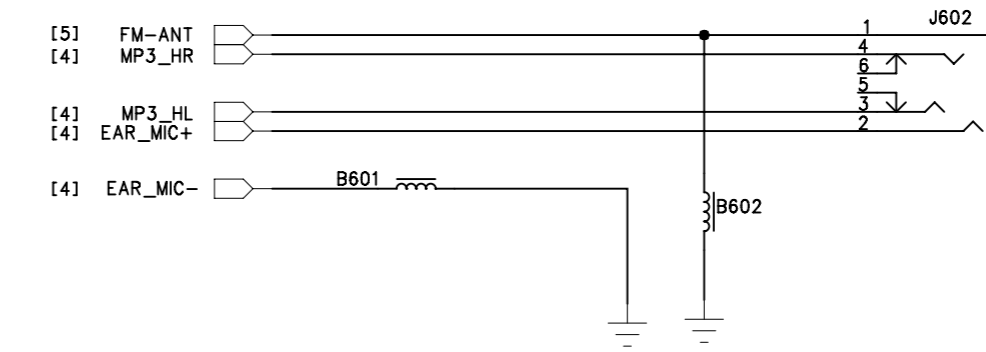
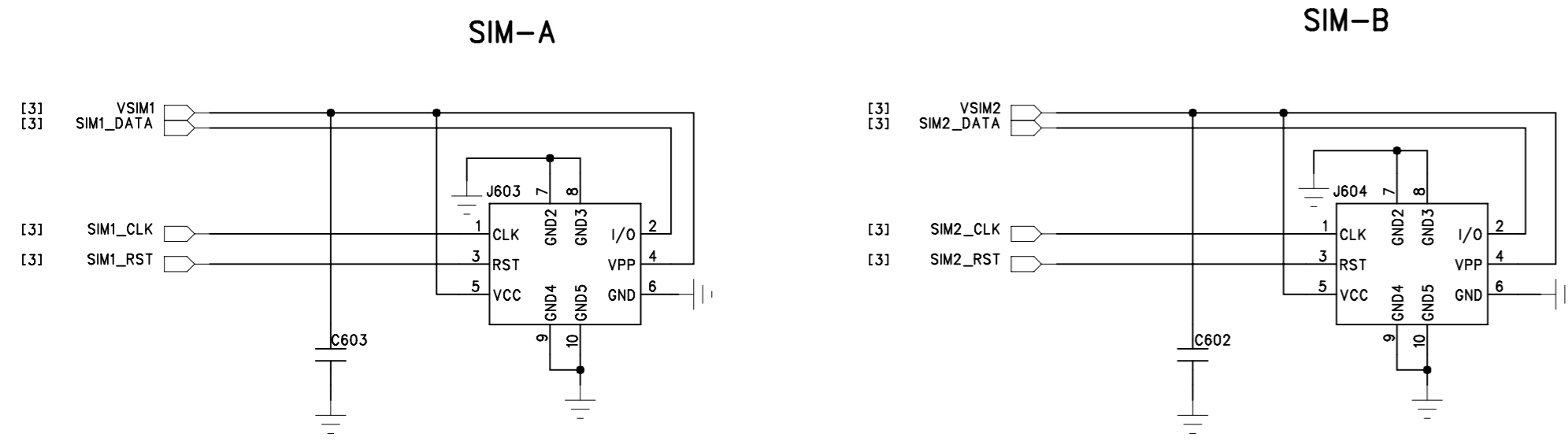
DRAWN: DYF	DATED: 2011-08-12	COMPANY: ITALCOM	
CHECKED: <Checked By>	DATED: <Checked Date>	TITLE: UP200_MB_V20	
QUALITY CONTROL: <QC By>	DATED: <QC Date>	TJ CODE: <Code>	REV:
RELEASED: <Released By>	DATED: <Release Date>	SIZE: A1	SHEET: 4 of 7

BT/FM

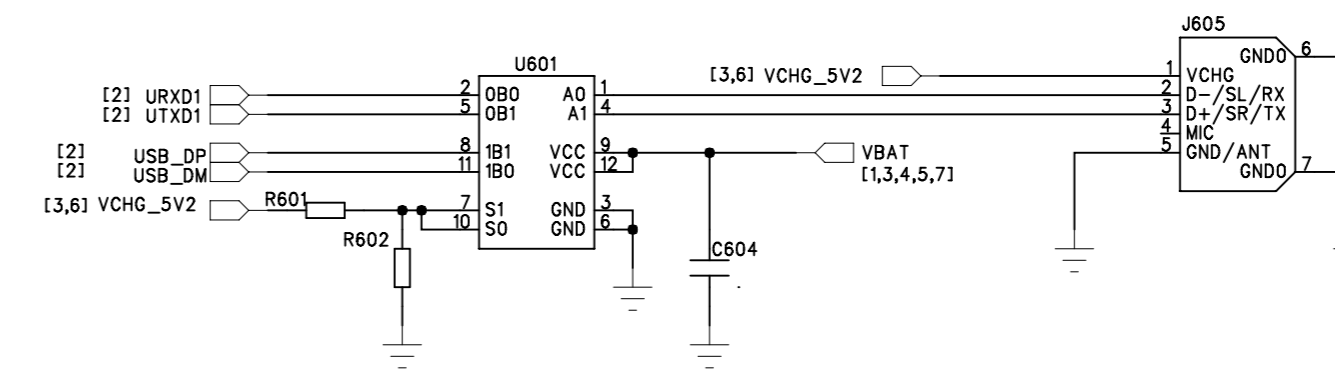
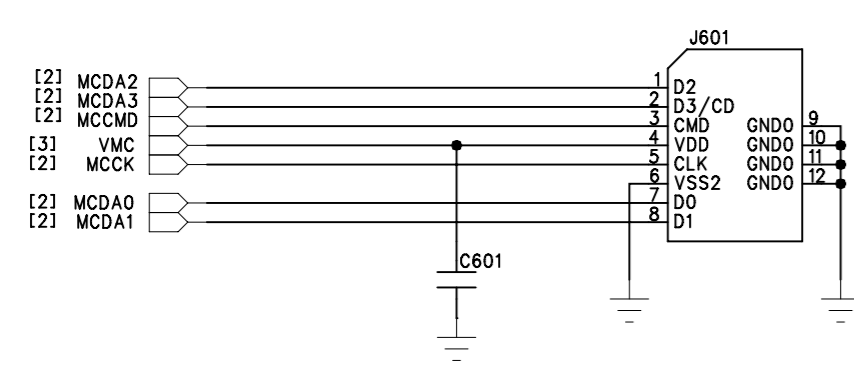


DRAWN: DYF	DATED: 2011-08-12	COMPANY: ITALCOM	
CHECKED: <Checked By>	DATED: <Checked Date>	TITLE: UP200_MB_V20	
QUALITY CONTROL: <QC By>	DATED: <QC Date>	TJ CODE: <Code>	REV:
RELEASED: <Released By>	DATED: <Release Date>	SIZE: A1	SHEET: 5 OF 7

EAR JACK

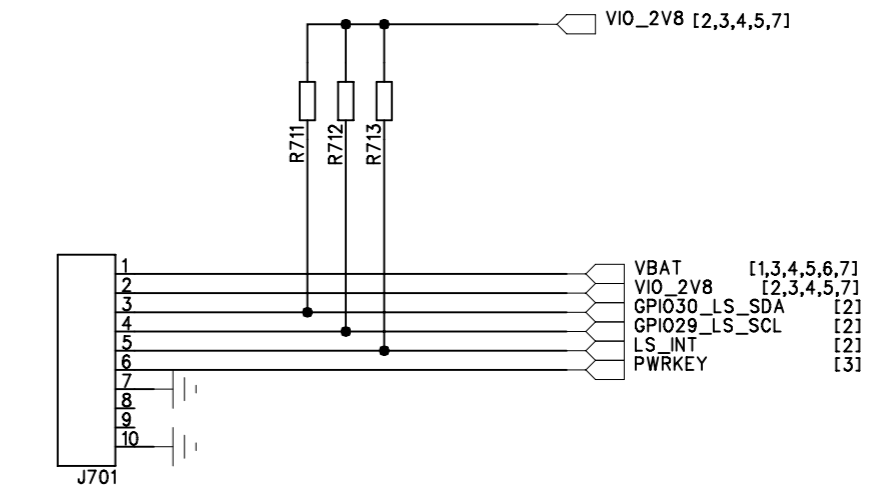
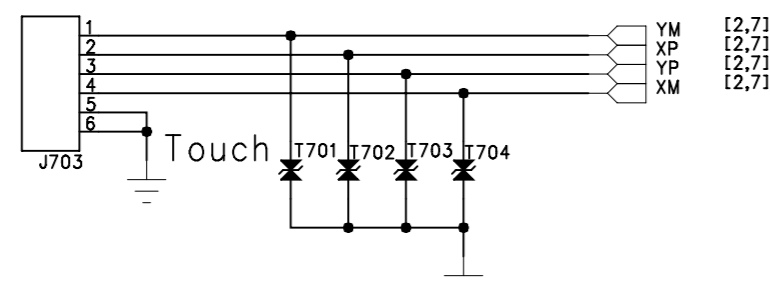
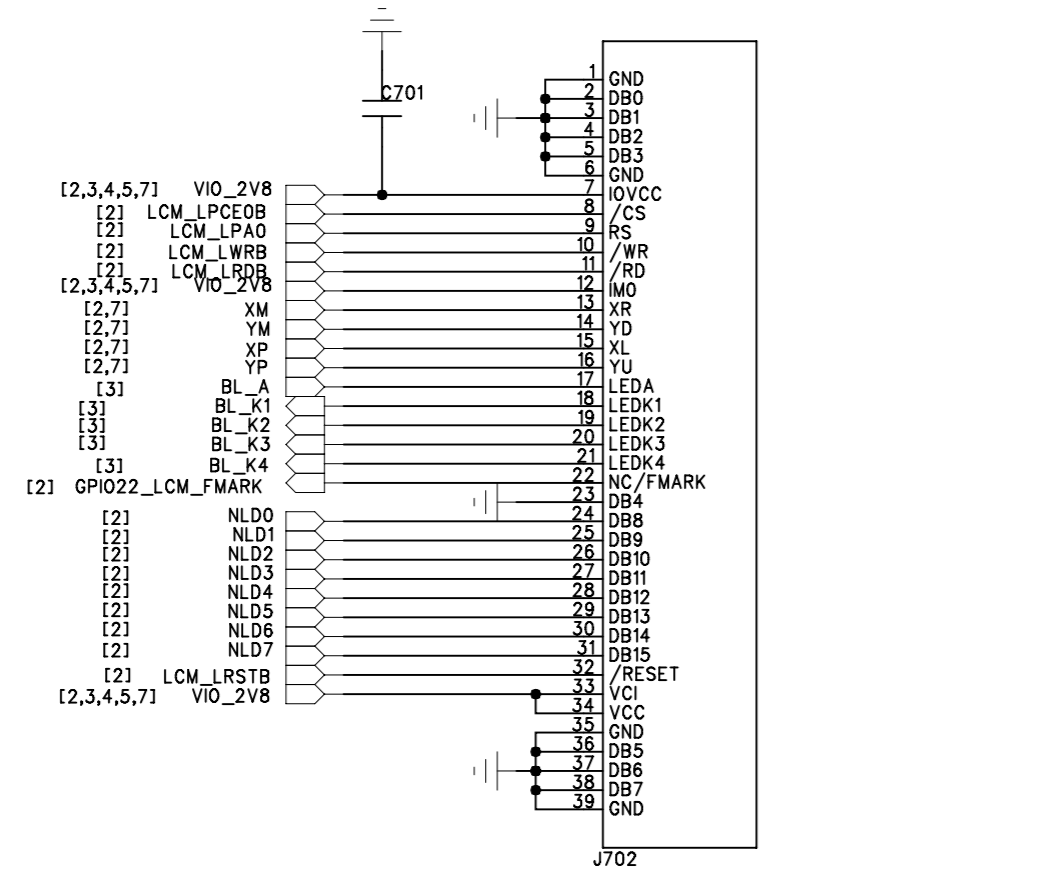


5 PIN SYSTEM I/O

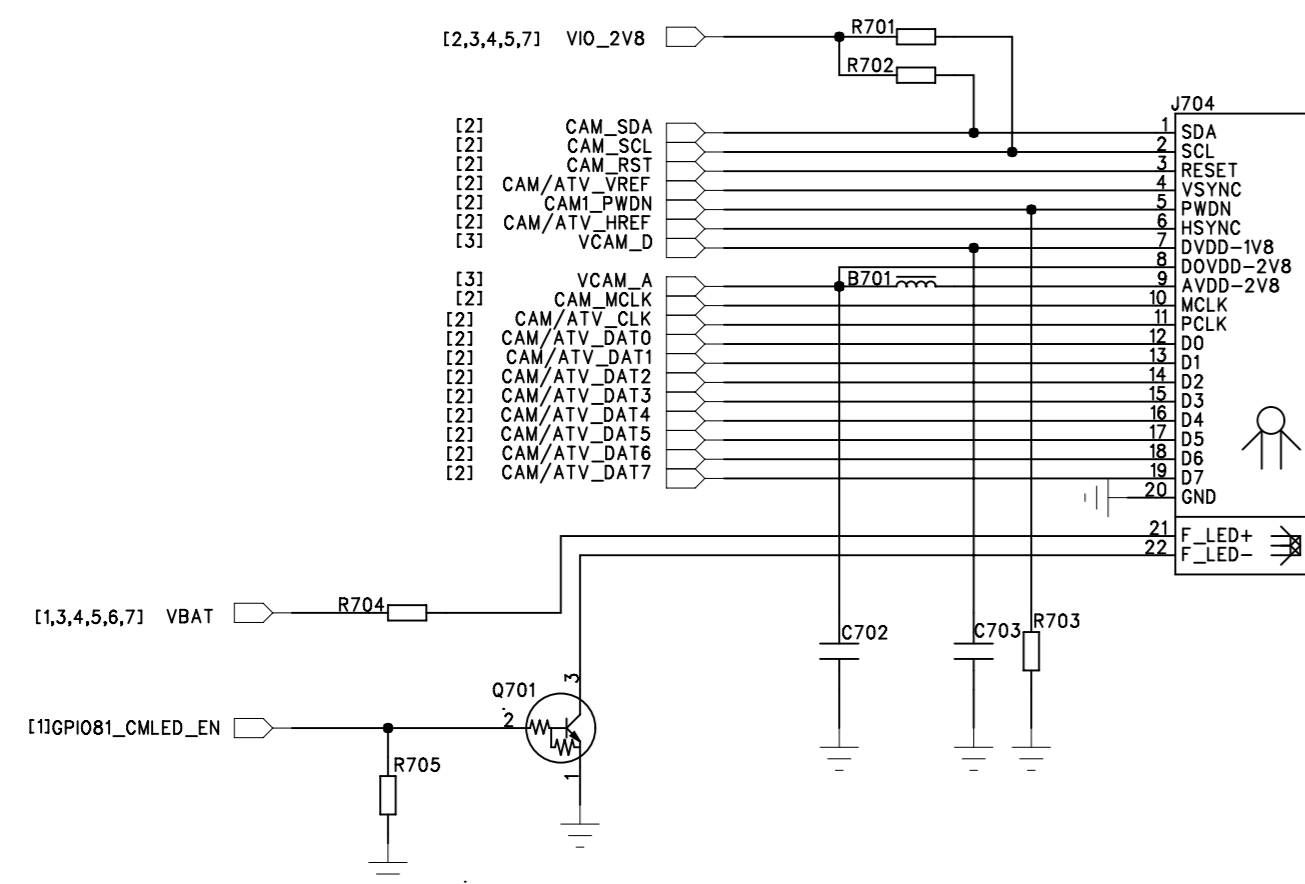


DRAWN: DYF	DATED: 2011-08-12	COMPANY: ITALCOM	
CHECKED: <Checked By>	DATED: <Checked Date>	TITLE: UP200_MB_V20	
QUALITY CONTROL: <QC By>	DATED: <QC Date>	TJ CODE: <Code>	REV:
RELEASED: <Released By>	DATED: <Release Date>	SIZE: A1	SHEET: 6 of 7

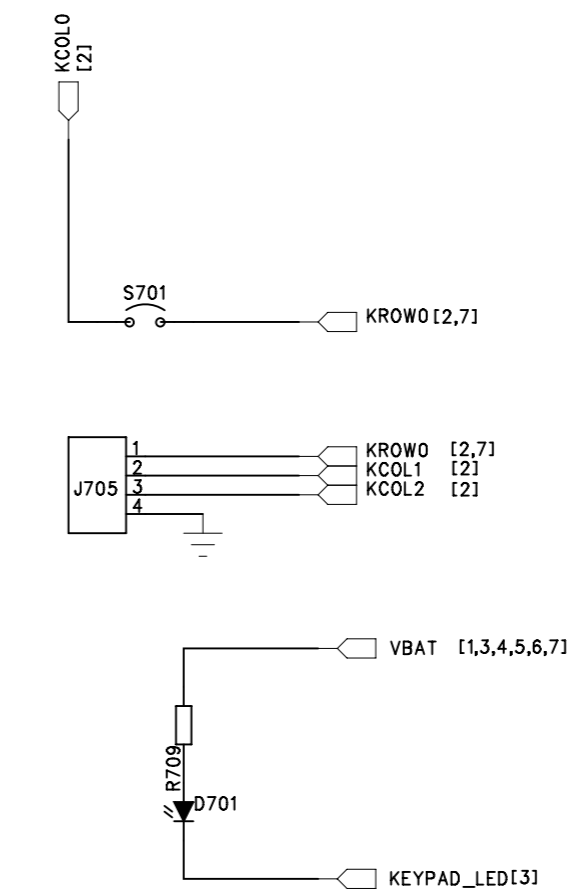
LCM



Main Camera



KeyPAD



DRAWN: DYF	DATED: 2011-08-12	COMPANY: ITALCOM	
CHECKED: <Checked By>	DATED: <Checked Date>	TITLE: UP200_MB_V20	
QUALITY CONTROL: <QC By>	DATED: <QC Date>	TJ CODE: <Code>	REV:
RELEASED: <Released By>	DATED: <Release Date>	SIZE: A1	SHEET: 7 of 7