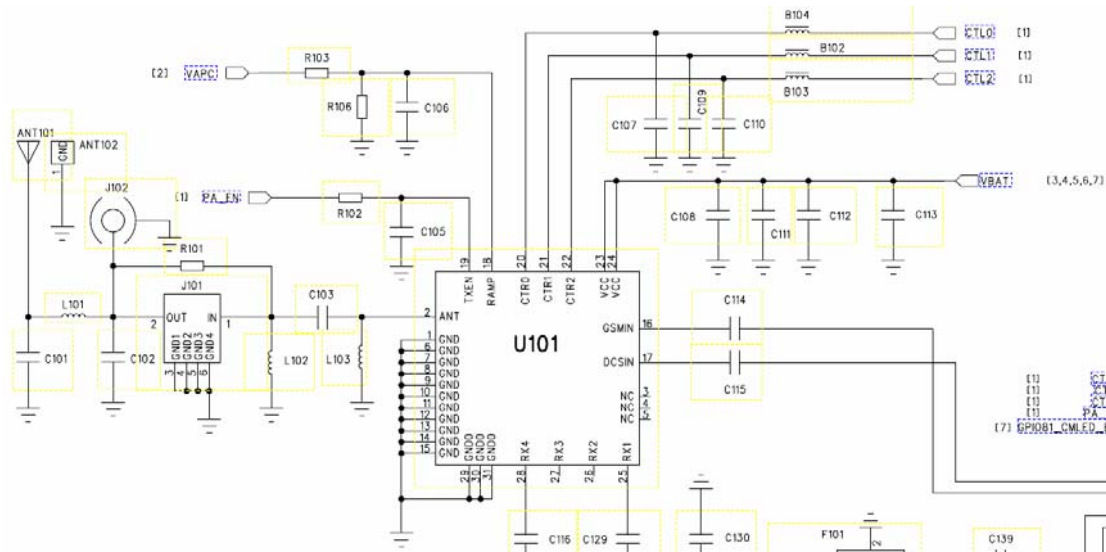


1 RX antenna switch SCH (page 1)

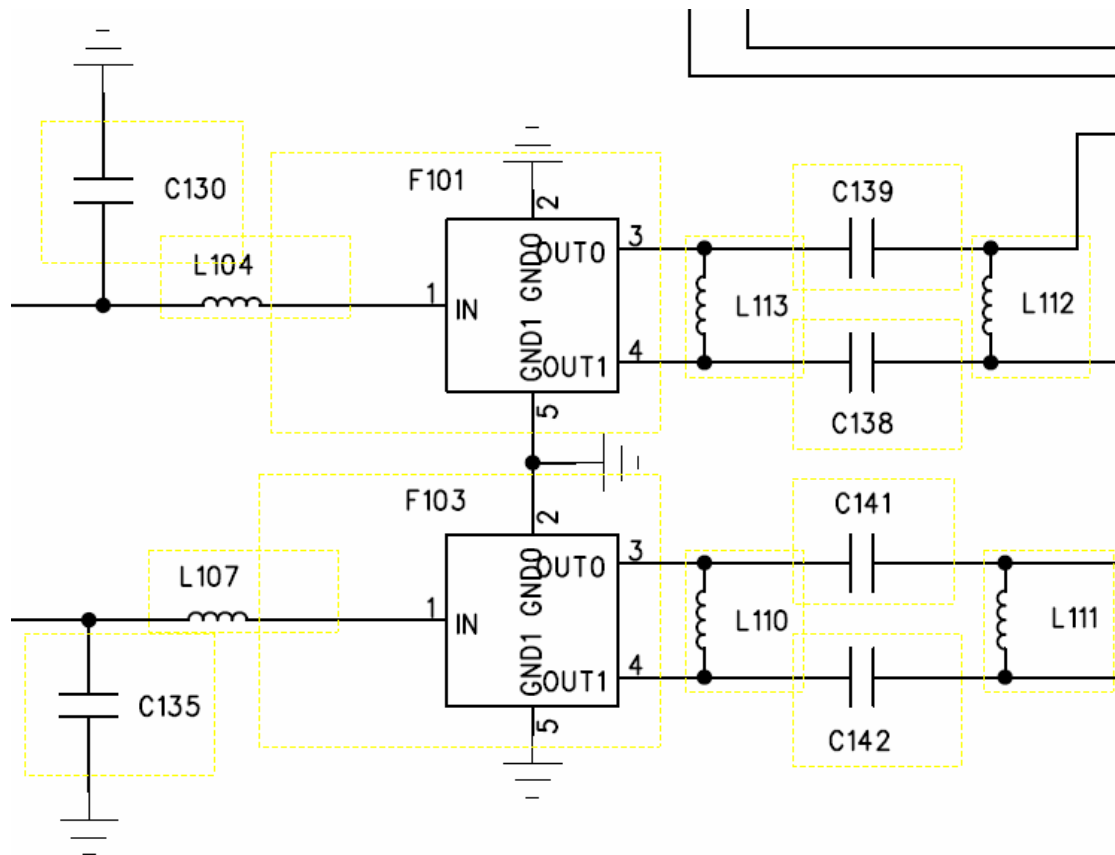


The aerial signal mobile phone received goes from GSM_ANT to RF Connector J101 . RF Connector is a special parts developed for RF test. By connecting RF cable to spectrum analyzer, you can measure RF signal.

Signal output from RF Connector will be input to GSM double band front-end module U101 (integrated with RF PA).CPU output signals to the ports of U101,such as GpCtrl0 , GpCtrl1, GpCtrl2 and TX_ENABLE . TX_ENABLE will be incharge of GSM double band front-end module U101 in relative Band(GSM850、 PCS1900)and in TX/RX or standby status as below figure.

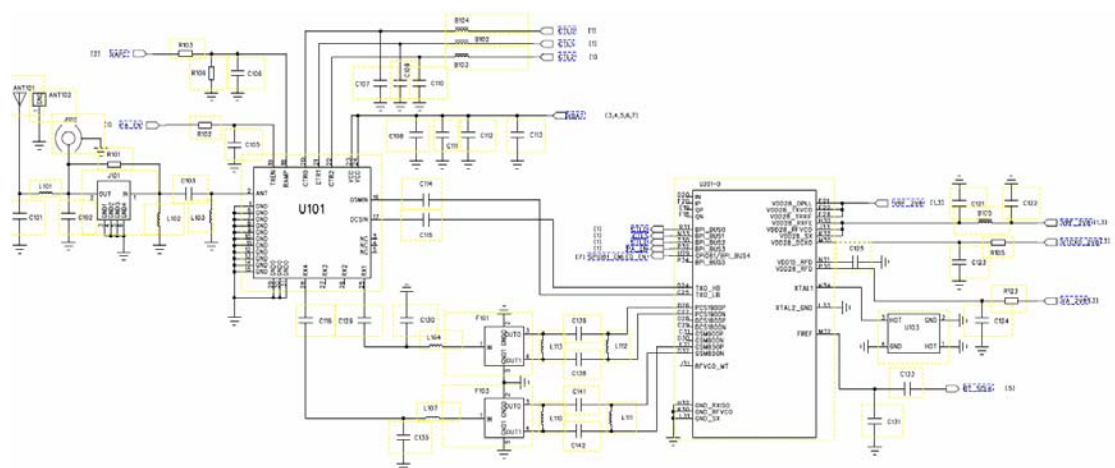
TX_ENABLE	GpCtrl2	GpCtrl1	GpCtrl0	TX Module Mode
0	0	0	0	Default
0	1	0	0	RX1
0	0	0	1	RX4
1	0	1	0	850 TX
1	1	1	0	1900 TX

2 RX SAW Filter SCH (page 1)



The RX signal output from RF SW, than input SAW filter .changed two difference signals in SAW filter, than input the BB transceiver of U201(MT6253).

3 RF part schematic (page 1)

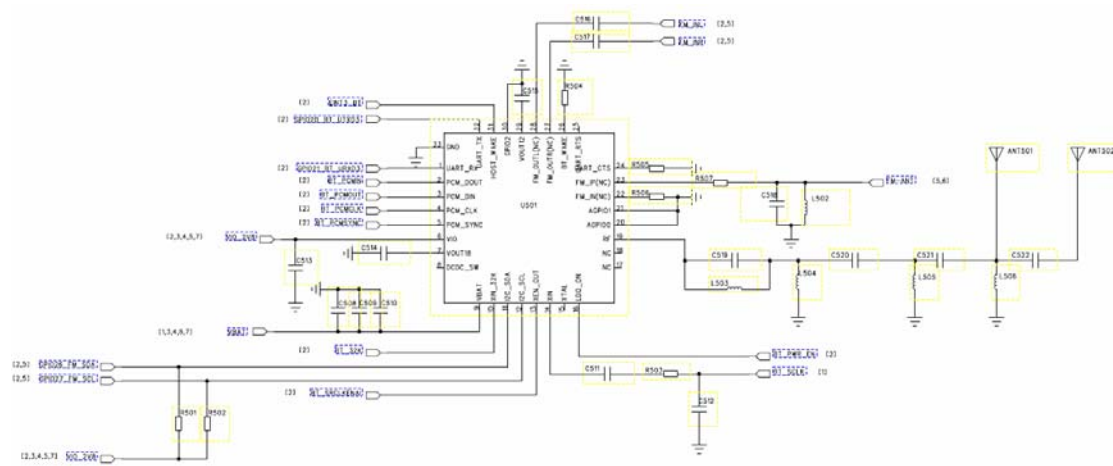


The RF overall schematic as up. It contains the TX path and RX path. The signal received from the air will be demodulated in CPU through RX SAW and Transceiver, Then the original voice signal will driver the receiver.

At the same time the signal from microphone will be sent to transceiver through CPU,

then be amplified by RF PA, at last sent to air from the antenna switch.

4 BT part schematic (page 5)



The Bluetooth overall schematic as up. RDA5876 is a highly integrated Bluetooth IC ,which is compliant with Bluetooth 2.1 + EDR specification and provides an optimal solution for data and voice application.it includes powerfull processing capabilities with rich features and a high performance transceiver ,all in a compact single package.