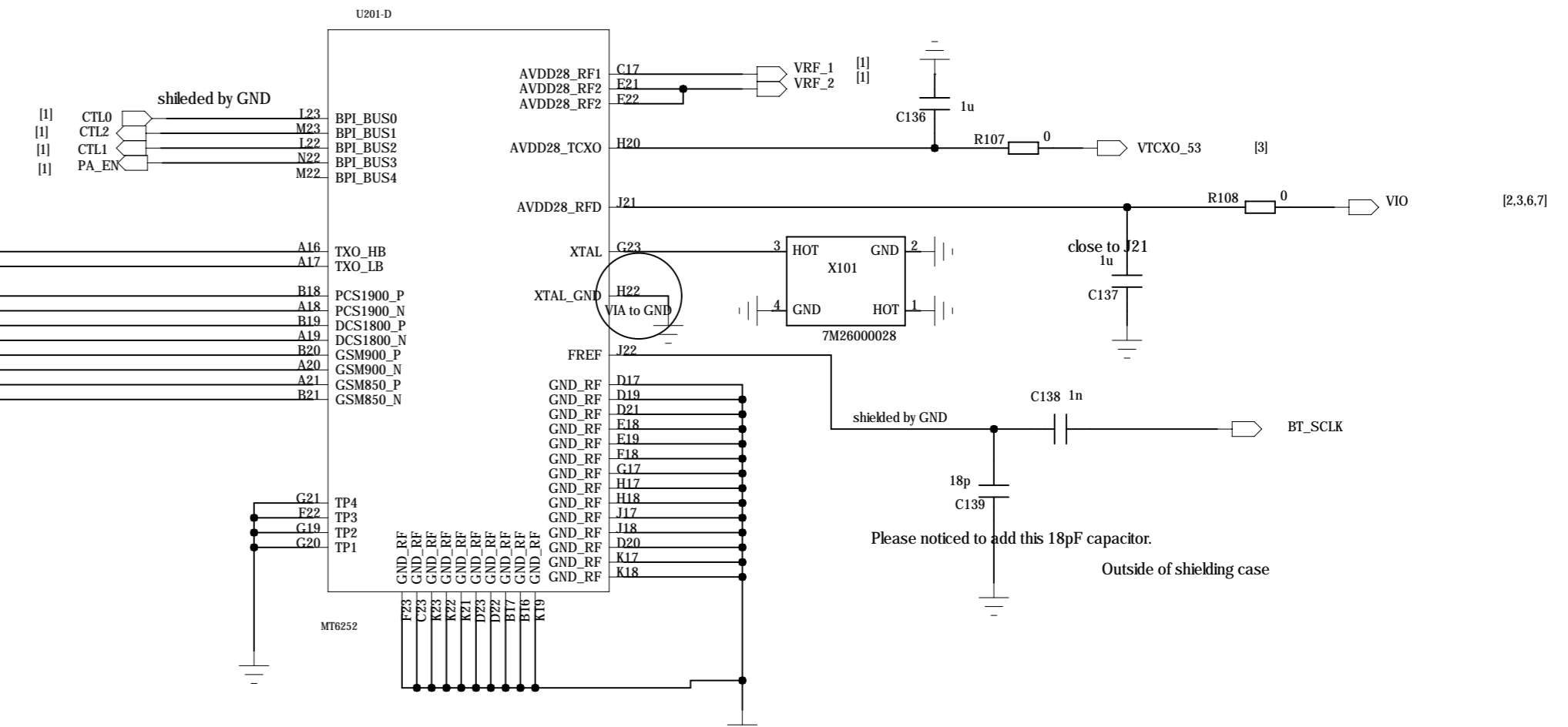
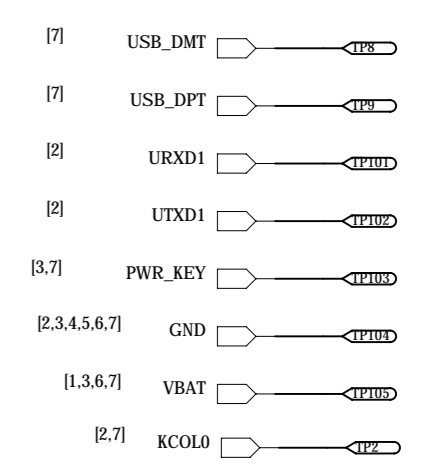
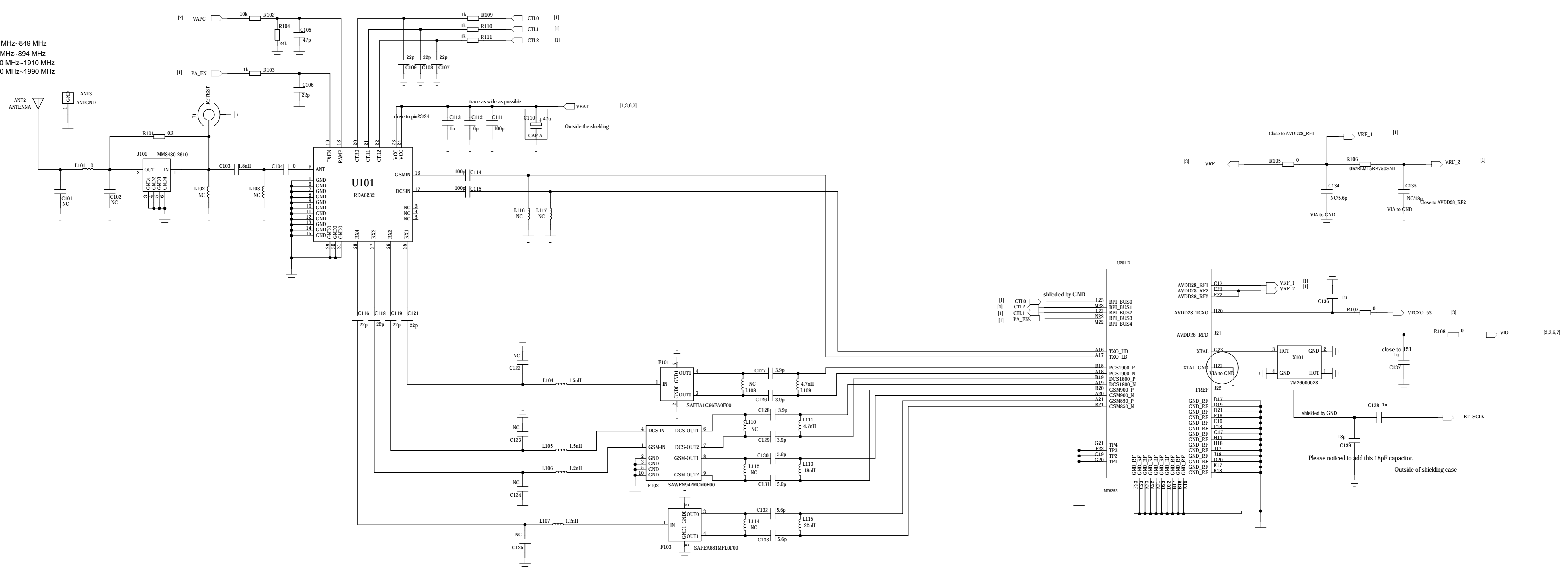
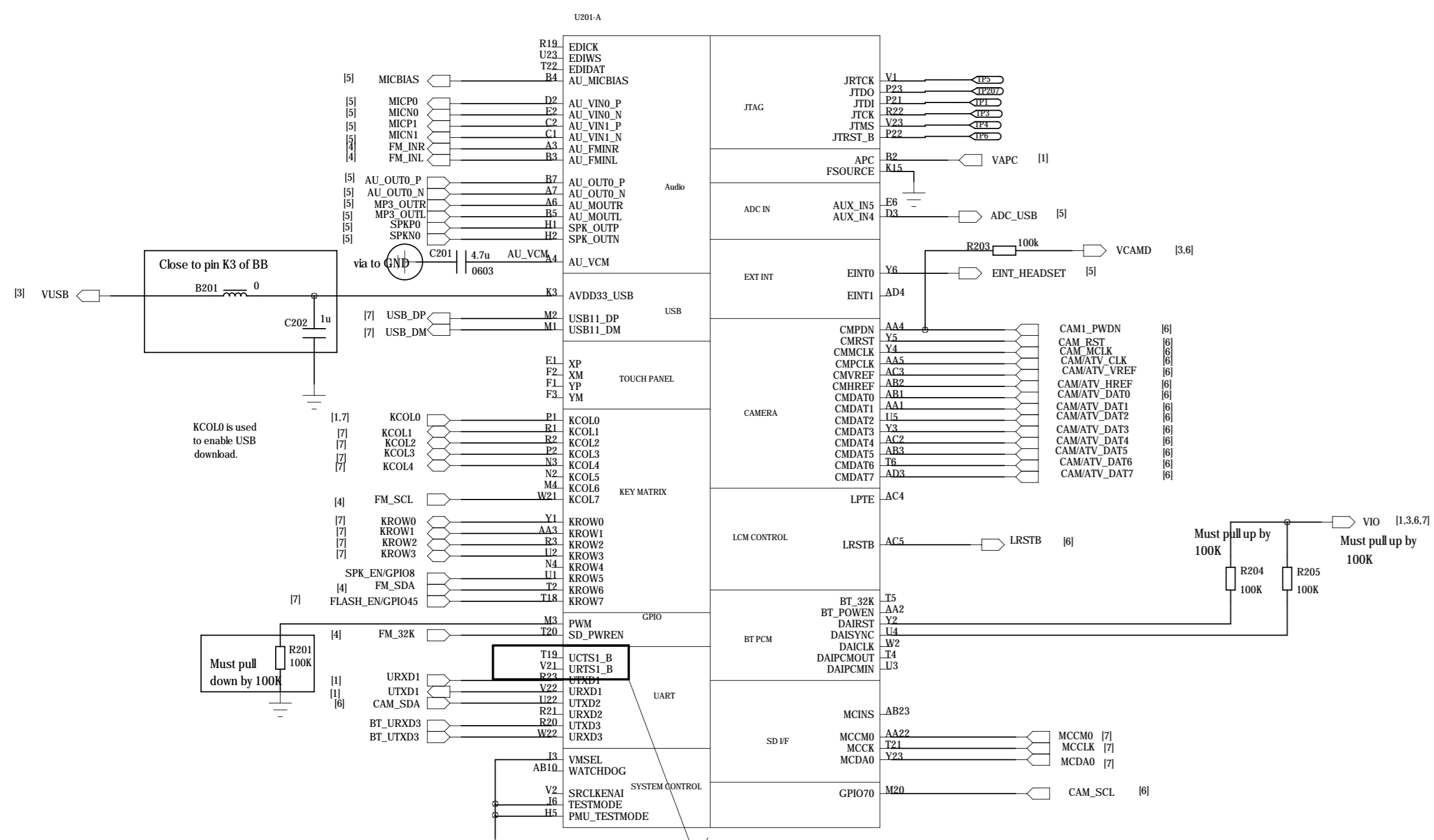


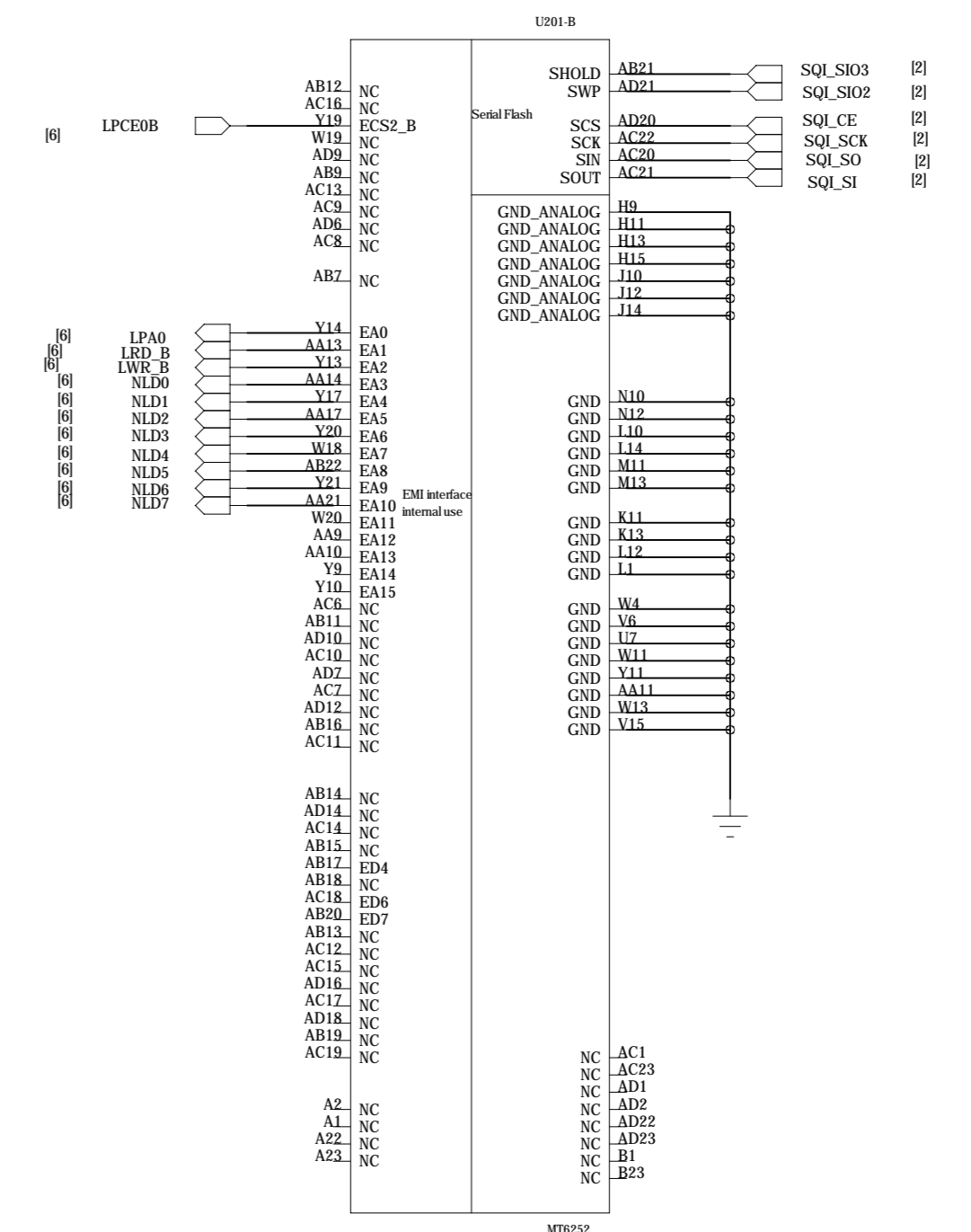
GSM 850-Tx:824 MHz~849 MHz
Rx:869 MHz~894 MHz
PCS1900-Tx:1850 MHz~1910 MHz
Rx:1930 MHz~1990 MHz



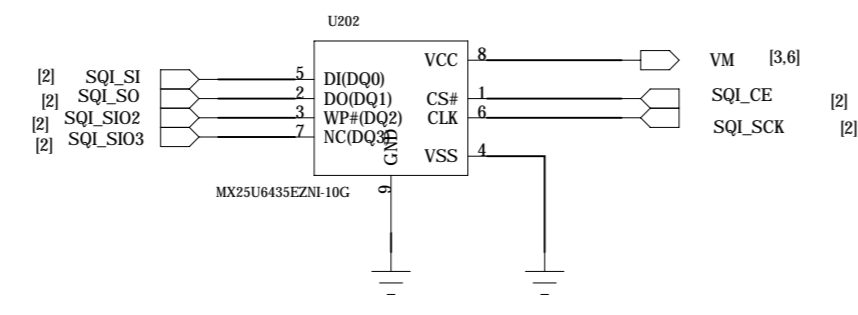


MT2525
 The power domain of these 2 pins are VDD. EML Don't connect these 2 pins to 2.8V
 UART interface for the purpose of Hardware flow control. If you need 2.8V
 Hardware flow control, please use the pin mux of KROW3 and KCOL3 or UTXD2 and
 URXD2.

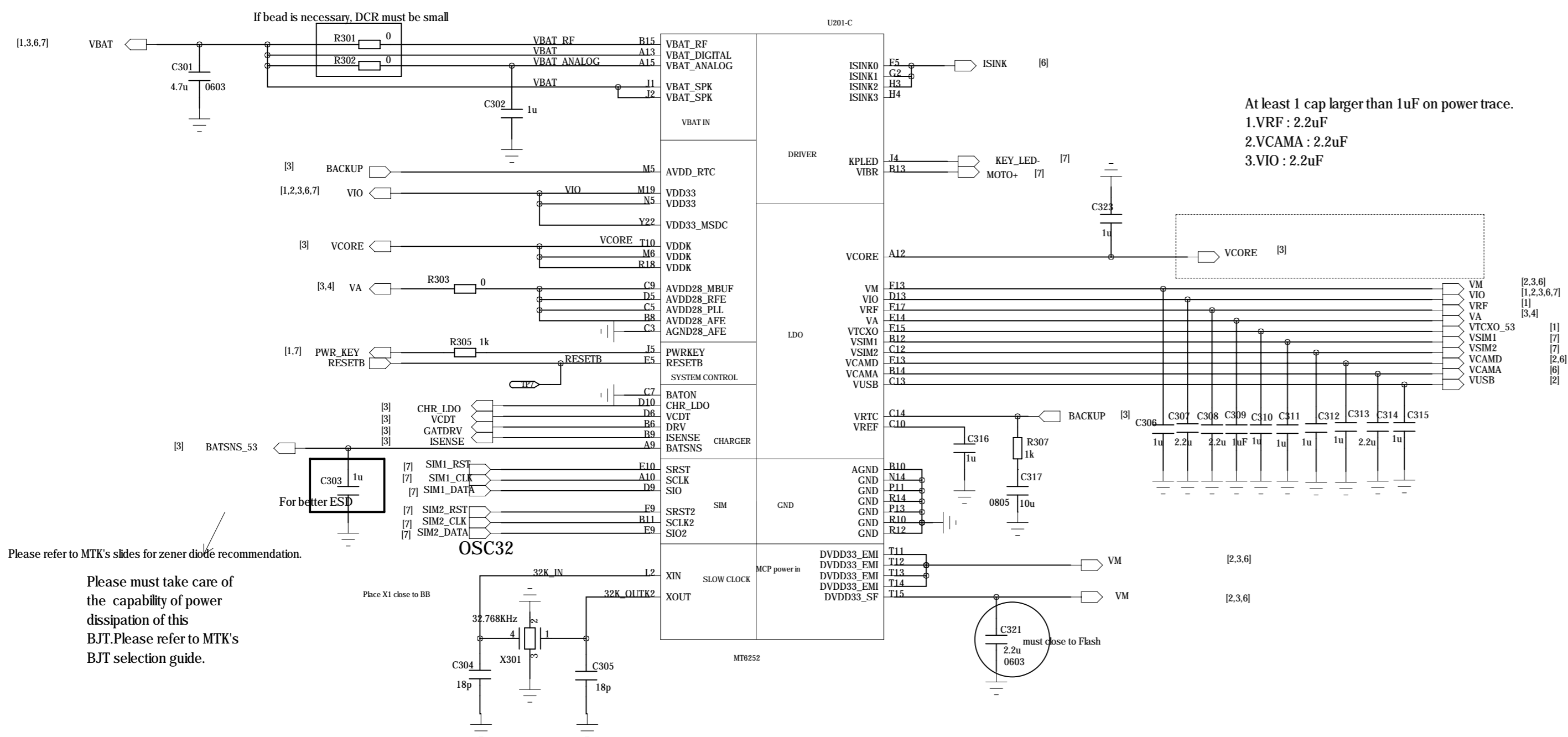
SHOLD : SIO3
 SWP : SIO2
 SOUT : SQL_SI : DQ0
 SIN : SQL_SO : DQ1



WSON type

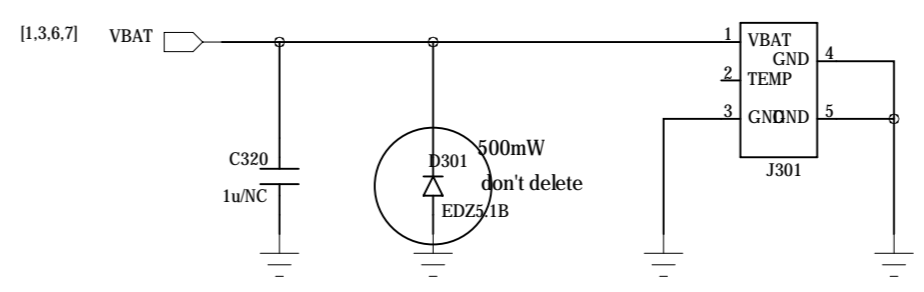
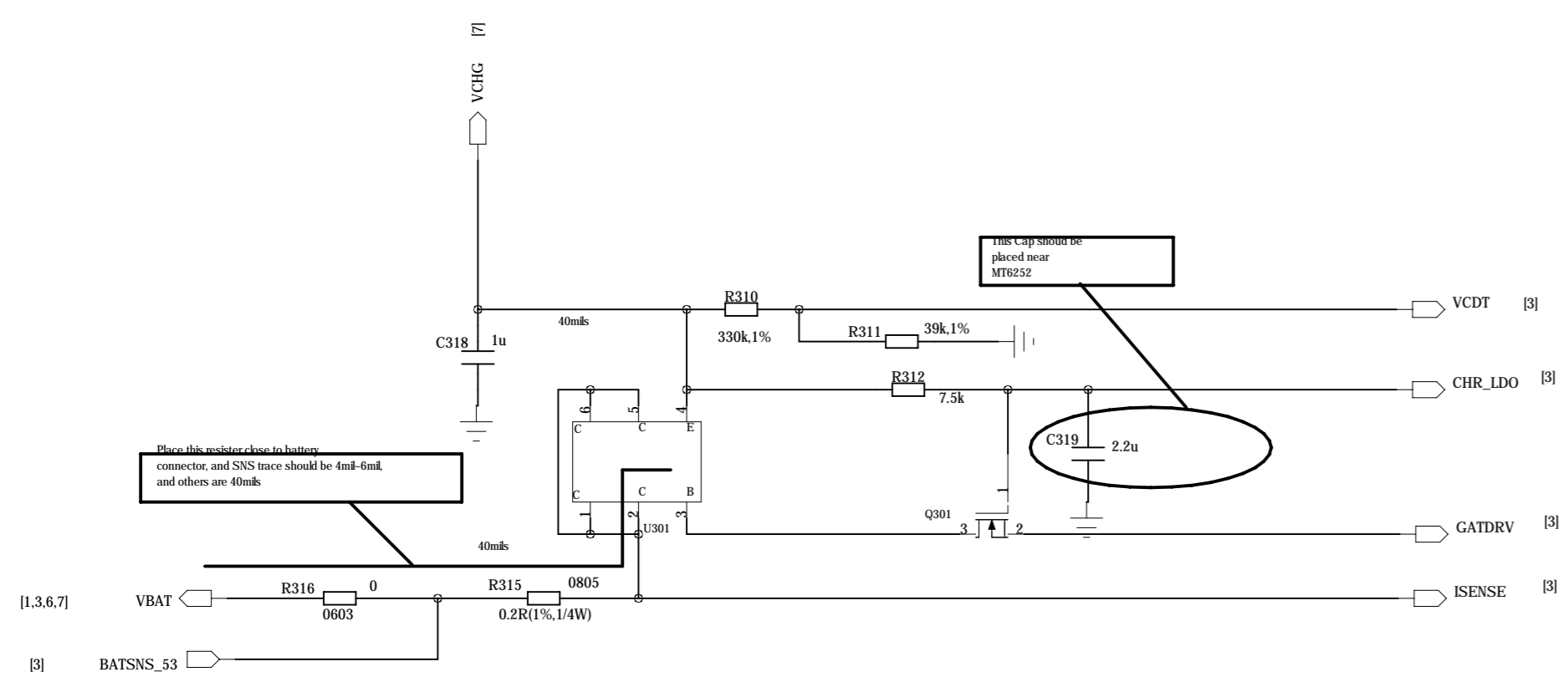


DRAWN: DYF	DATED: 20110321	COMPANY: ToneJet	
CHECKED: <Checked By>	DATED: <Checked Date>	TITLE: MT6252_KOL	
QUALITY CONTROL: <QC By>	DATED: <QC Date>	TJ CODE: <Code>	REV: V20
RELEASED: <Released By>	DATED: <Release Date>	SIZE: A1	SHEET: 2F 7



Please refer to MTK's slides for zener diode recommendation.

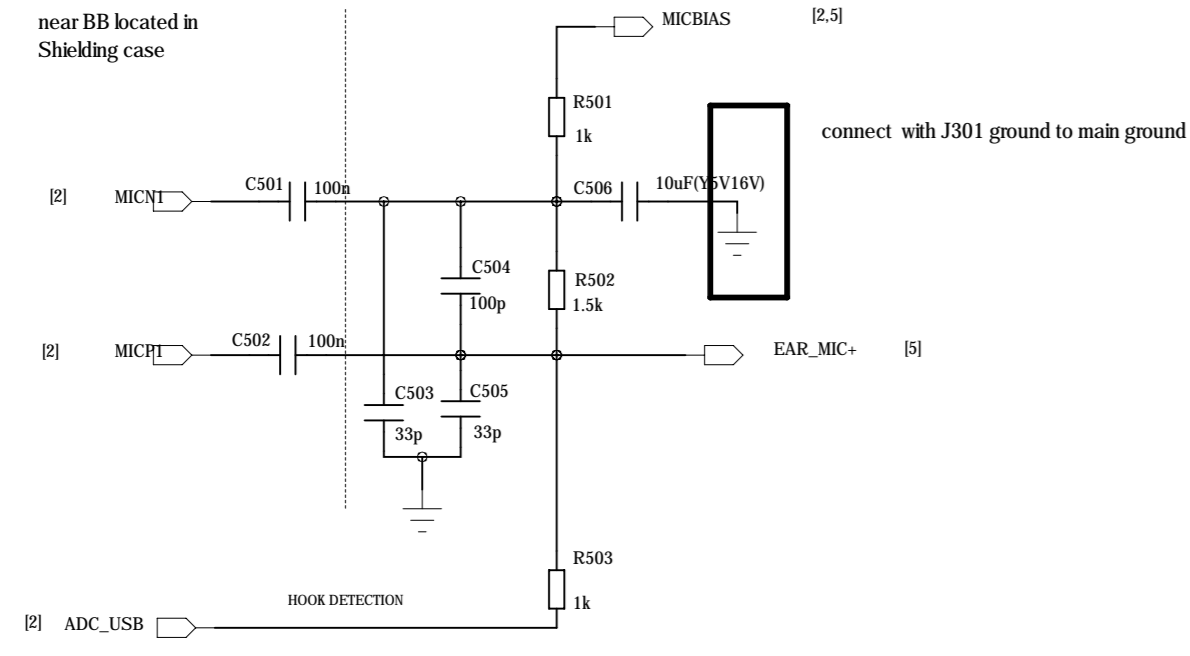
Please must take care of the capability of power dissipation of this BJT. Please refer to MTK's BJT selection guide.



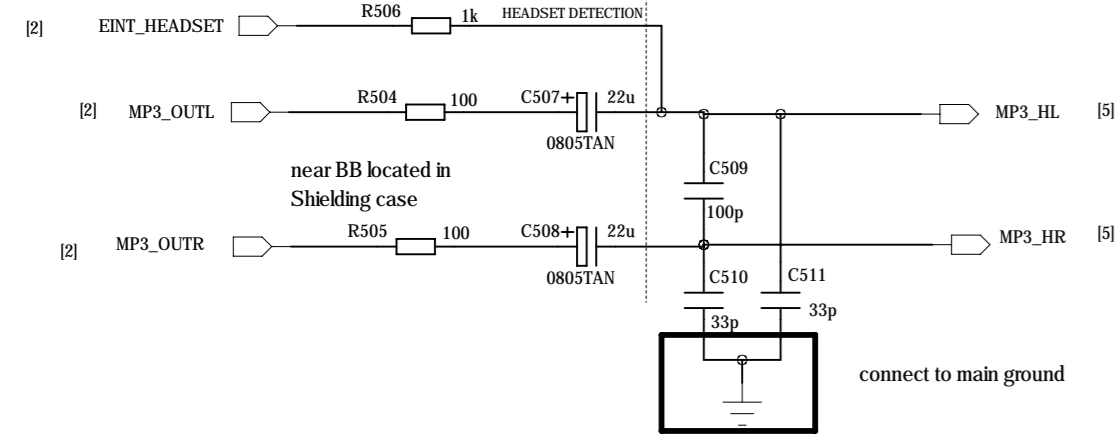
DRAWN: DYF	DATED: 20110321	COMPANY: ToneJet	
CHECKED: <Checked By>	DATED: <Checked Date>	TITLE: MT6252_KOL	
QUALITY CONTROL: <QC By>	DATED: <QC Date>	TJ CODE: <Code>	REV: V20
RELEASED: <Released By>	DATED: <Release Date>	SIZE: A1	SHEET: 3/ 7

HEADSET AUDIO

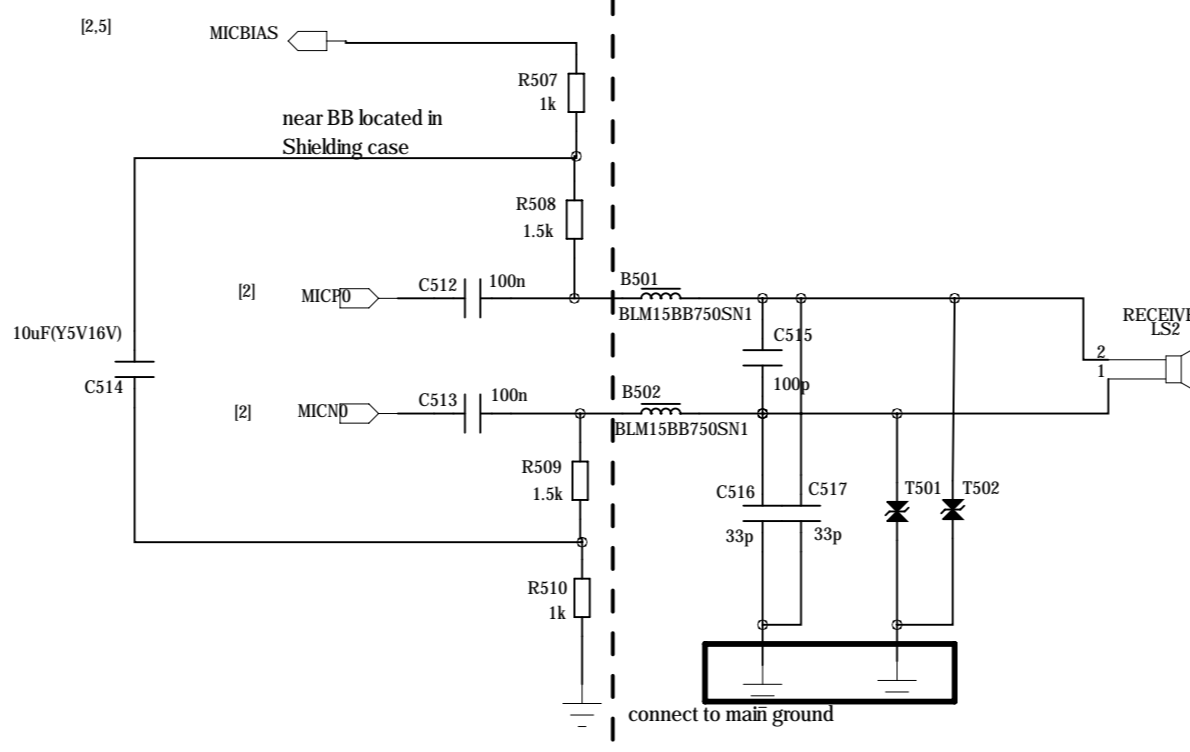
HEADSET MIC



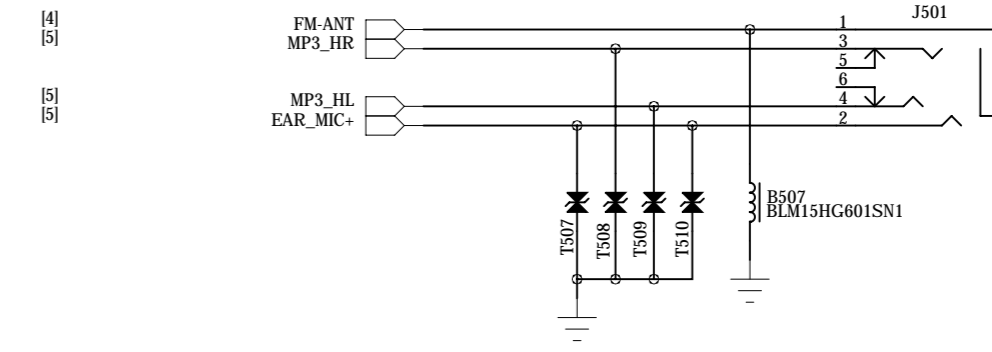
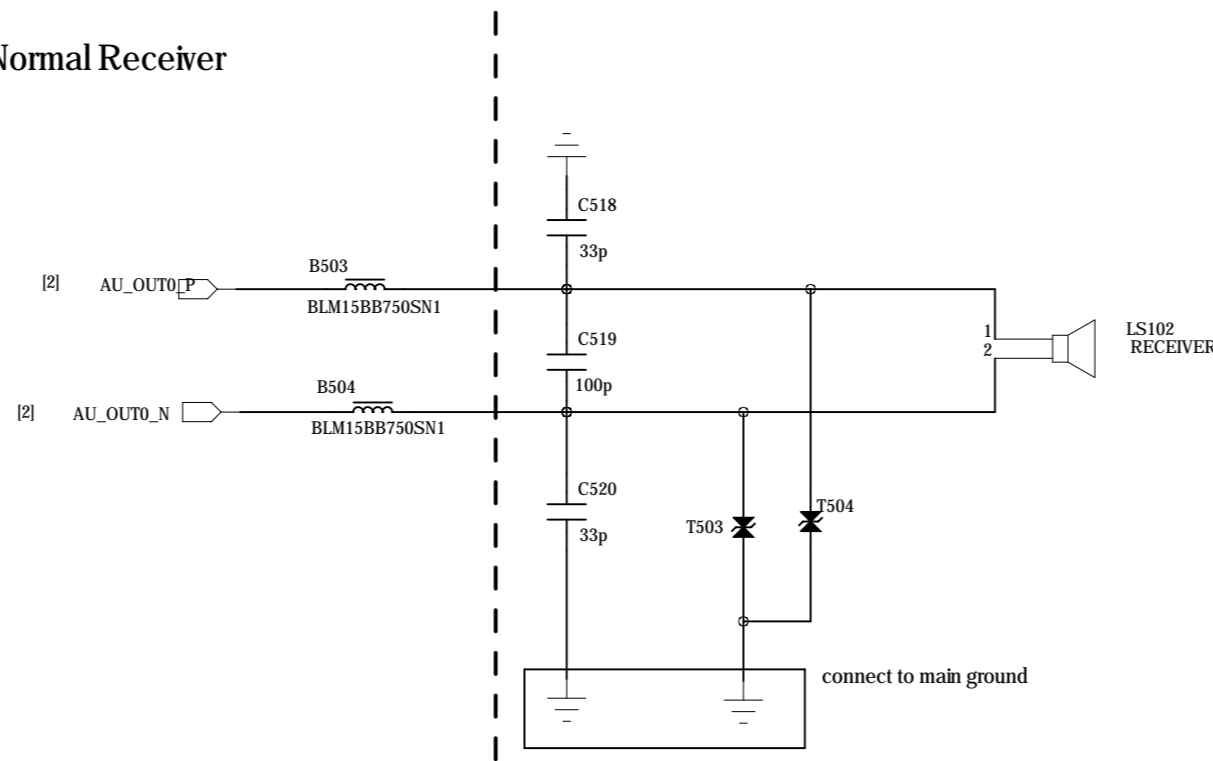
HEADSET RECEIVER



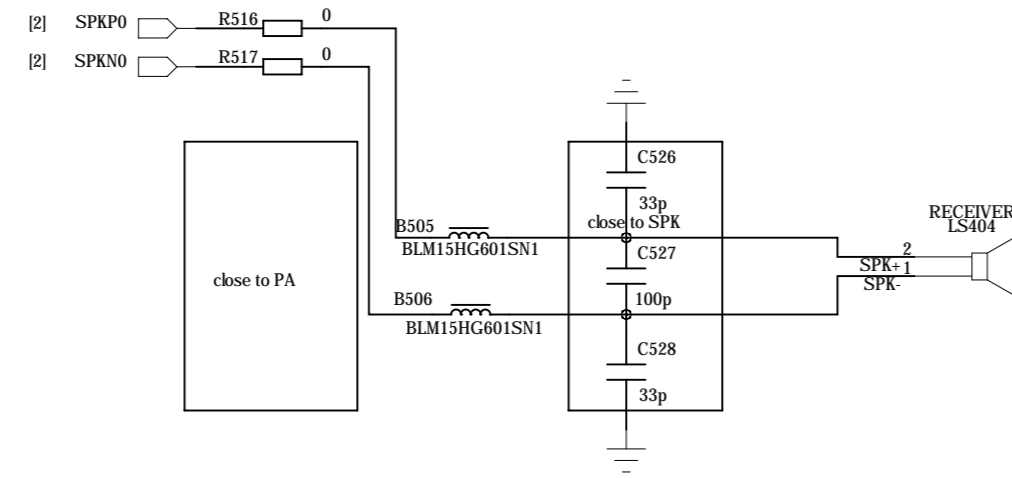
HANDSET MICROPHONE



Normal Receiver

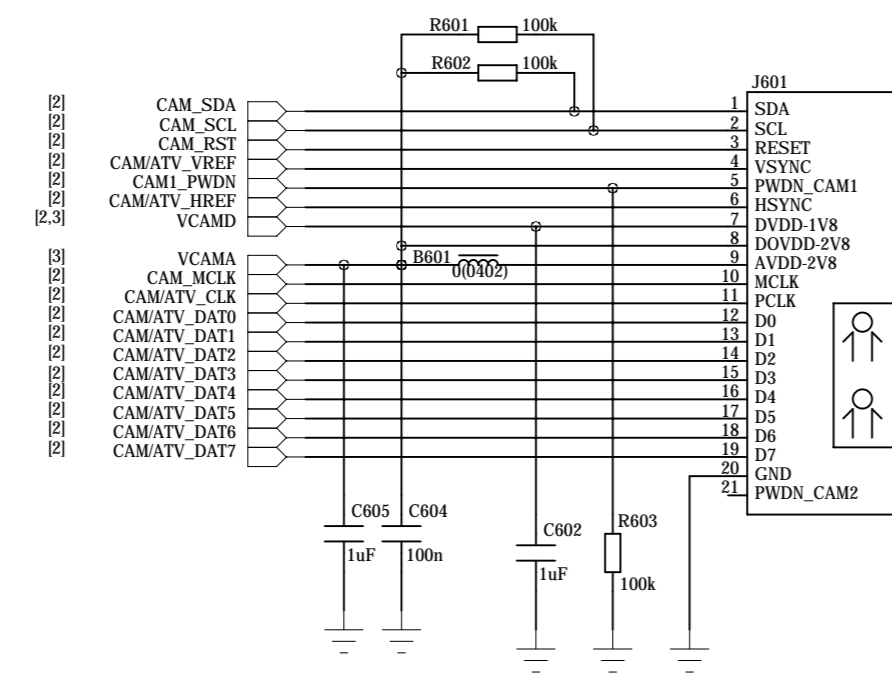


Audio Amplifier & Speaker

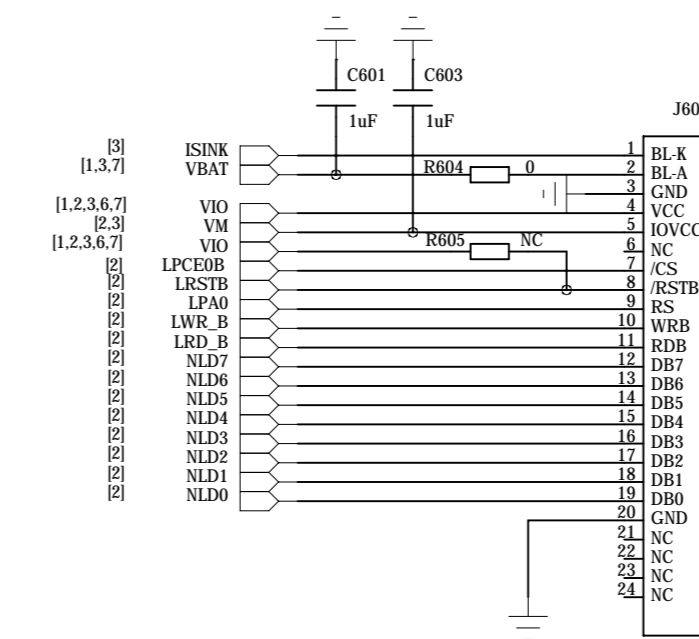


DRAWN: DVF	DATED: 20110321	COMPANY: ToneJet
CHECKED: <Checked By>	DATED: <Checked Date>	TITLE: MT6252_KOL
QUALITY CONTROL: <QC By>	DATED: <QC Date>	TJ CODE: <Code> REV: V20
RELEASED: <Released By>	DATED: <Release Date>	SIZE: A1 SHEET: 5 of 7

CAM

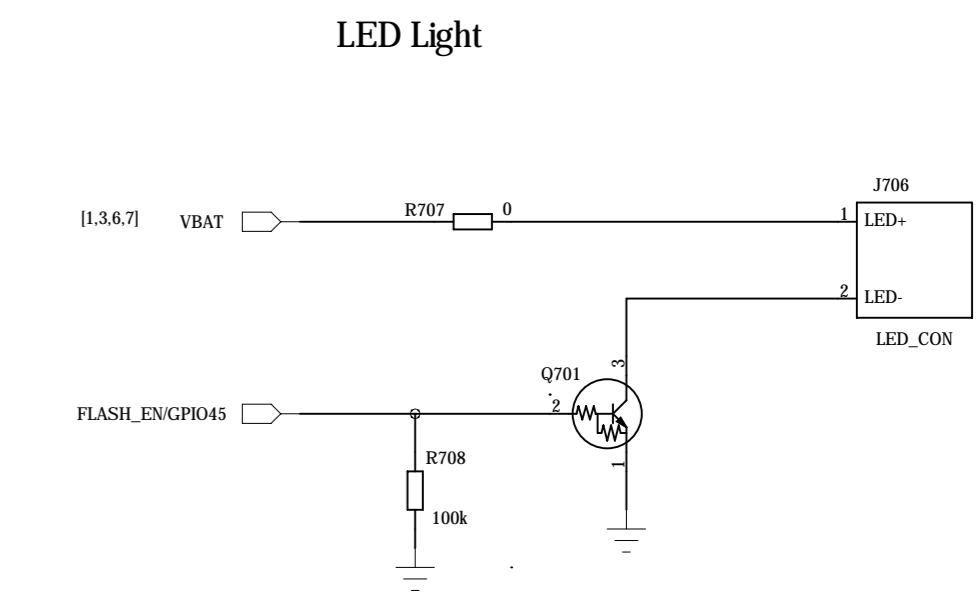
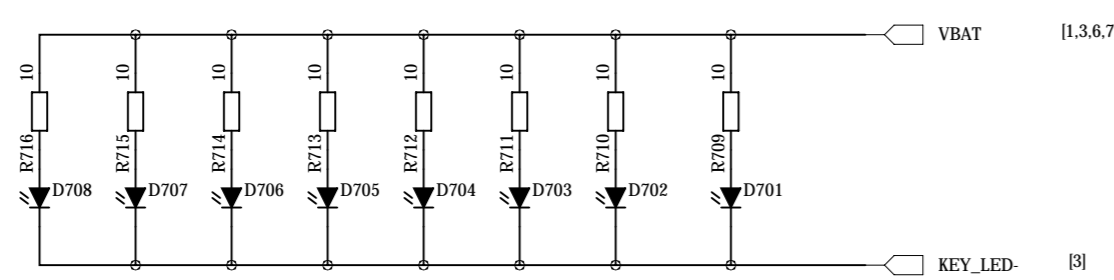
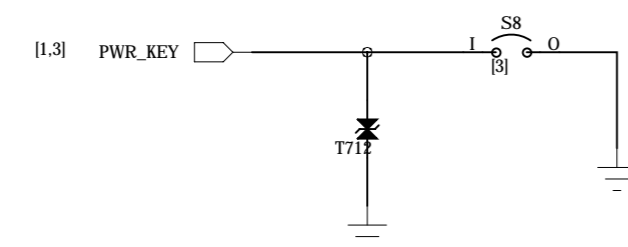
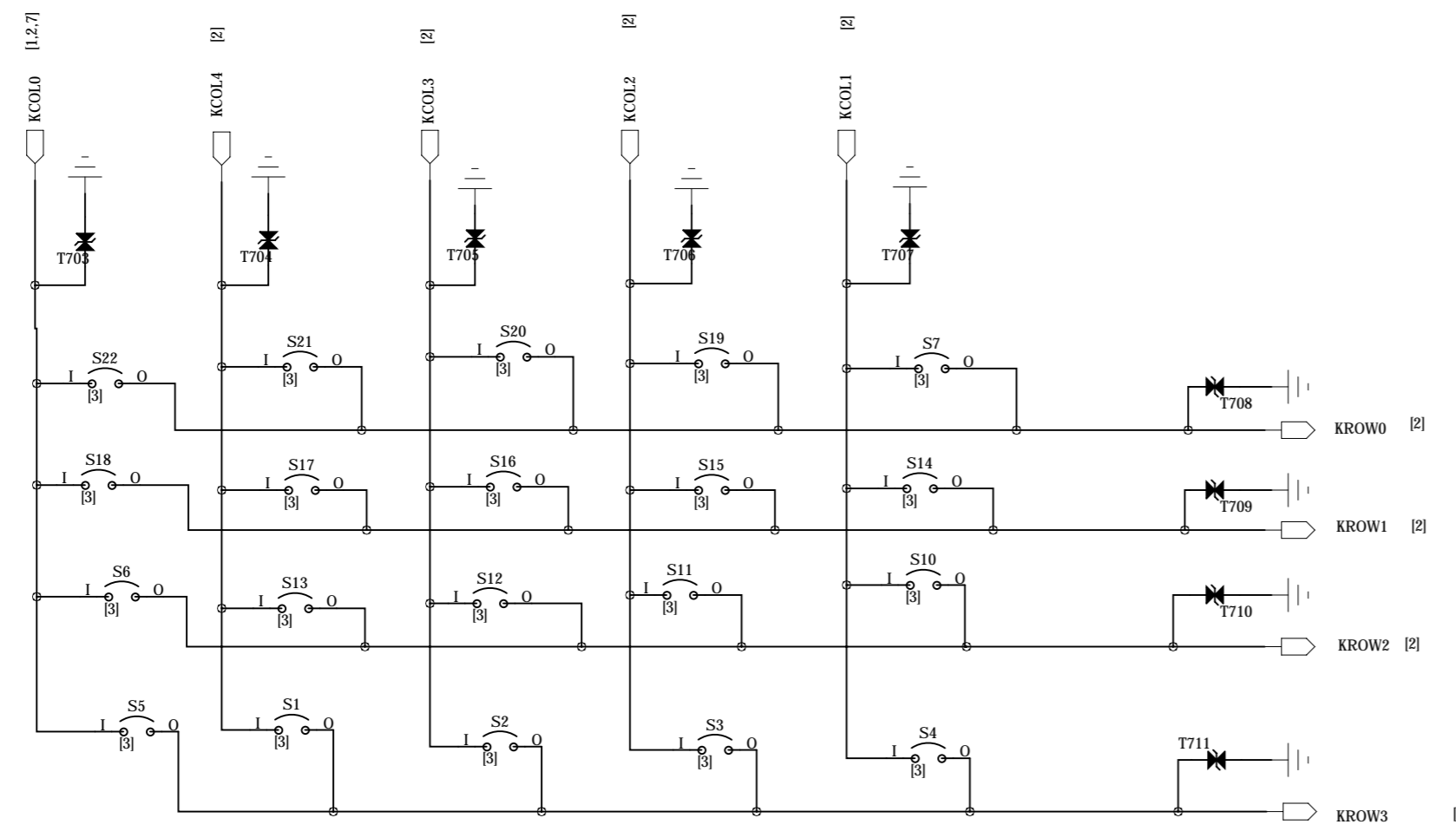
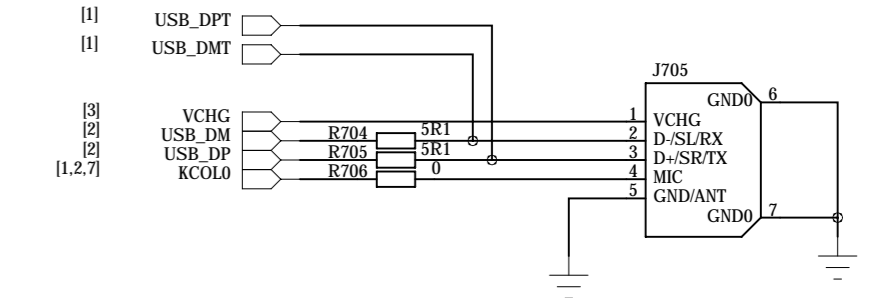
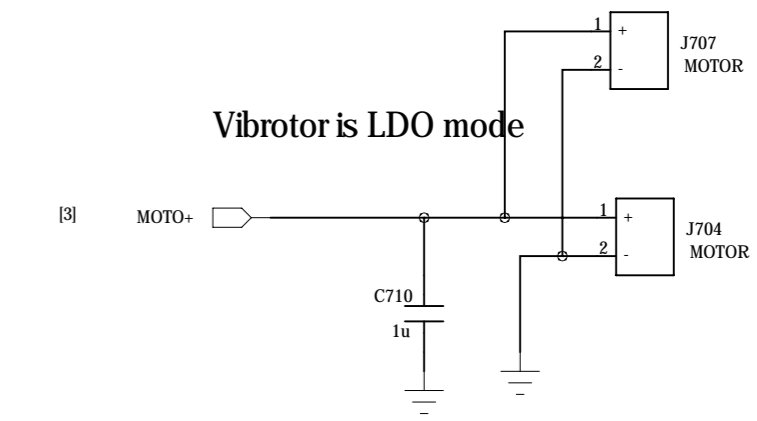
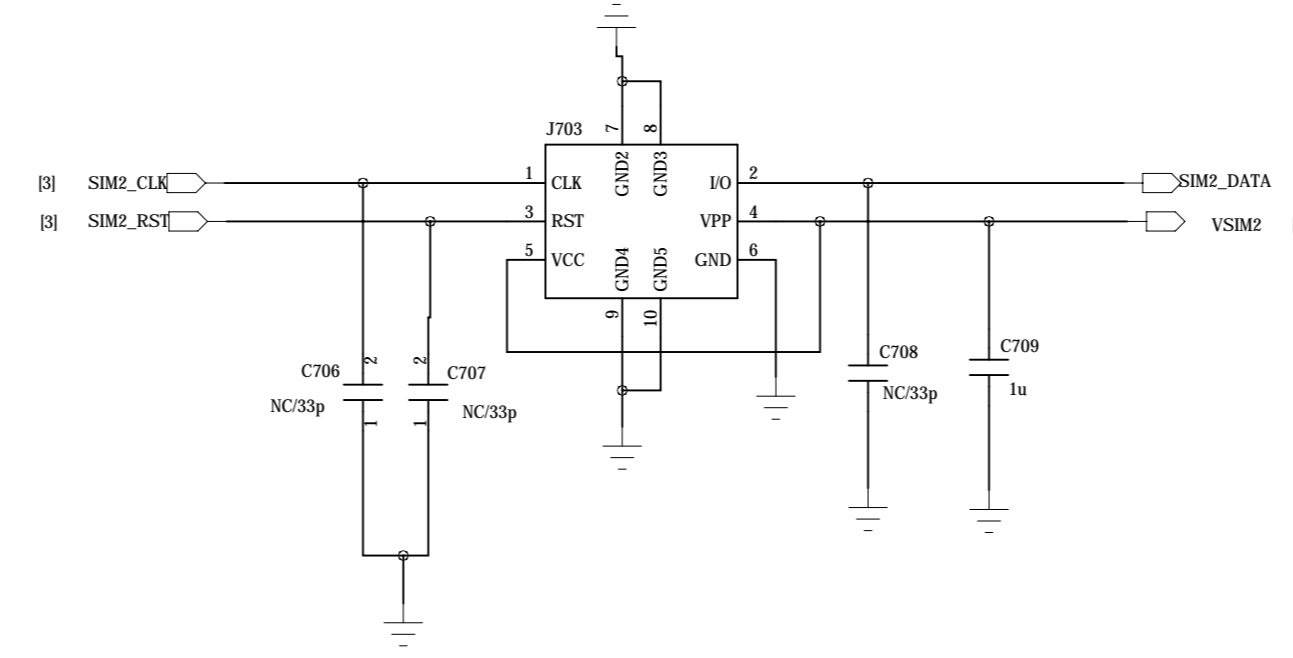
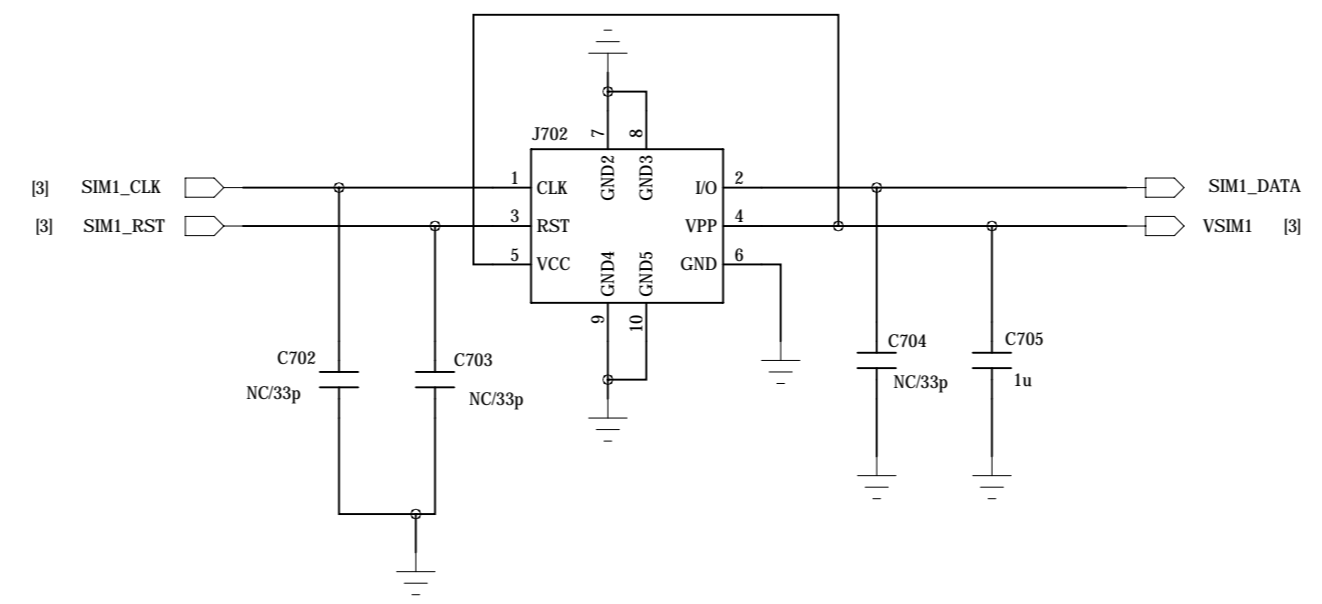
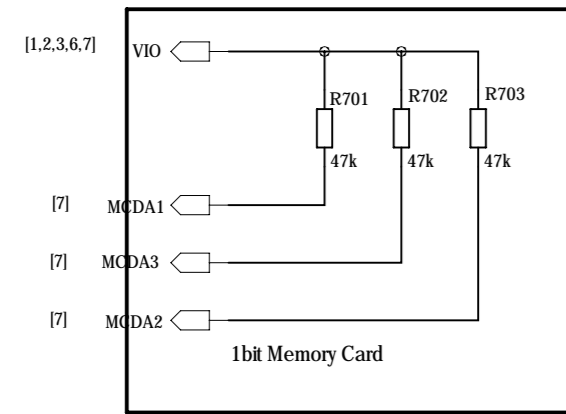
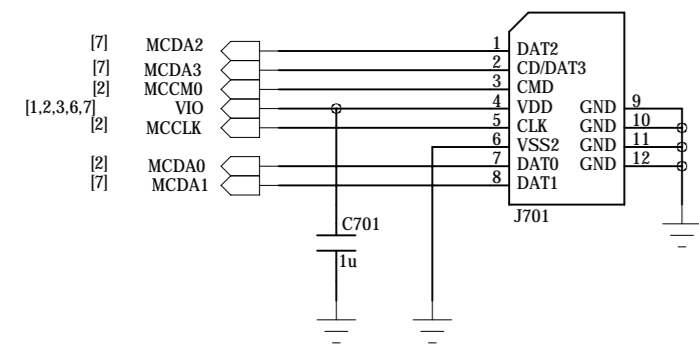


LCM



DRAWN: DYF	DATED: 20110321	COMPANY: ToneJet	
CHECKED: <Checked By>	DATED: <Checked Date>	TITLE: MT6252_KOL	
QUALITY CONTROL: <QC By>	DATED: <QC Date>	TJ CODE: <Code>	REV: V20
RELEASED: <Released By>	DATED: <Release Date>	SIZE: A1	SHEET: 6 of 7

TF Card



DRAWN: DVF	DATED: 20110321	COMPANY: ToneJet	
CHECKED: <Checked By>	DATED: <Checked Date>	TITLE: MT6252_KOL	
QUALITY CONTROL: <QC By>	DATED: <QC Date>	TJ CODE: <Code>	REV: V20
RELEASED: <Released By>	DATED: <Release Date>	SIZE: A1	SHEET: 7 of 7