

Circuit description

1 RX antenna switch SCH (Refer to SCH page1)

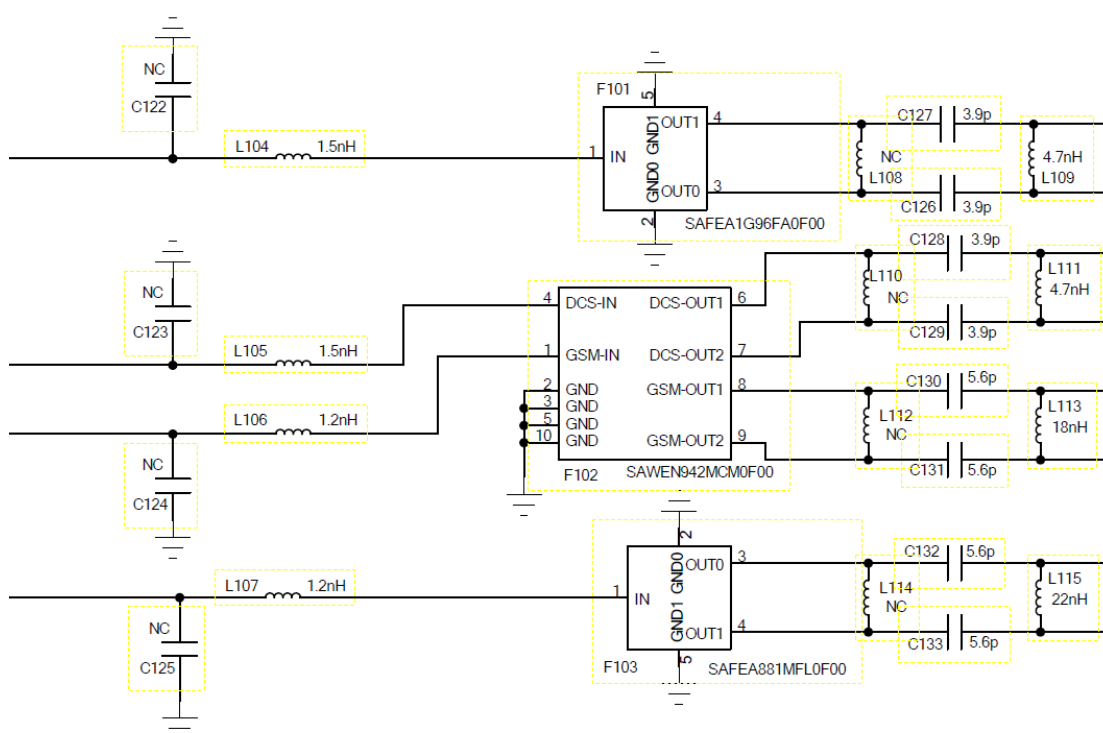
The aerial signal mobile phone received goes from antenna to RF Connector.

RF Connector, which is a special parts developed for RF test. By connecting RF cable to spectrum analyzer, you can measure RF signal.

Signal output from RF Connector will be input to GSM Qual band front-end module U101 (integrated with RF PA).CPU output CTL0 , CTL1, CTL2 and TX_ENABLE signals , which will be incharge of GSM Qual band front-end module U101 in relative Band(GSM850、 GSM900、 DCS1800,PCS1900)andin TX/RX or standby status as below figure

	CTR2	CTR1	CTR0	TXEN	RAMP
Default	0	0	0	0	-
Power Down	0	0	0	0	
GSM TX On	0	1	0	1	-
DCS TX On	0	1	1	1	-
RX1 On	1	0	0	0	-
RX2 On	0	1	0	0	-
RX3 On	0	1	1	0	-
RX4 On	0 </td <td>0</td> <td>1</td> <td>0</td> <td>-</td>	0	1	0	-

2 RX SAW Filter SCH



The RX signal output from RF SW, than input SAW filter .changed two difference signals in SAW filter, than input the BB transceiver of U201(MT6252)

3.RF part schematic

The RF overall schematic as up. It contains the TX path and RX path. The signal received from the air will be demodulated in CPU through RX SAW and Transceiver, Then the original voice signal will driver the receiver.

At the same time the signal from microphone will be sent to transceiver through CPU, then be amplified by RF PA, at last sent to air from the antenna switch.