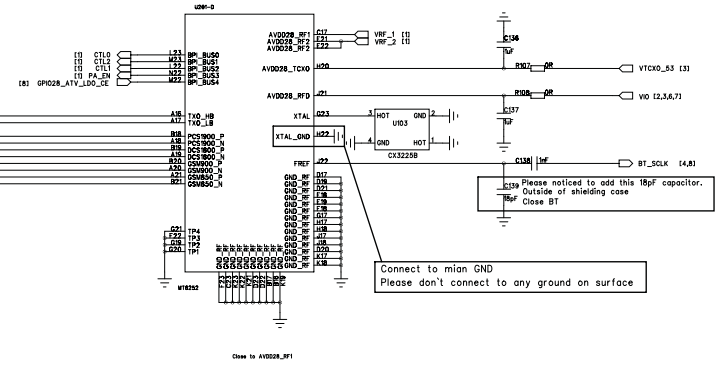
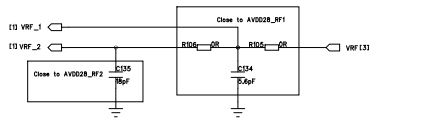


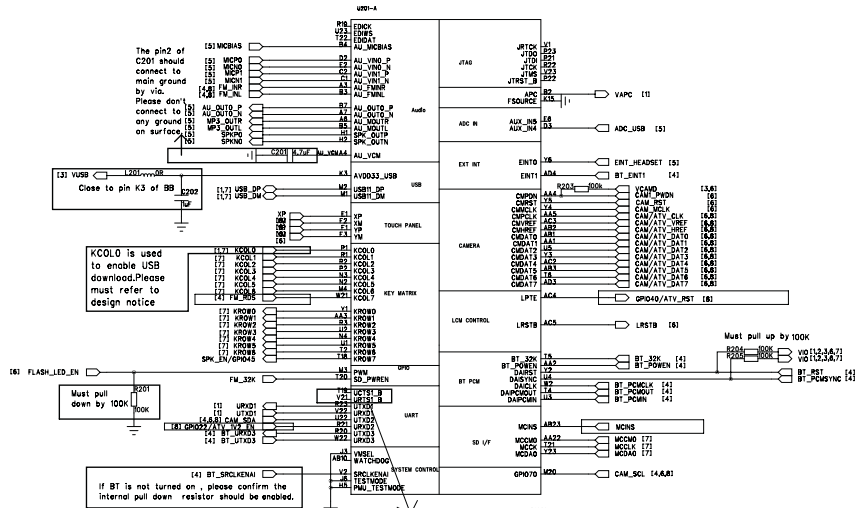
GSM850:880-915MHz(TX),925-960MHz (RX);
 PCS1900:1710-1785MHz(TX), 1805-1880 MHz (RX);

- 12,71 USB_DM
- 12,71 USB_DP
- 121 URXD1
- 121 UTXD1
- 13,71 PWR_KEY
- 12,3,4,5,6,7,81 GND
- 12,3,4,5,6,7,81 VBAT
- 12,71 KC0LD



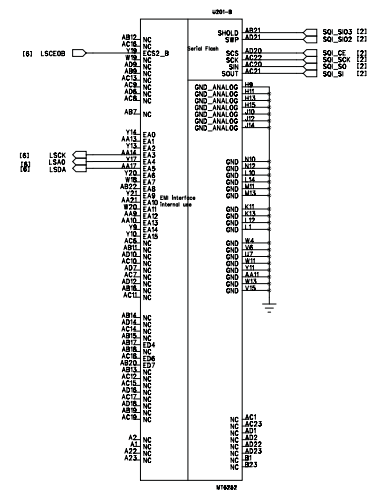
Connect to main GND
 Please don't connect to any ground on surface

DRAWN: DVF	DATED: 2010628	COMPANY:
CHECKED: <Checked By>	DATED: <Checked Date>	TITLE:
QUALITY CONTROL: <QC By>	DATED: <QC Date>	TJ CODE: <Code>
RELEASED: <Released By>	DATED: <Release Date>	SIZE: A1
REV: V10	SHEET: 1 of 10	

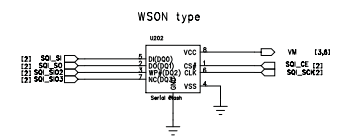


The power domain of these 2 pins are VDD_EMI. Don't connect these 2 pins to 2.8V UART interface for the purpose of Hardware flow control! you need 2.8V Hardware flow control, please use the pin mux of KROW3 and KCOL3 or UTXD2 and URXD2.

SHOLD : SIO3
 SWP : SIO2
 SOUT : SIO_SI : D00
 SIN : SIO_SO : D01



Memory

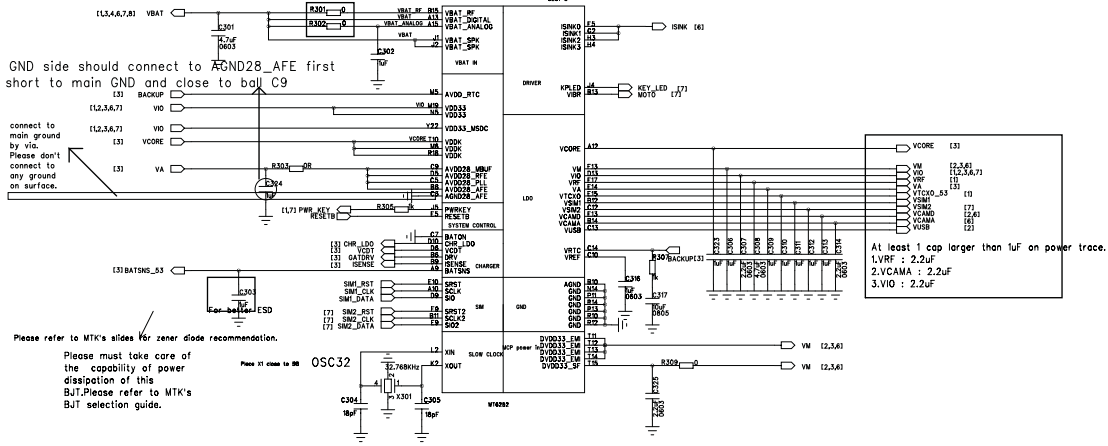


SHOLD : SIO3
 SWP : SIO2
 SOUT : SIO_SI : D00
 SIN : SIO_SO : D01

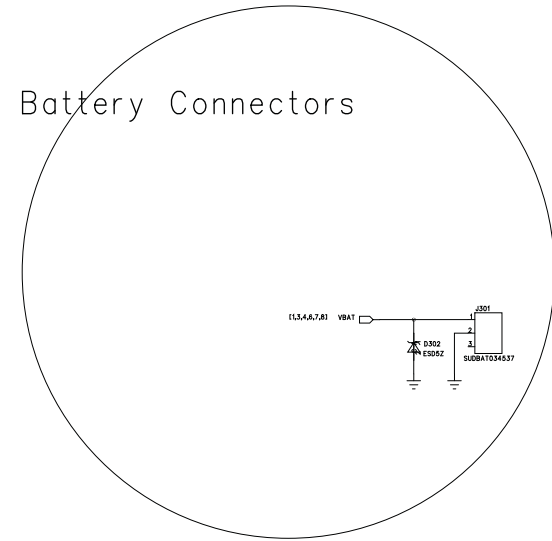
DRAWN: DFF	DATE: 20110628	COMPANY:
CHECKED: <Checked By>	DATE: <Checked Date>	TITLE:
QUALITY CONTROL: <QC By>	DATE: <QC Date>	TJ CODE: <Code>
RELEASED: <Released By>	DATE: <Release Date>	REV: V10
SIZE: A1	SHEET: 2 OF 10	

BB PMU

If bead is necessary, DCR must be small

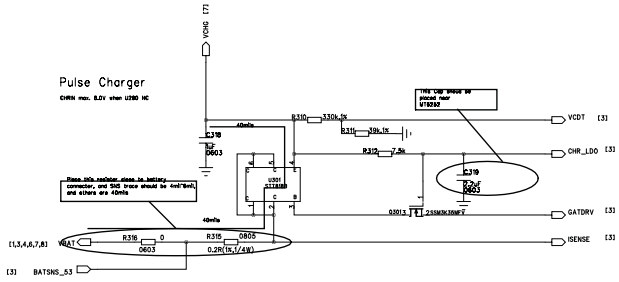


Battery Connectors



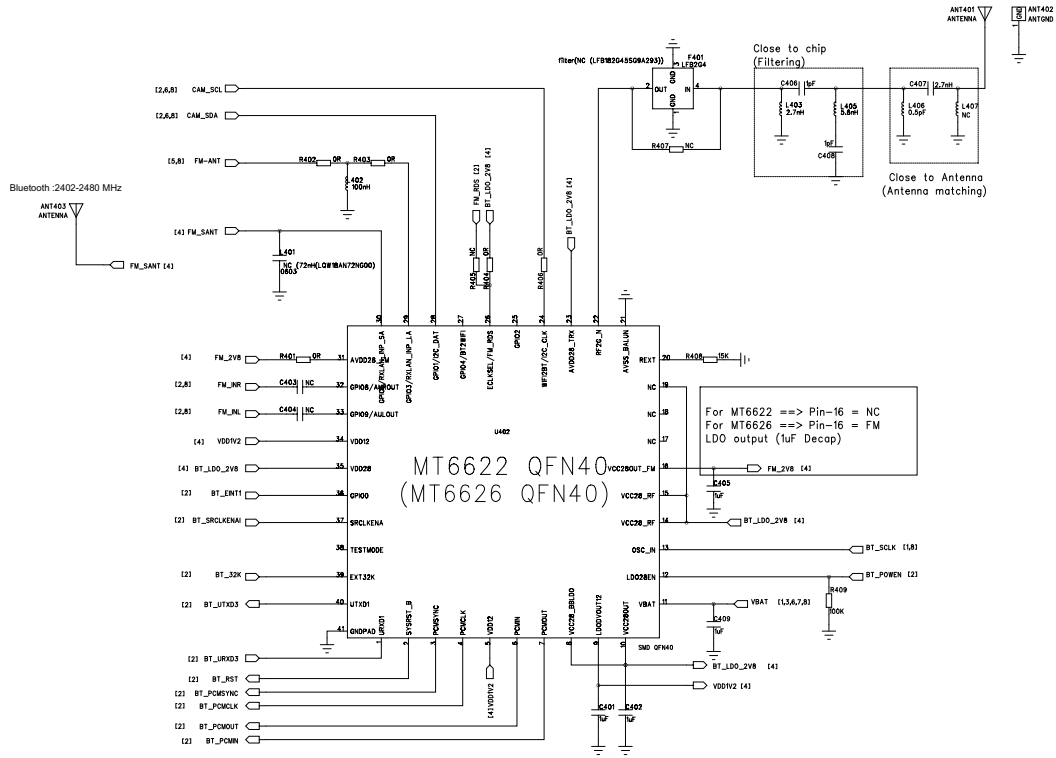
Pulse Charger

CHRG max. 8.2V when U202 IC



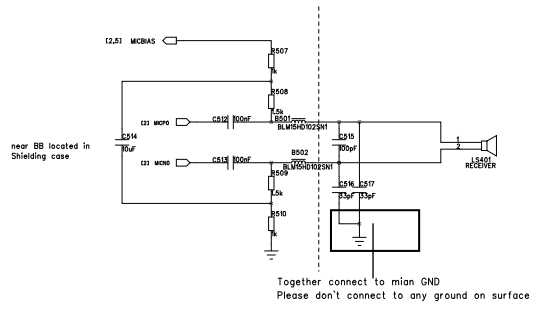
DRAWN: DYF	DATED: 2010628	COMPANY:
CHECKED: <Checked By>	DATED: <Checked Date>	TITLE:
QUALITY CONTROL: <QC By>	DATED: <QC Date>	TJ CODE: <Code>
RELEASED: <Released By>	DATED: <Release Date>	REV: V10
	SIZE: A1	SHEET: 3 of 10

BlueTooth

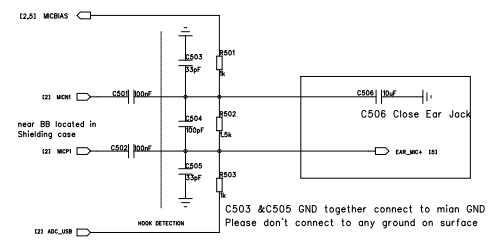


DRAWN: DYF	DATED: 20110628	COMPANY:
CHECKED: <Checked By>	DATED: <Checked Date>	TITLE:
QUALITY CONTROL: <QC By>	DATED: <QC Date>	TJ CODE: <Code>
RELEASED: <Released By>	DATED: <Release Date>	REV: V10
	SIZE: A1	SHEET: 4 of 10

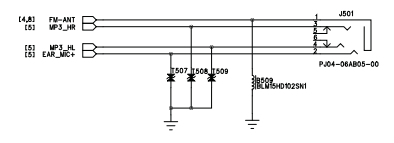
Normal Microphone



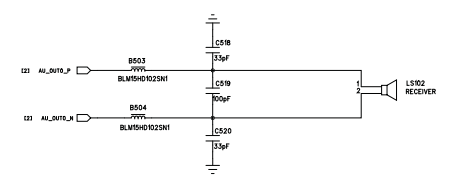
Earphone Microphone



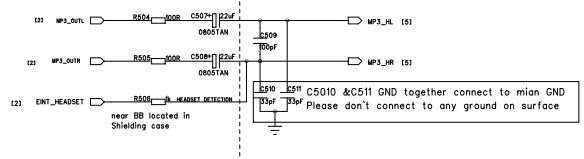
Ear JACK



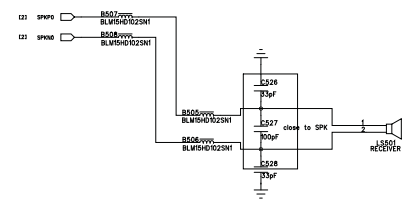
Normal Receiver



Earphone Receiver

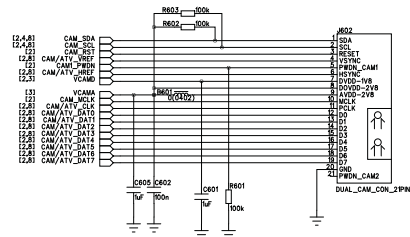


Audio Amplifier & Speaker



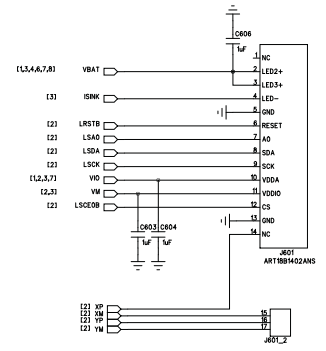
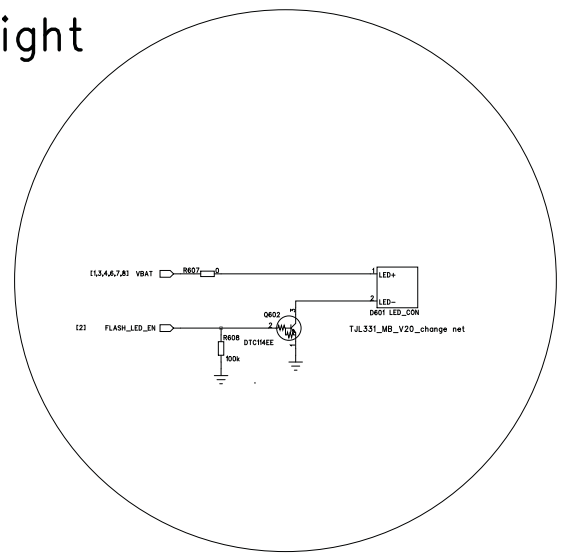
DRAWN: DYF	DATED: 2010628	COMPANY:
CHECKED: <Checked By>	DATED: <Checked Date>	TITLE:
QUALITY CONTROL: <QC By>	DATED: <QC Date>	TJ CODE: <Code>
RELEASED: <Released By>	DATED: <Release Date>	REV: V10
	SIZE: A1	SHEET: 5 of 10

Main Camera



LCM

LED Light



DRAWN: DYF	DATED: 2010628	COMPANY:
CHECKED: <Checked By>	DATE: <Checked Date>	TITLE:
QUALITY CONTROL: <QC By>	DATE: <QC Date>	TJ CODE: <Code>
RELEASED: <Released By>	DATE: <Release Date>	REV: V10
SIZE: A1	SHEET: 6	OF 10

Place C817next to pins20and25
 Place C818next to pins40
 Place C819next to pins46

Place C820next to pins48and3
 Place C821next to pins42and43

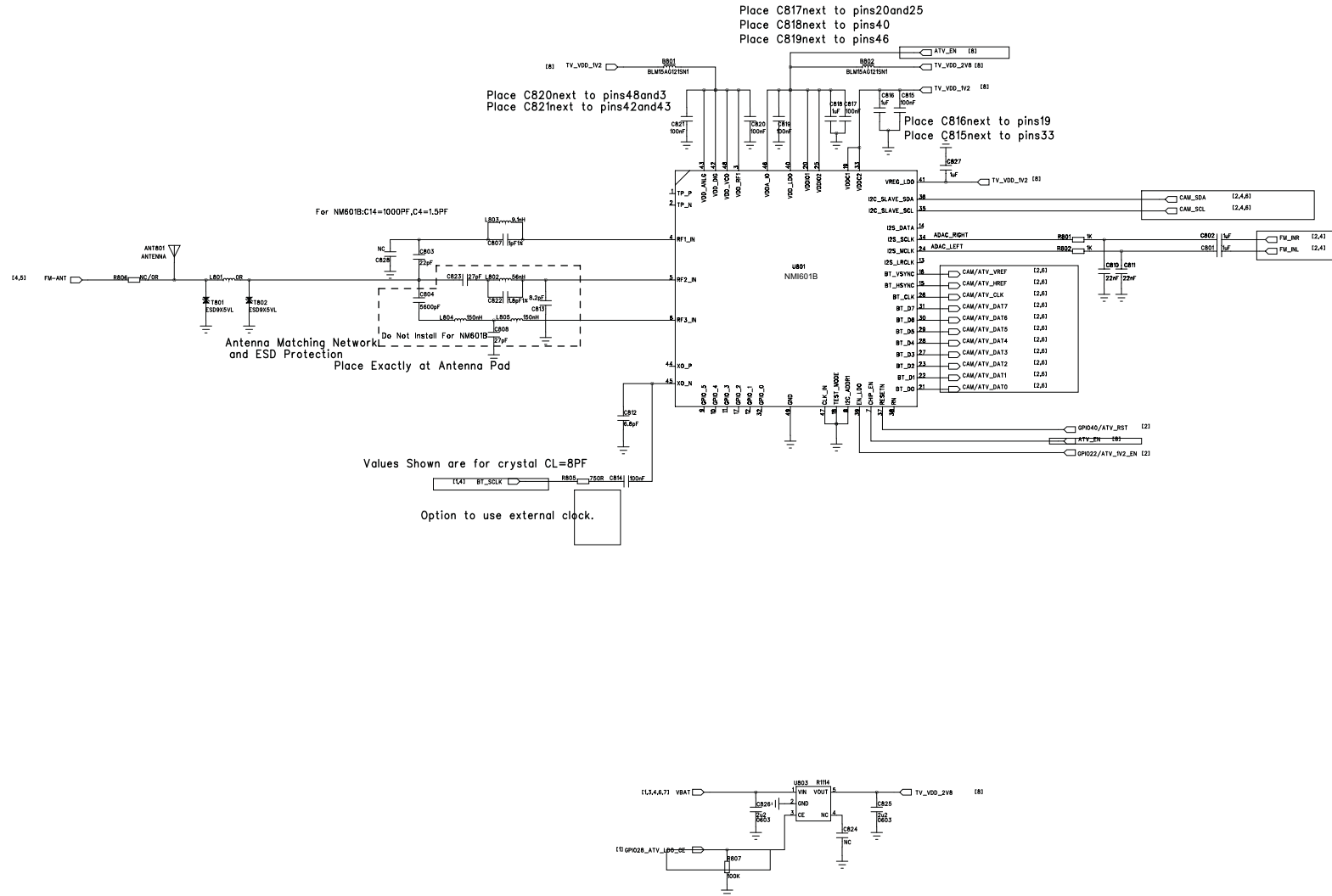
Place C816next to pins19
 Place C815next to pins33

For NM601B:C14=1000PF,C4=1.5PF

Antenna Matching Network
 and ESD Protection
 Place Exactly at Antenna Pad

Values Shown are for crystal CL=8PF

Option to use external clock.



DRAWN: D Y F	DATE: 2010628	COMPANY:
CHECKED: <Checked By>	DATE: <Checked Date>	TITLE:
QUALITY CONTROL: <QC By>	DATE: <QC Date>	TJ CODE: <Code>
RELEASED: <Released By>	DATE: <Release Date>	REV: V10
	SIZE: A1	SHEET: 8 OF 10