

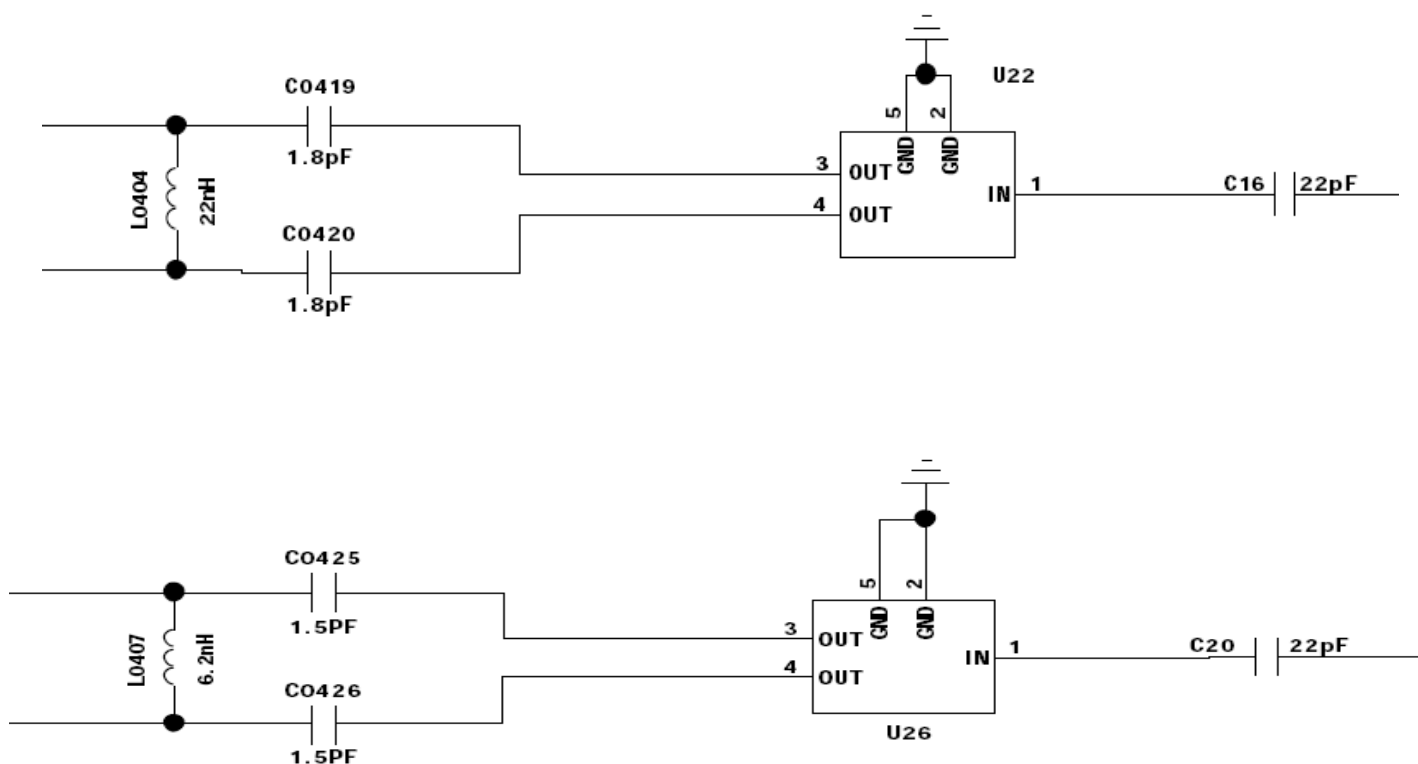
### 1 RX antenna switch SCH (Refer to SCH )

The aerial signal mobile phone received goes from antenna to RF testpoint. RF testpoint, which is a special parts developed for RF test. By connecting RF cable to spectrum analyzer, you can measure RF signal.

Signal output from RF testpoint will be input to the Dual band front-end moduleU2 (RDA6636). The module has two RX ports for GSM850/PCS1900 bands of operation. The two RX ports are symmetrical; they can be used either as GSM850 /PCS1900 bands of operation.

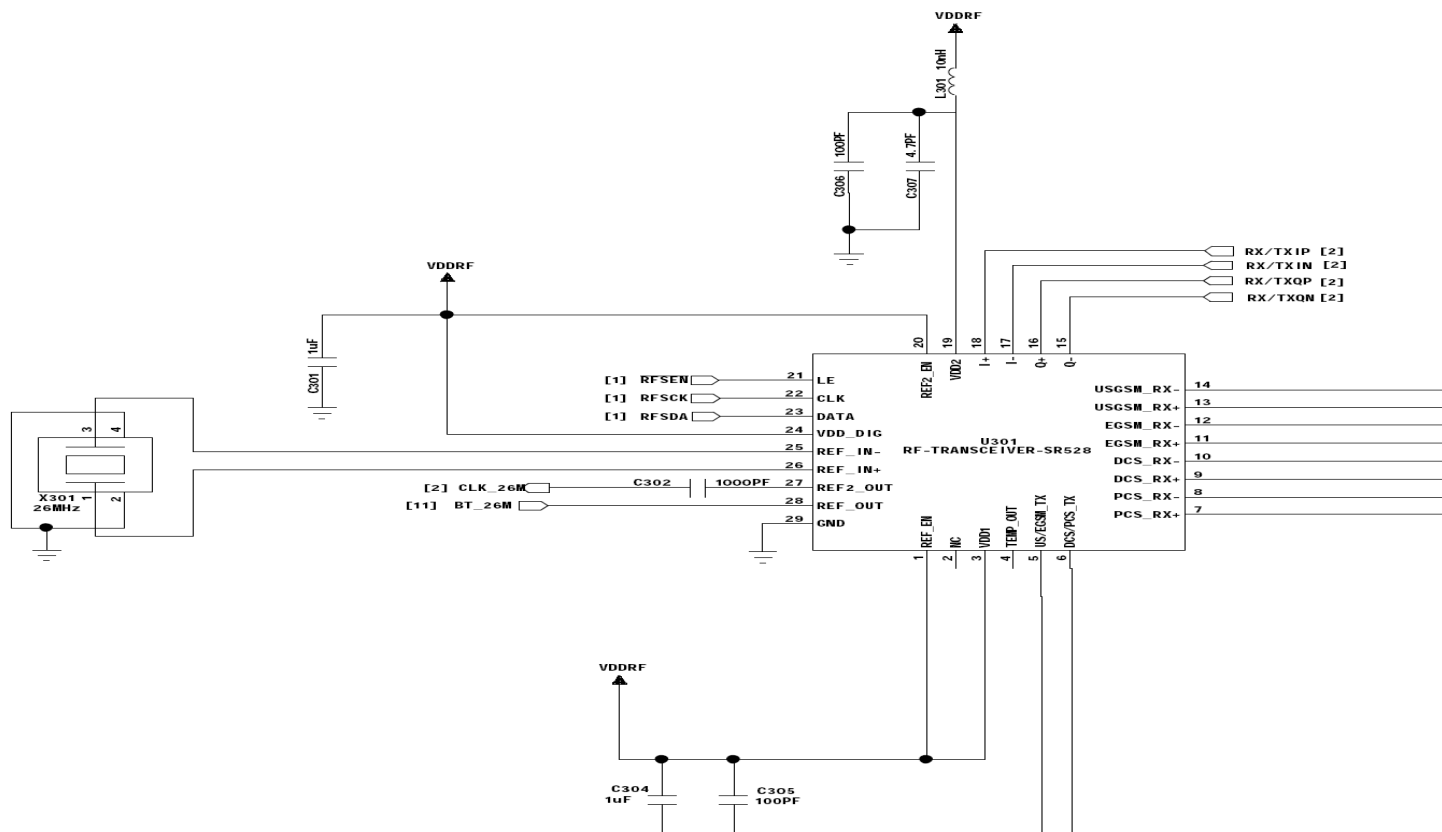
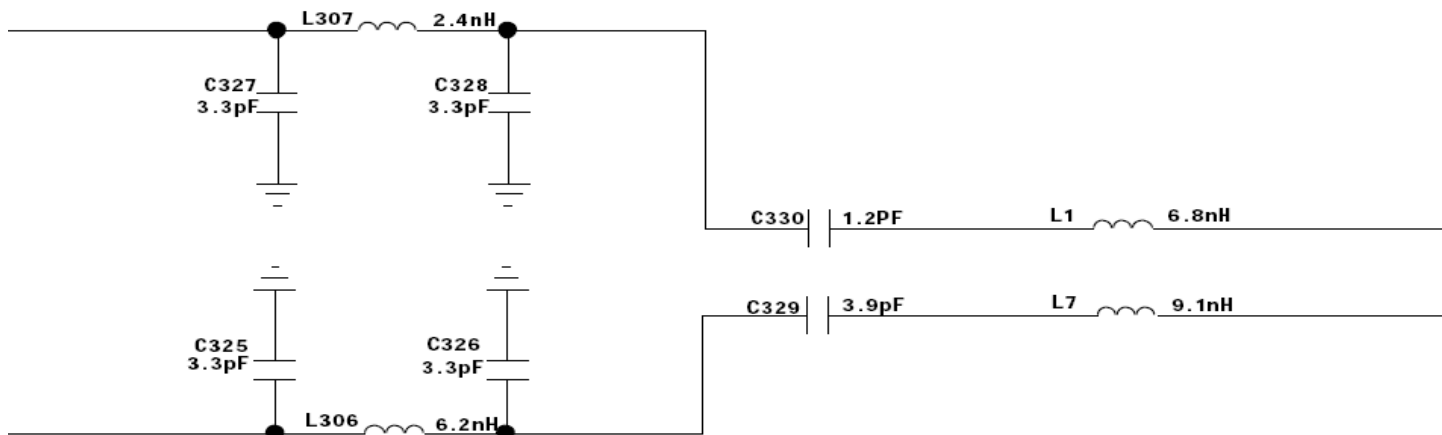
	CTR2	CTR1	CTR0	TXEN	RAMP
Default	0	0	0	0	-
Power Down	0	0	0	0	-
GSM TX On	0	1	0	1	-
DCS TX On	0	1	1	1	-
RX1 On	0	0	1	0	-
RX2 On	0	1	0	0	-
RX3 On	0	1	1	0	-
RX4 On	1	0	0	0	-

### 2 RX SAW Filter SCH



The RX signal output from RF antenna Switch(internal in RF PA), then input SAW filter .changed two difference signals in SAW filter,then input the Baseband CPU U101.

### 3 TX transceiver SCH



The RF overall schematic as up. It contains the TX path and RX path. The signal received from the air will be demodulated in CPU through RX SAW and Transceiver, Then the original voice signal will driver the receiver. At the same time the signal from microphone will be sent to transceiver through CPU, then be amplified by RF PA, at last sent to air from the antenna switch(internal in RF PA).

Use the PIFA ANT.