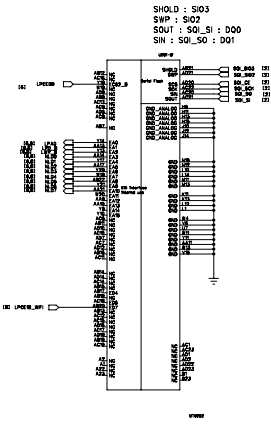
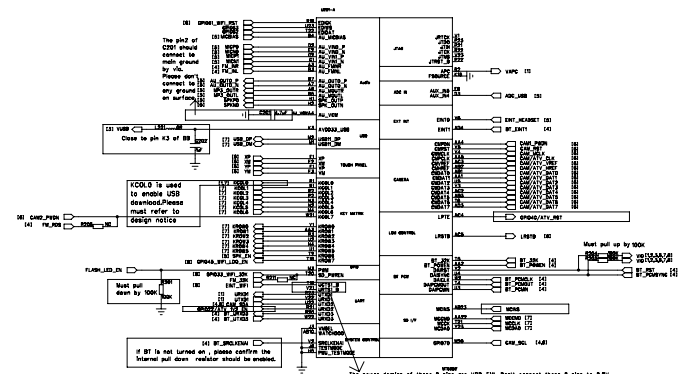
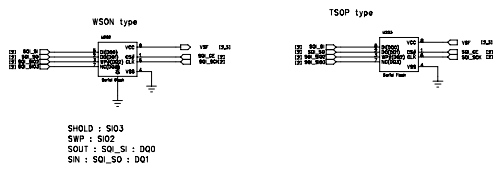


DATE	BY	DATE	COMMENT
DESIGN		2/20/09	
CHECKED			FILE TJ KAMEO_MB_V10
QUALITY CONTROL			REV: V10
RELEASED			REV: A1

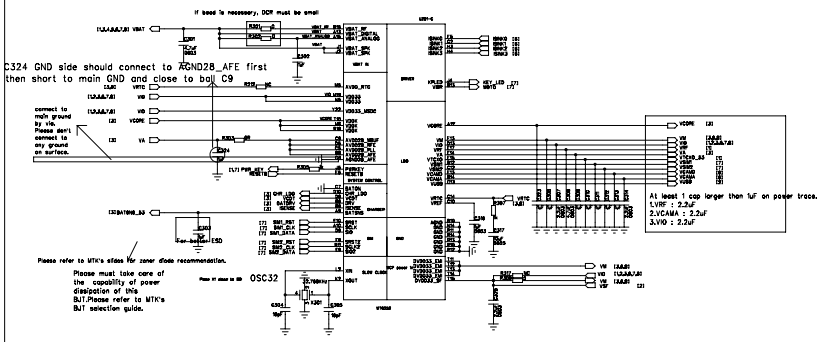


### Memory

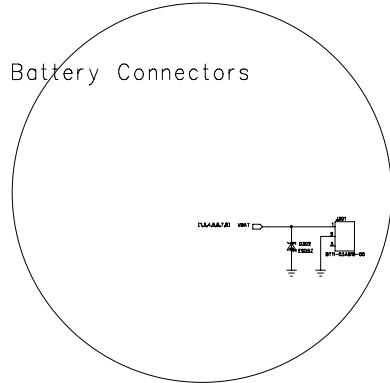
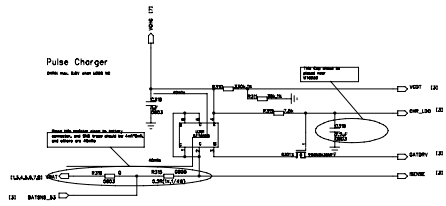


DATE	TYPE	DATE	REVISION	COMMENTS
DATE	DATE	DATE		TJ KAMEO_MB_V10
DATE	DATE	DATE		V10
DATE	DATE	DATE	A1	sheet 2 of 9

# BB PMU



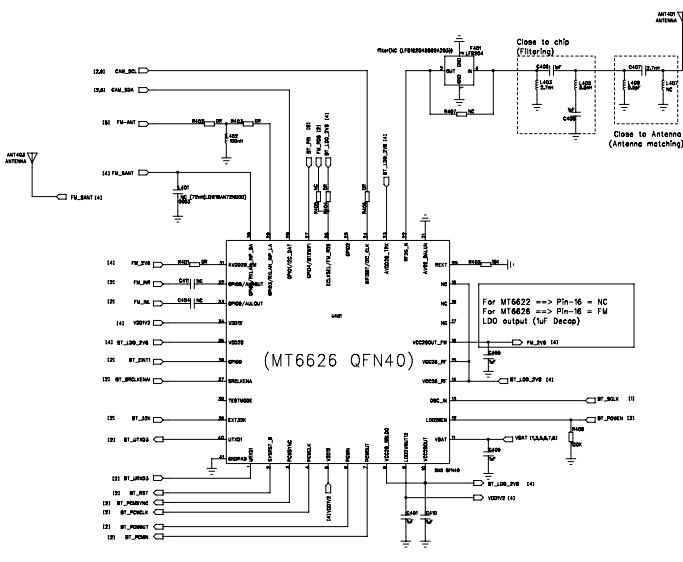
# Battery Connectors



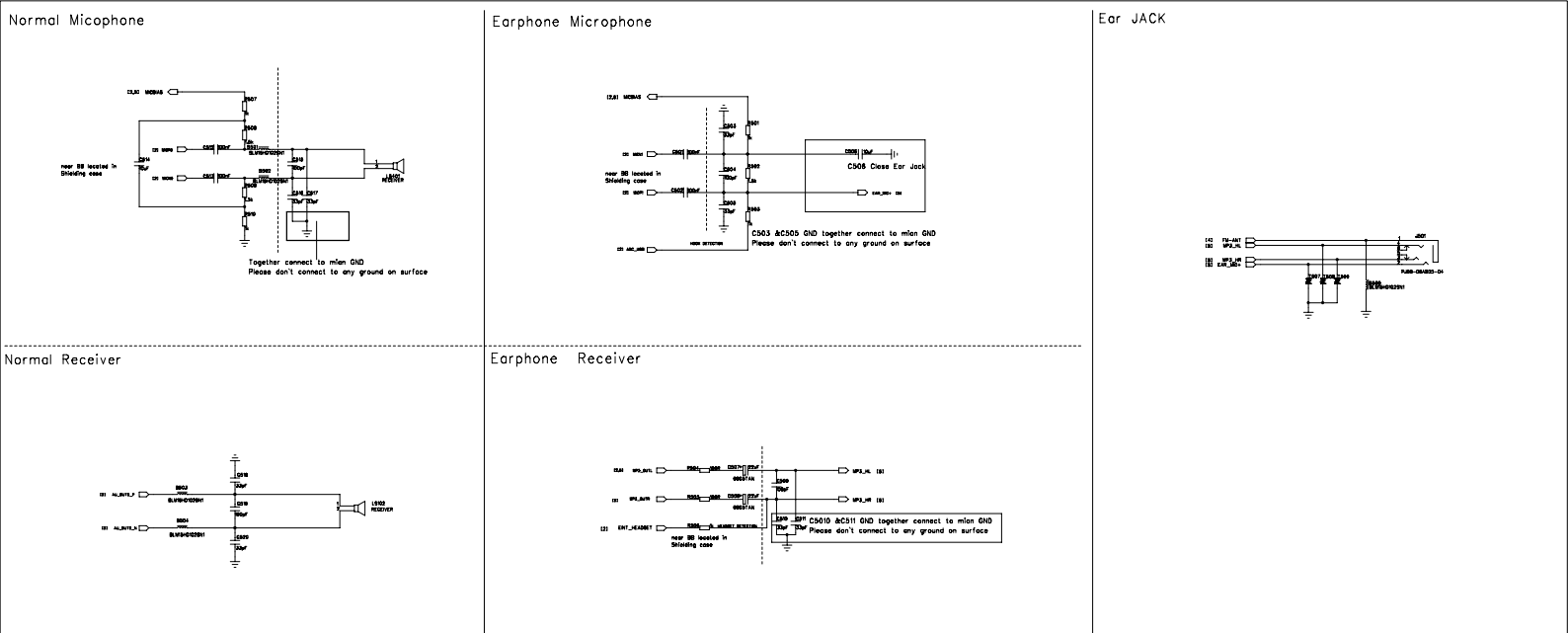
DESIGNER	DATE	DESIGN	COMPANY
			TJ KAMEO_MB_V10
QUALITY CONTROL	DATE	TEST	REV: V10
RELEASED	DATE	REV: A1	SHEET 3 OF 9

# BlueTooth

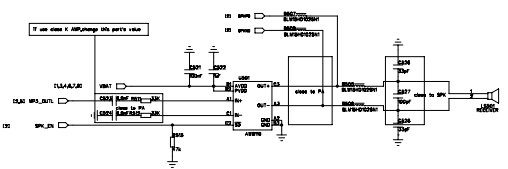
BT/FM



DATE	BY	DESIGN	COMPANY
DESIGN	DATE	TITLE	TJ KAMEO_MB_V10
QUALITY CONTROL	DATE	TA 0000	REV: V10
RELEASED	DATE	REV: A1	SHEET 4 OF 9



**Audio Amplifier & Speaker**



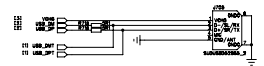
DESIGN	DATE	DESIGNER	COMPANY
QUALITY CONTROL	DATE <td>TJ KAMEO</td> <td>TJ KAMEO_MB_V10</td>	TJ KAMEO	TJ KAMEO_MB_V10
RELEASED	DATE	REV: A1	REV: V10
			SHEET 5 OF 9



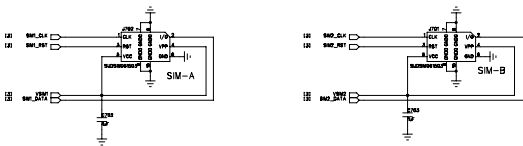
### TFCard



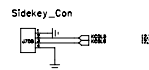
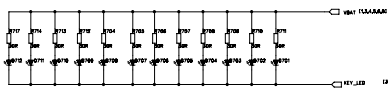
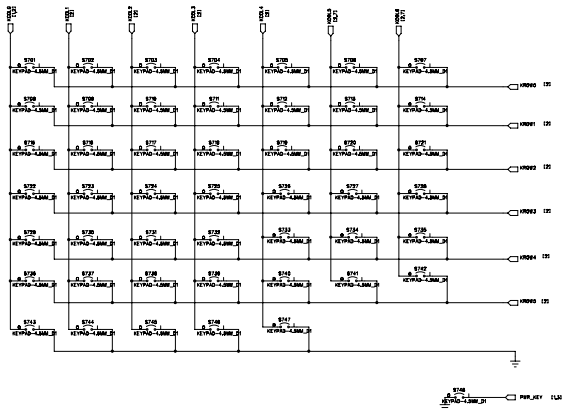
### 5 PIN SYSTEM IO



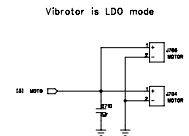
### Dual SIM Card



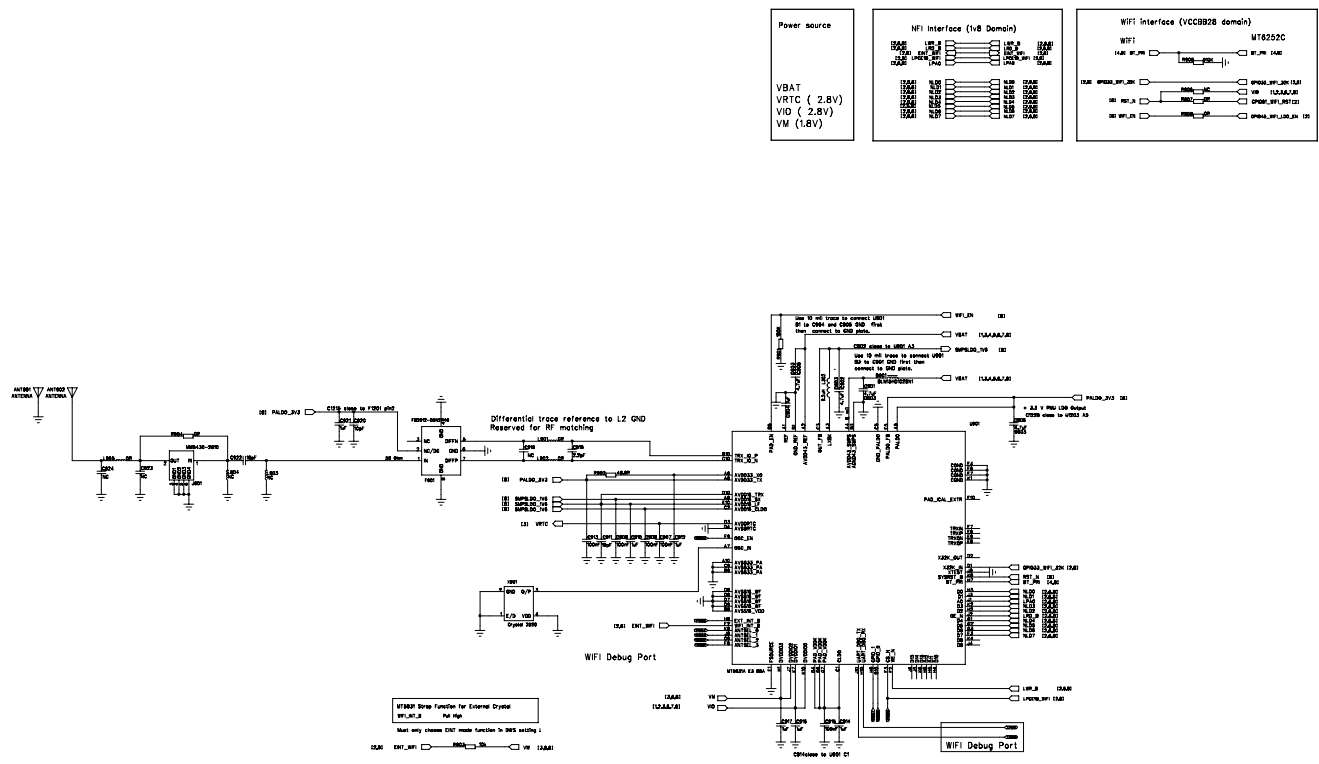
### KEY\_CON



### Motor



DATE	BY	DESIGNER	COMPANY
			TJ KAMEO_MB_V10
			V10
			A1



DESIGNER	DATE	REVISION	COMPANY
DESIGNER	DATE	REV	TJ KAMEO_MB_V10
QUALITY CONTROL	DATE	REV	V10
RELEASED	DATE	REV	A1