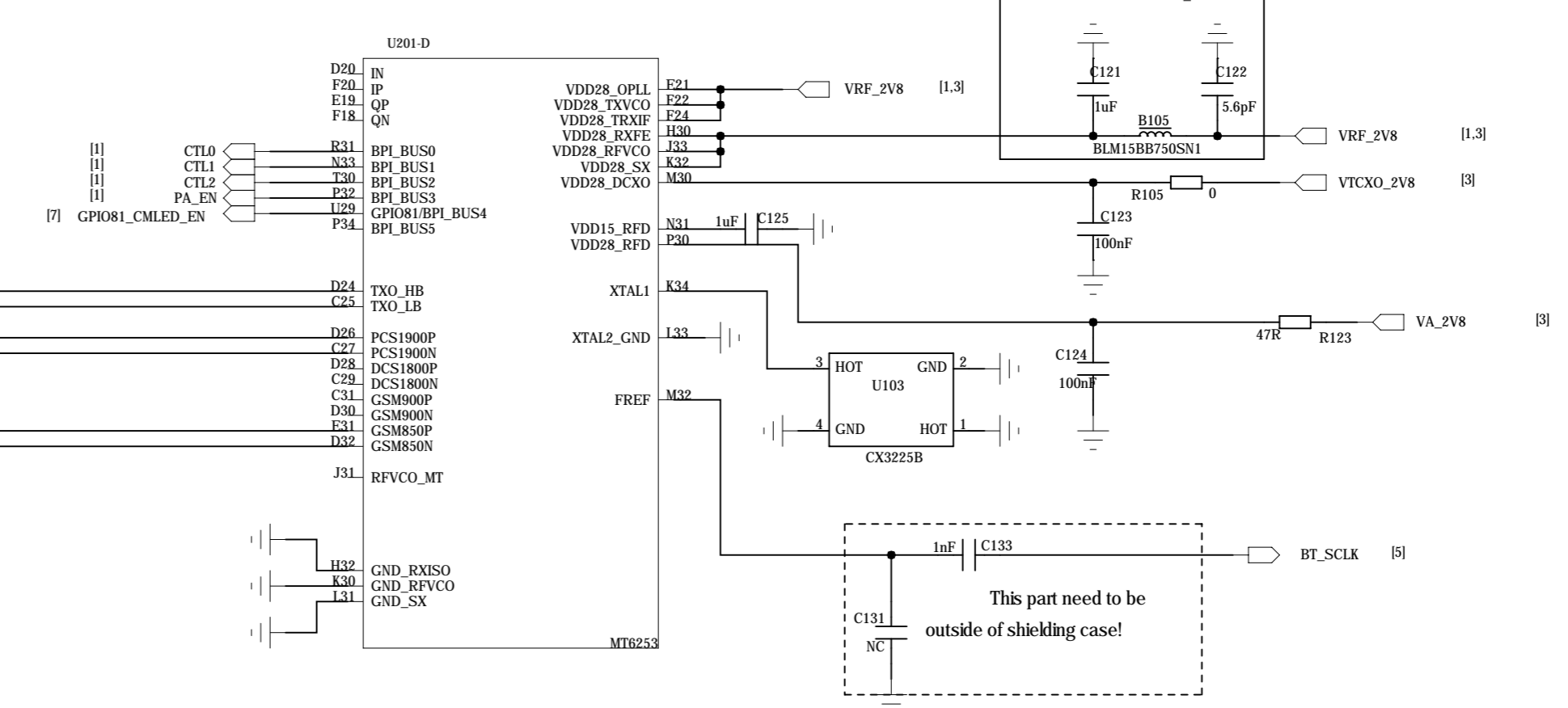
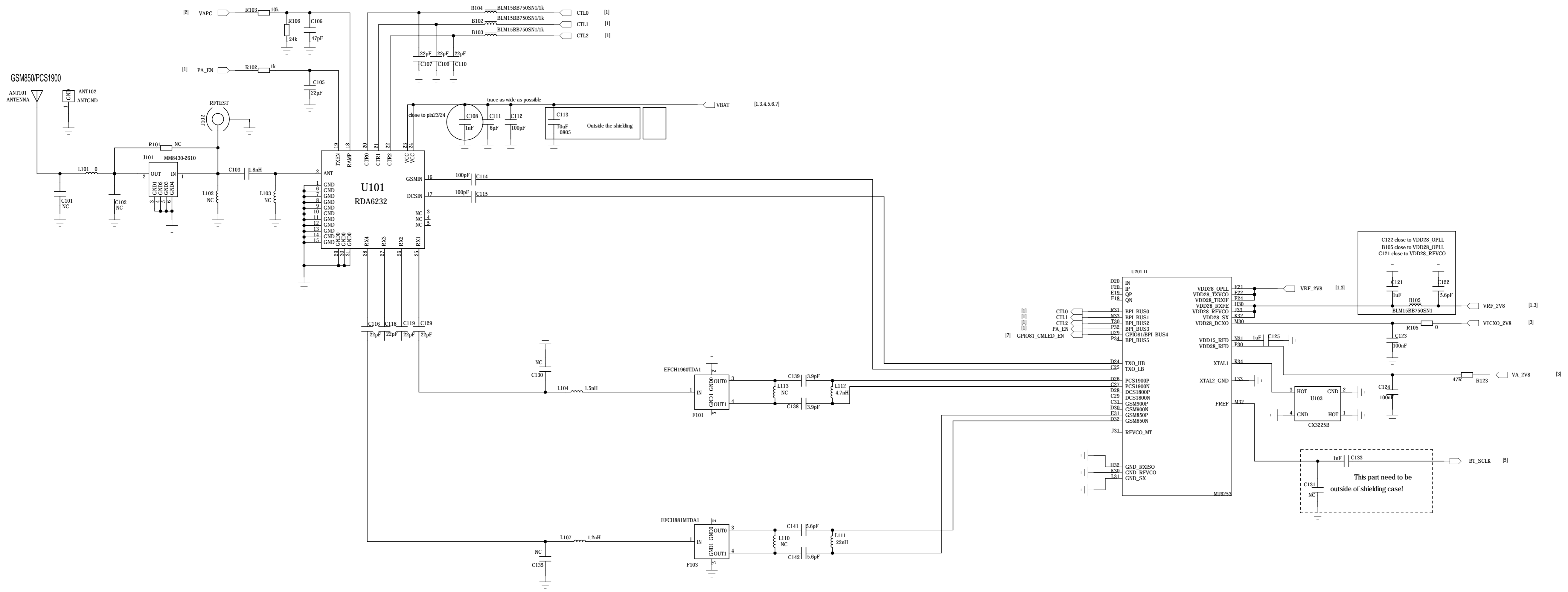
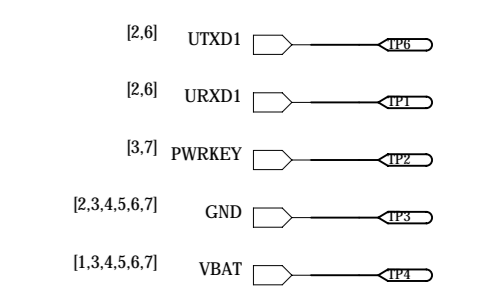
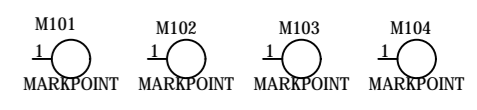
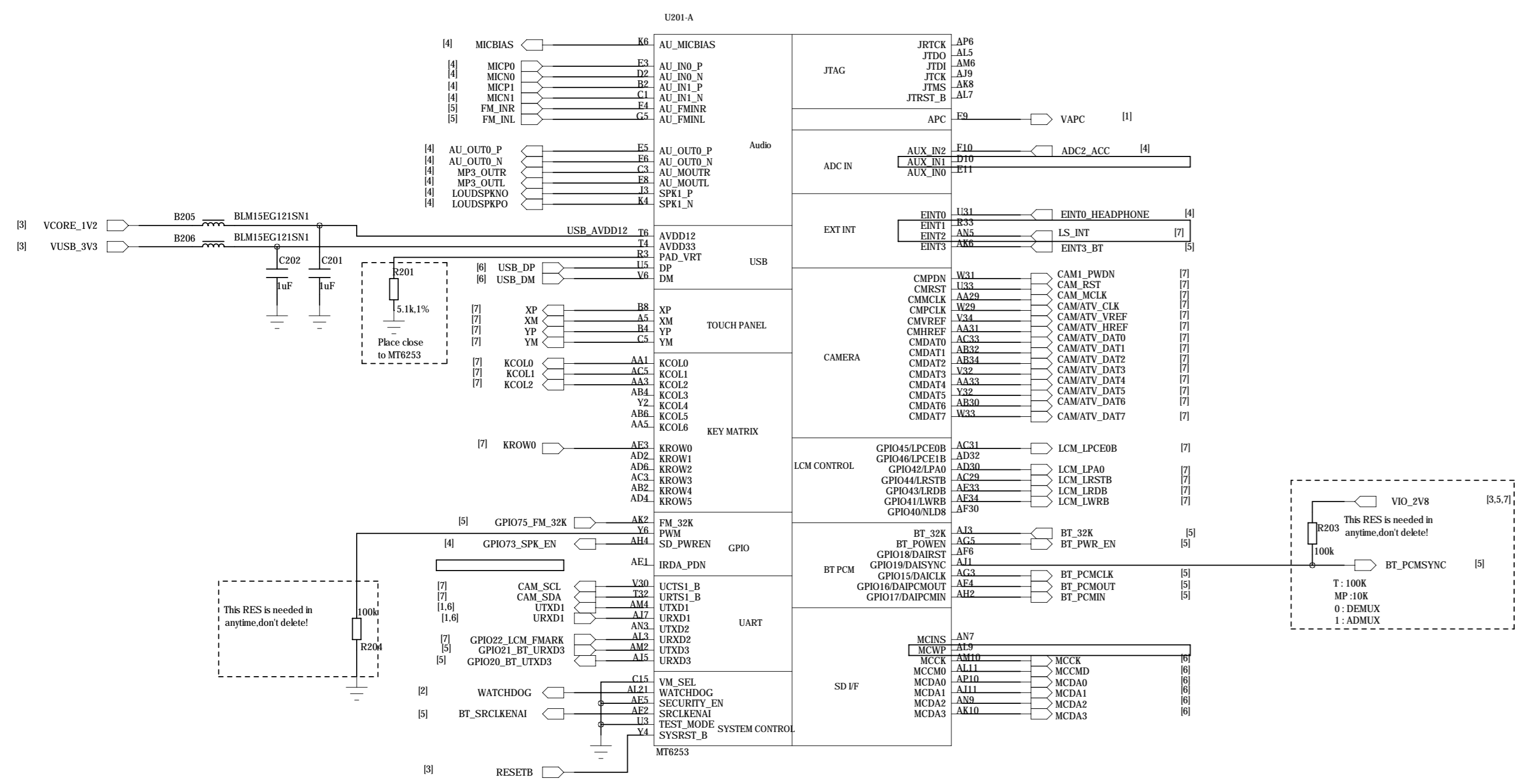


RDA6232 control true table				
TX ENABLE	GpCtrl2	GpCtrl1	GpCtrl0	TX Module Mode
0	0	0	0	Default
0	1	0	0	RX1
0	0	1	0	RX2
0	0	1	1	RX3
0	0	0	1	RX4
1	0	1	0	850/900 TX
1	1	1	0	1800/1900 TX

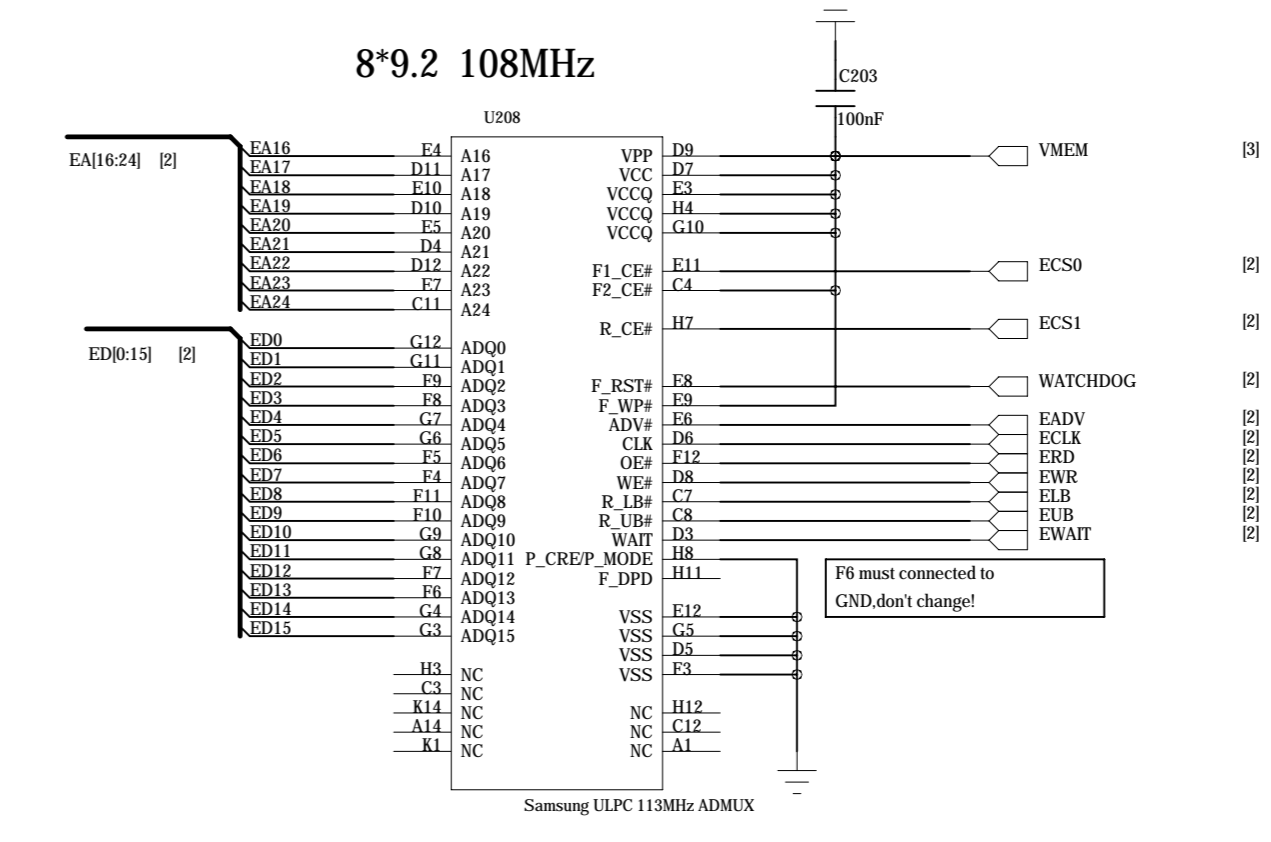


DRAWN: DYP	DATED: 2011-07-07	COMPANY:	
CHECKED: <Checked By>	DATED: <Checked Date>	TITLE: TJUP100_MB_V10	
QUALITY CONTROL: <QC By>	DATED: <QC Date>	TJ CODE: <Code>	REV: V10
RELEASED: <Released By>	DATED: <Release Date>	SIZE: A1	SHEET: 1P 8

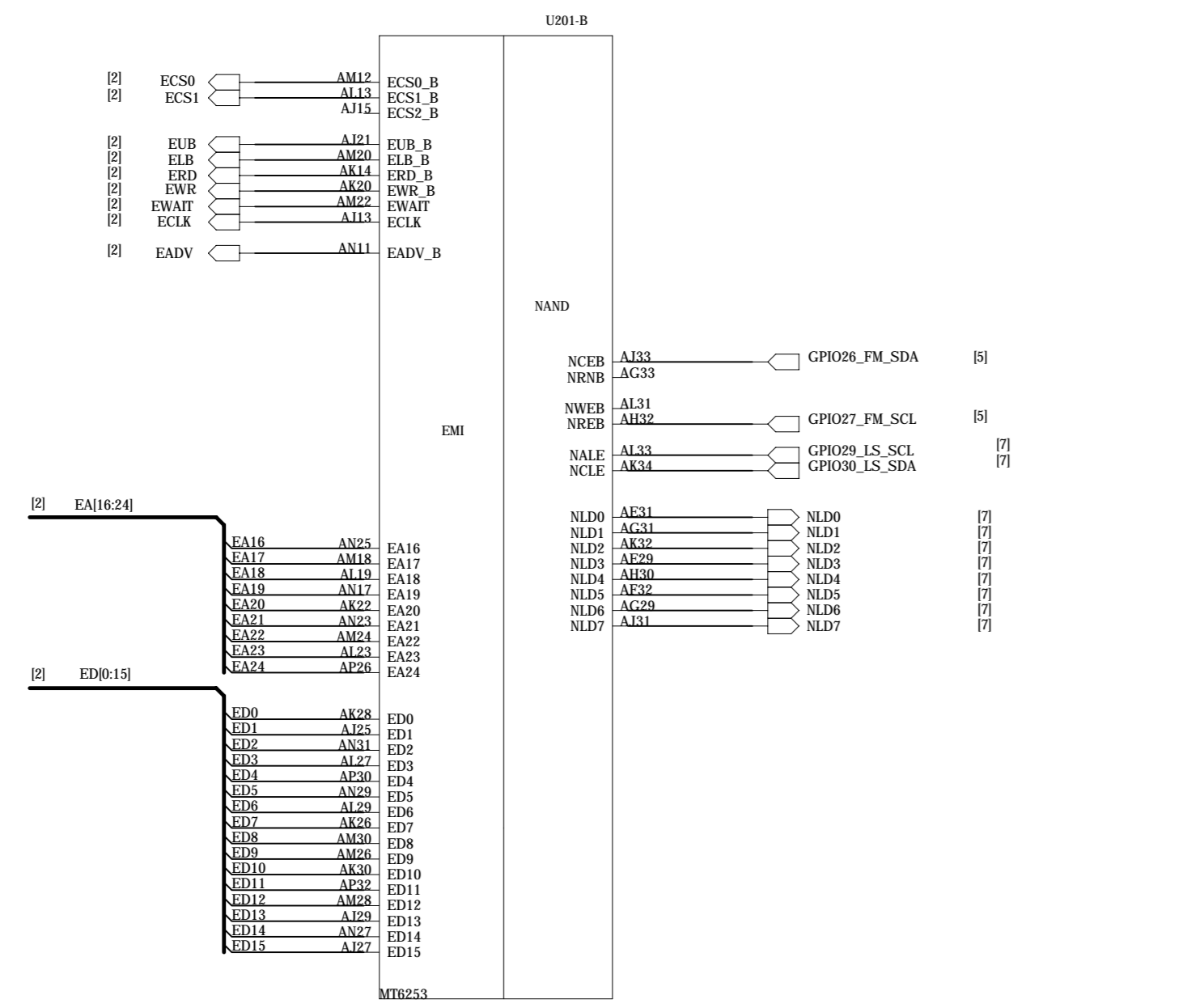
6253_BB



MCP

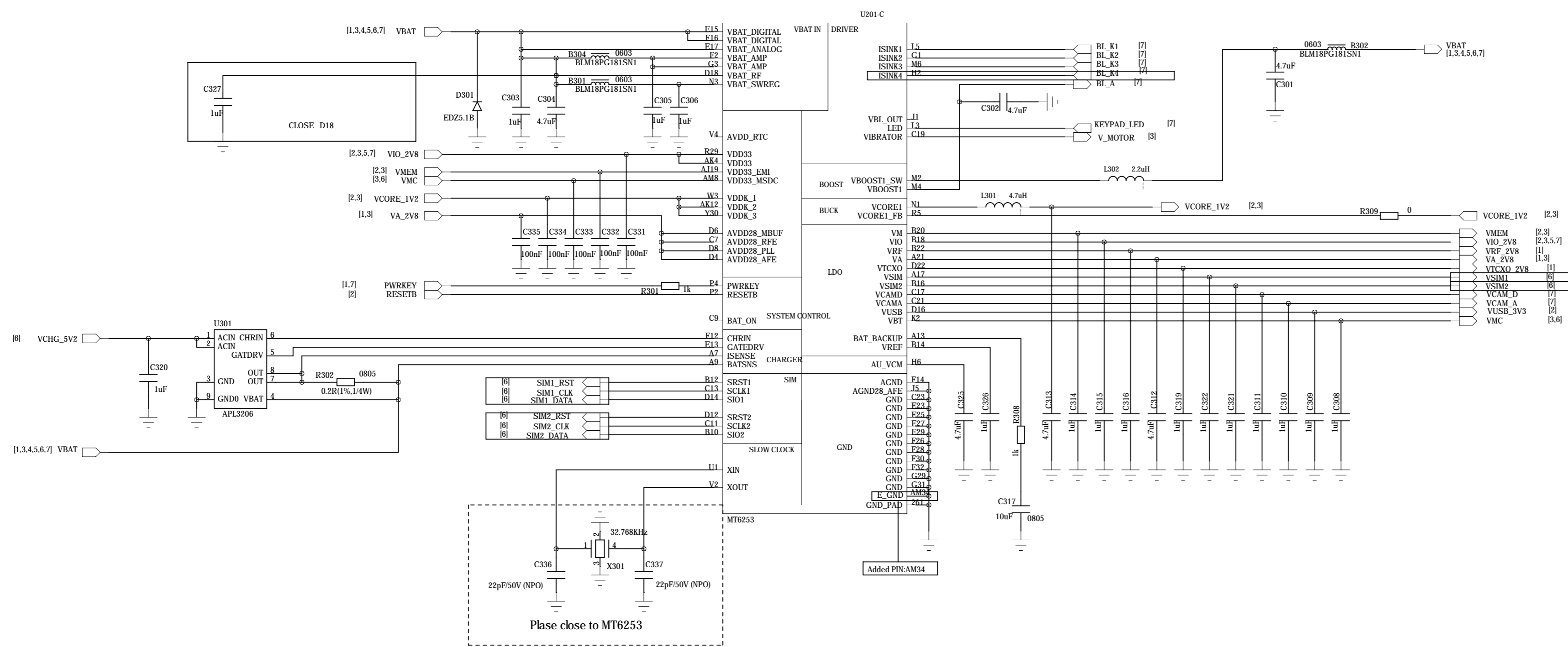


6253_MCP_I/O



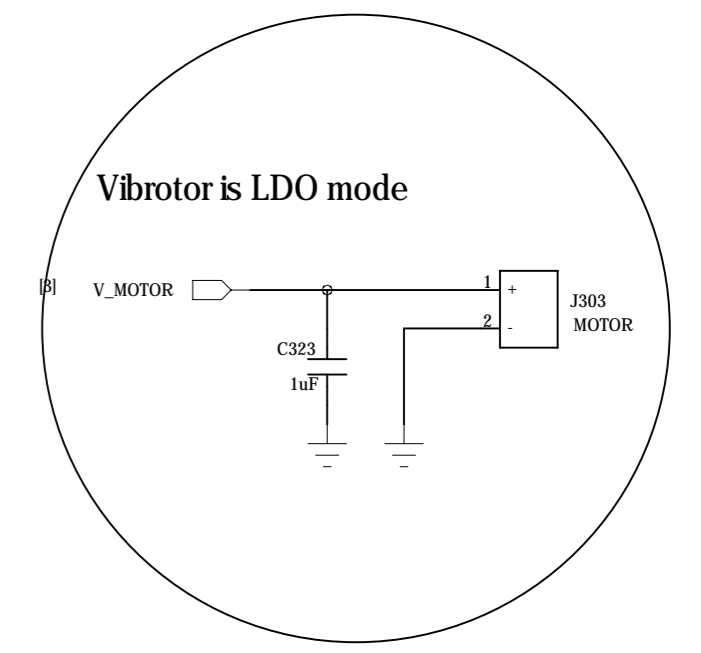
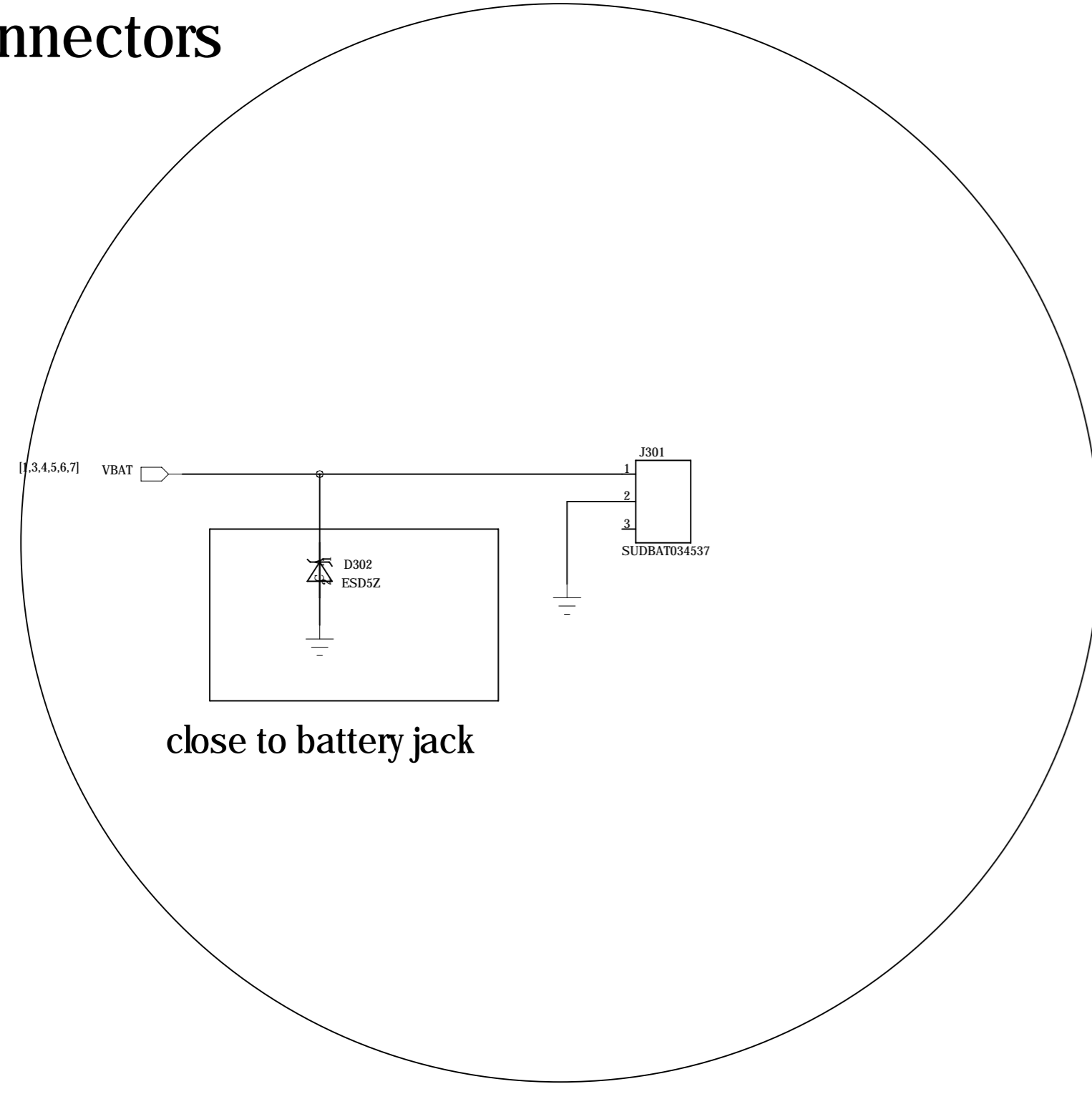
DRAWN: DYF	DATED: 2011-07-07	COMPANY:
CHECKED: <Checked By>	DATED: <Checked Date>	TITLE: TJUP100_MB_V10
QUALITY CONTROL: <QC By>	DATED: <QC Date>	TJ CODE: <Code> REV: V10
RELEASED: <Released By>	DATED: <Release Date>	SIZE: A1 SHEET: 2/ 8

MT6253_PMU



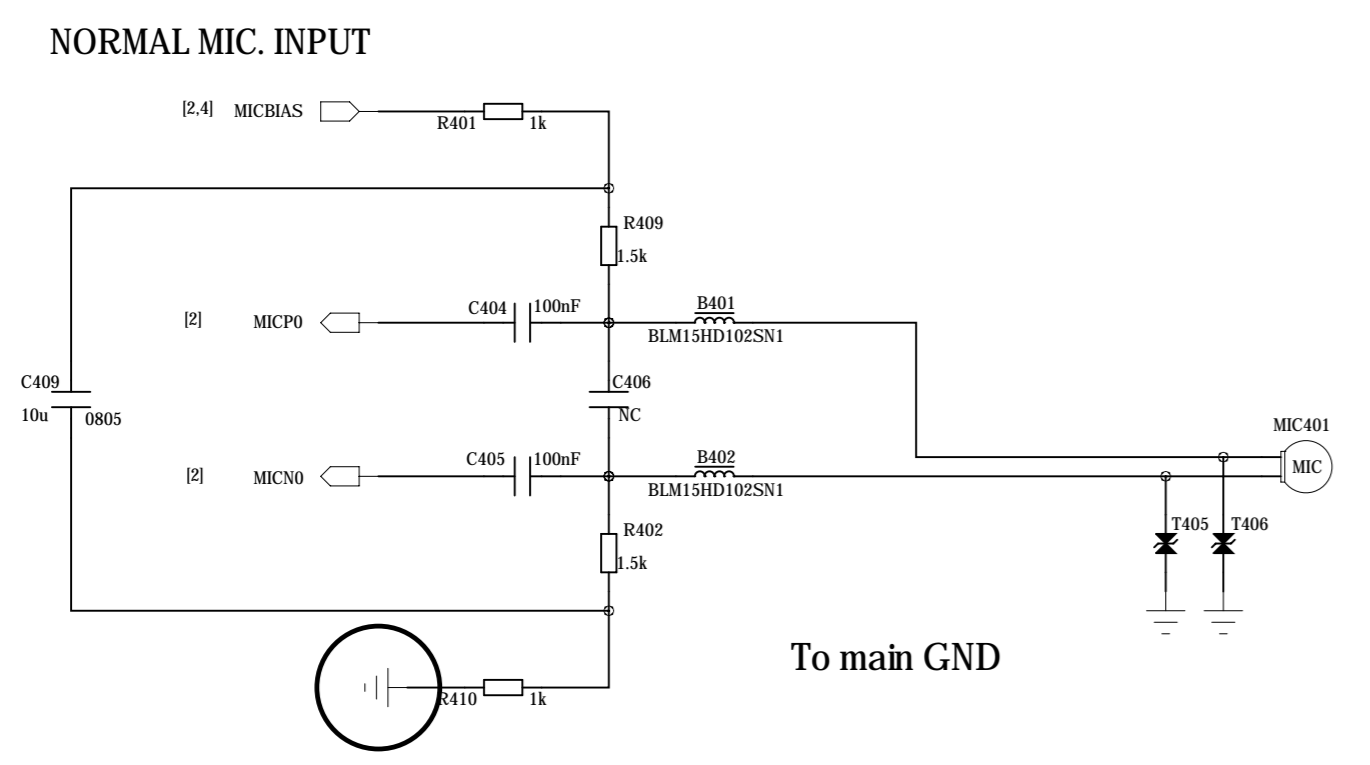
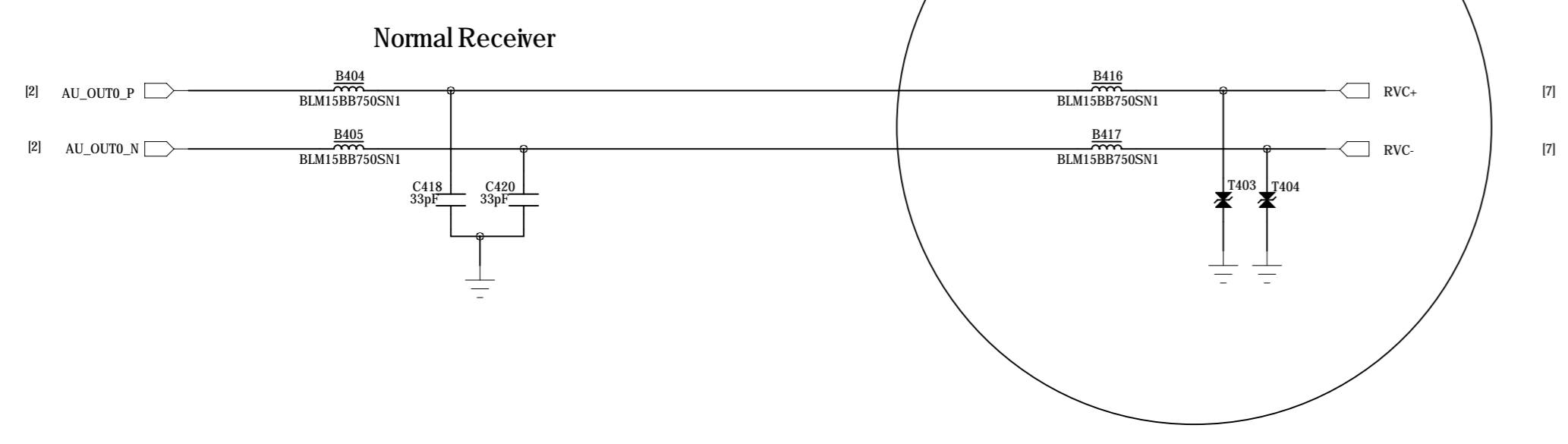
	Symbol	Vout (V)	Iout (mA)	Setting
Buck	VCORE	1.2	200	
	RF LDO	VRF	2.8	200
Analog LDO	VTCXO	2.8	20	
	VA	2.8	125	
	VCAM_A	1.5/1.8/2.5/2.8	150	
Digital LDO	VM	1.8/2.8	200	VM_SEL
	VIO	2.8	100	
	VSIM	1.8/3.0	100	
	VUSB	3.3	100	
	VBT	1.3/1.5/1.8/2.5/2.8/3.0/3.3	100	
	VCAM_D	1.3/1.5/1.8/2.5/2.8/3.0/3.3	100	
Vibrator	VIBR	1.8/3.0	200	
	VBACKUP	2.8	2	
Boost Converter	VBOOST1	3.4-5.5	100	

Battery Connectors



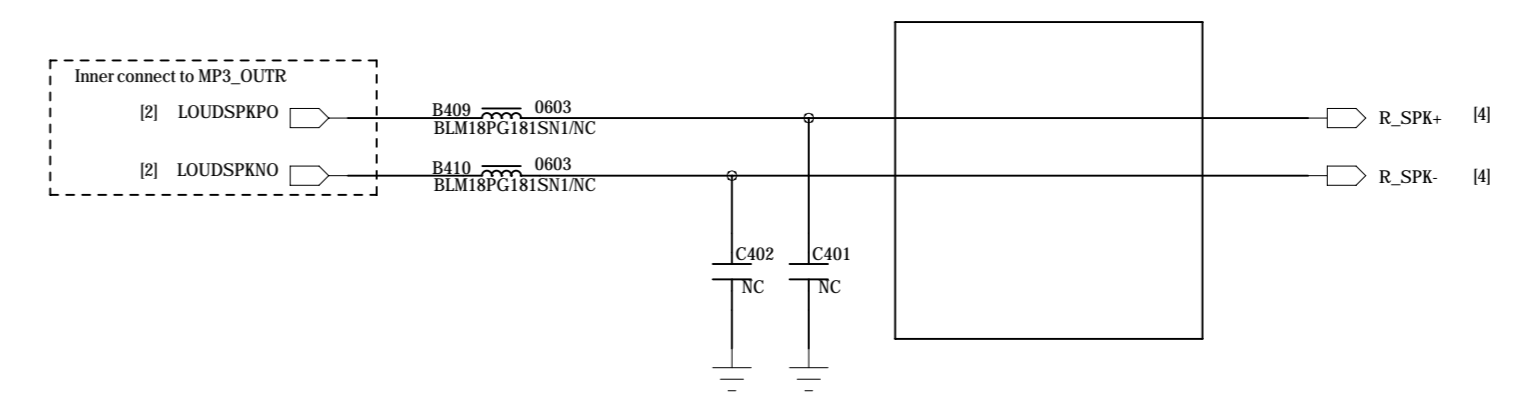
DRAWN: DYF	DATED: 2011-07-07	COMPANY:	
CHECKED: <Checked By>	DATED: <Checked Date>	TITLE: TJUP100_MB_V10	
QUALITY CONTROL: <QC By>	DATED: <QC Date>	TJ CODE: <Code>	REV: V10
RELEASED: <Released By>	DATED: <Release Date>	SIZE: A1	SHEET: 8 of 8

Normal Audio



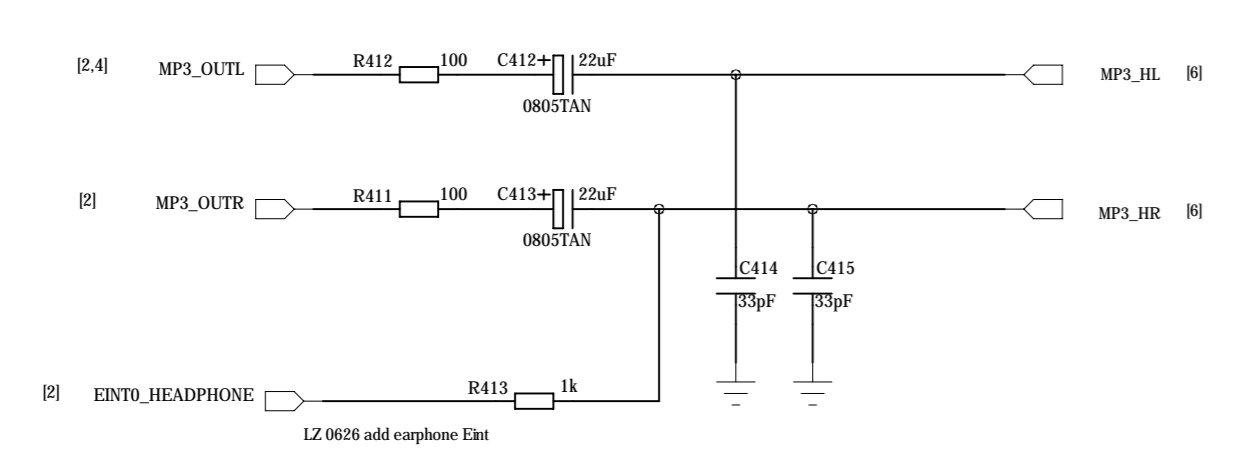
Inner ClassD

Loud SPK_R

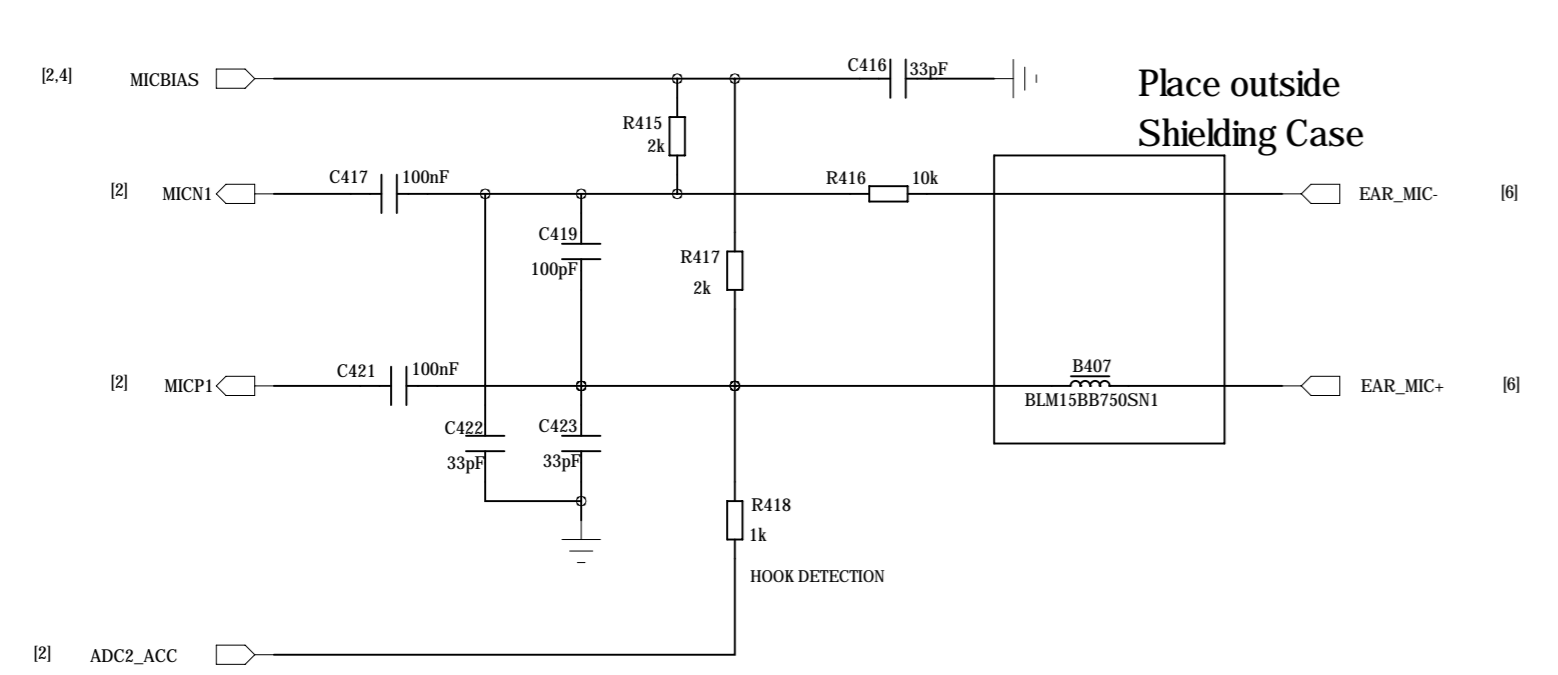


Headset Audio

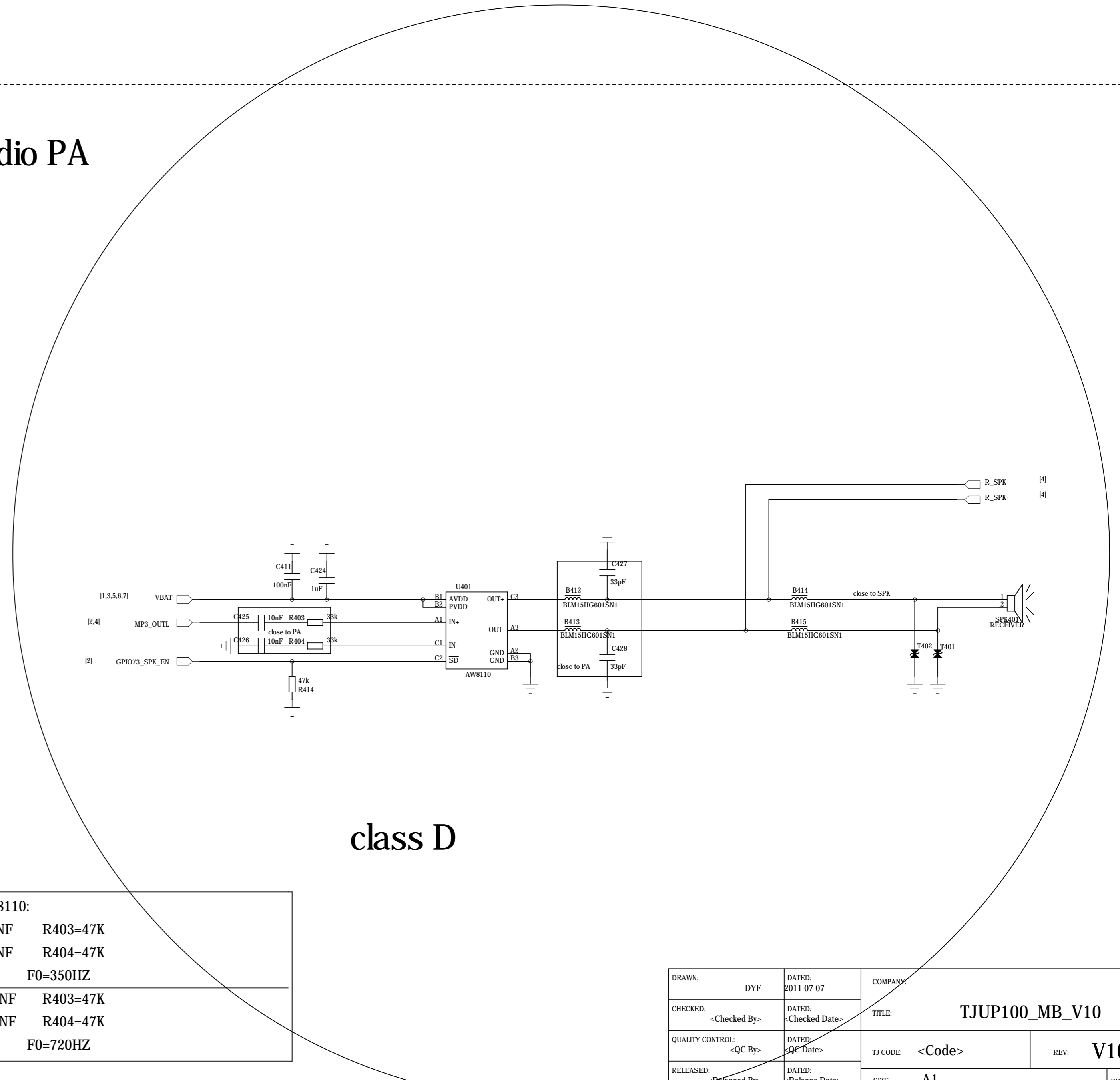
Headset Receiver



HEADSET MIC



Audio PA

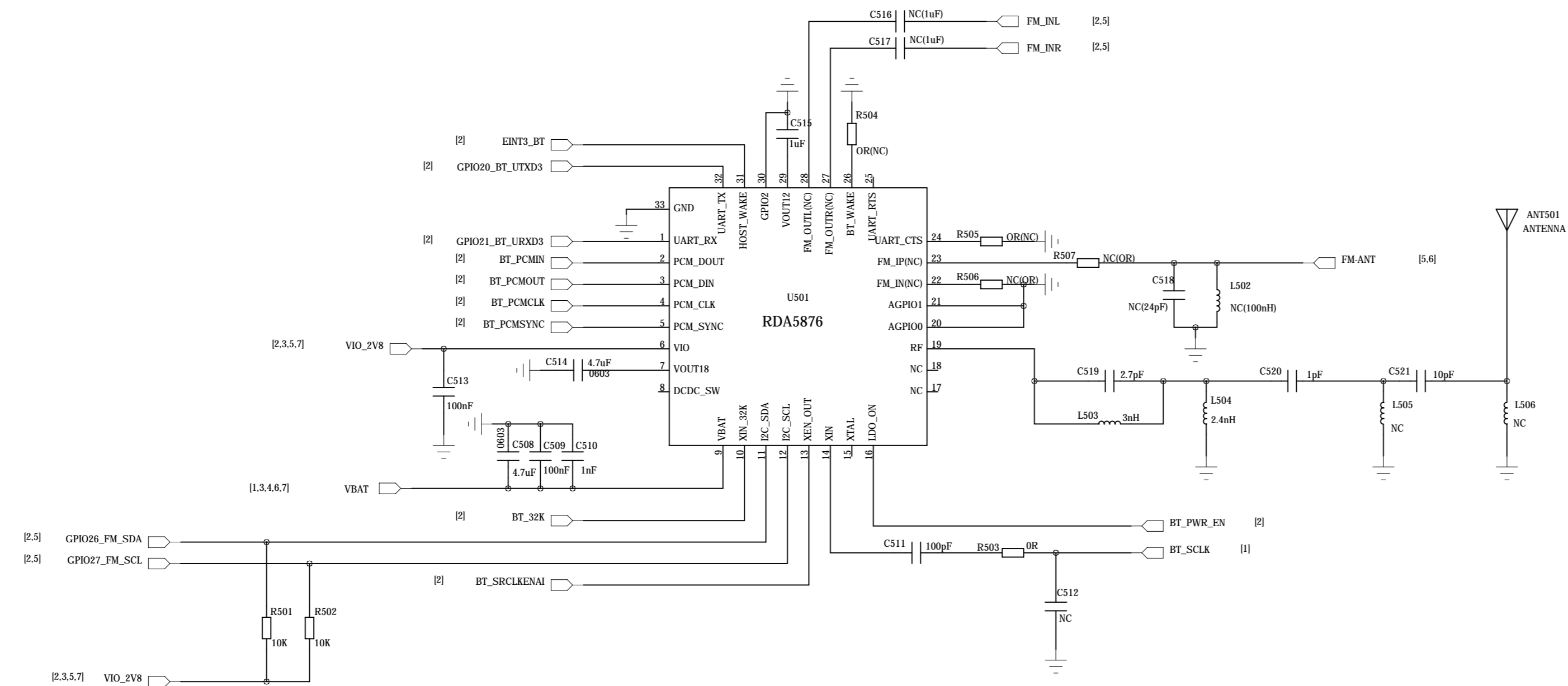


If use AW8110:
 C425=10NF R403=47K
 C426=10NF R404=47K
 Gain=9 F0=350HZ

C425=4.7NF R403=47K
 C426=4.7NF R404=47K
 Gain=9.5 F0=720HZ

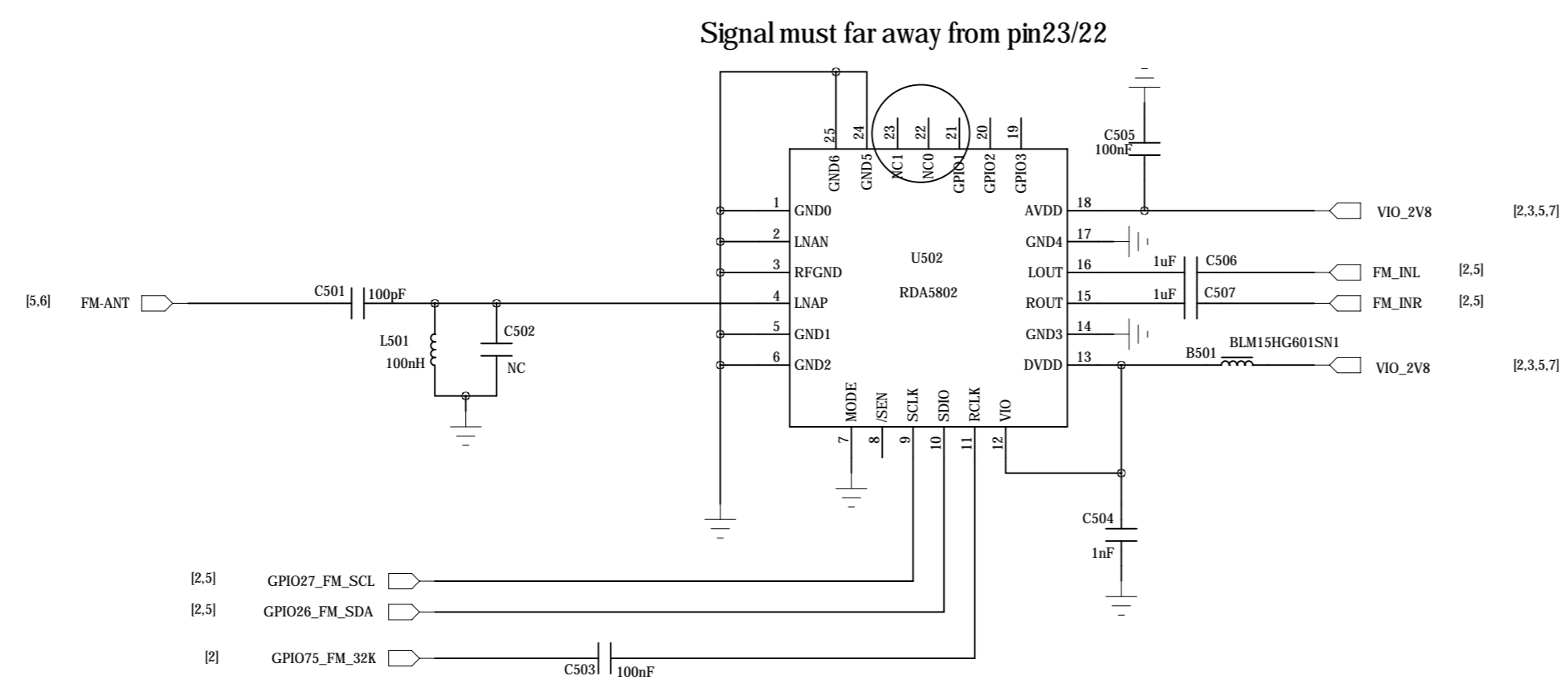
DRAWN: DYF	DATED: 2011-07-07	COMPANY:
CHECKED: <Checked By>	DATED: <Checked Date>	TITLE: TJUP100_MB_V10
QUALITY CONTROL: <QC By>	DATED: <QC Date>	TJ CODE: <Code>
RELEASED: <Released By>	DATED: <Release Date>	REV: V10
	SIZE: A1	SHEET: 8

BT/FM



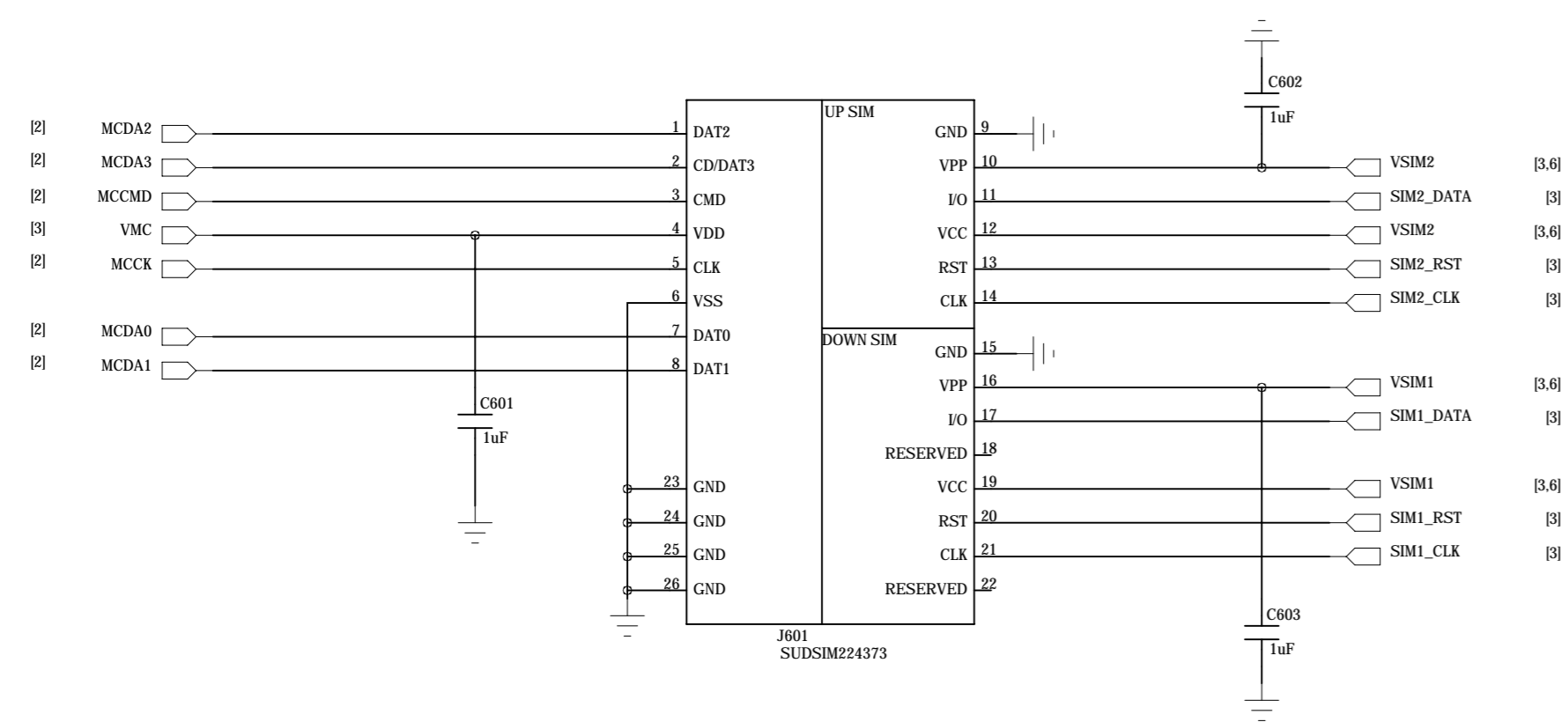
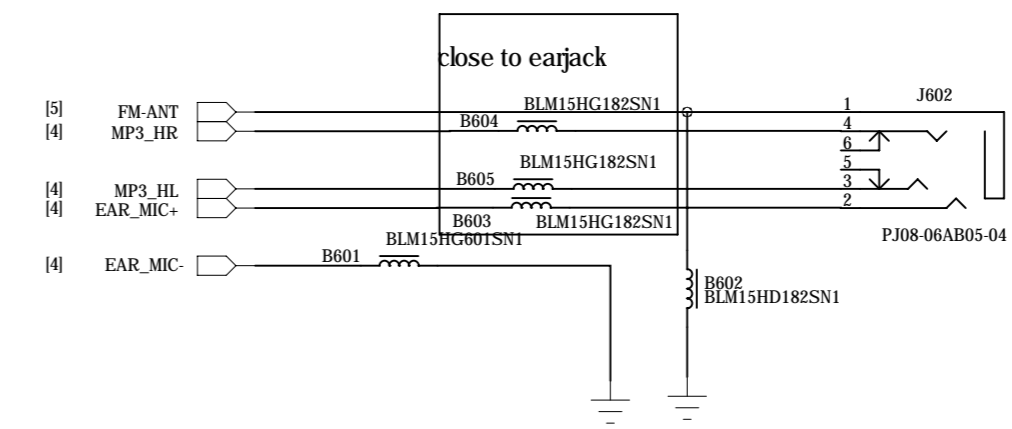
FM

ACCTION:If use BT(RDA5876),can't use FM, RDA5876 have FM in

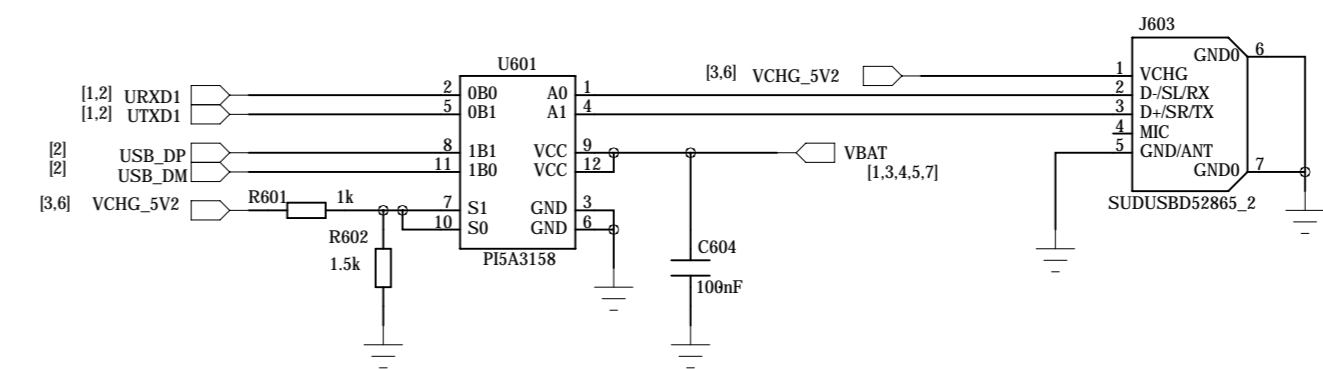


DRAWN: DYF	DATED: 2011-07-07	COMPANY:	
CHECKED: <Checked By>	DATED: <Checked Date>	TITLE: TJUP100_MB_V10	
QUALITY CONTROL: <QC By>	DATED: <QC Date>	TJ CODE: <Code>	REV: V10
RELEASED: <Released By>	DATED: <Release Date>	SIZE: A1	SHEET: 5F 8

EAR JACK

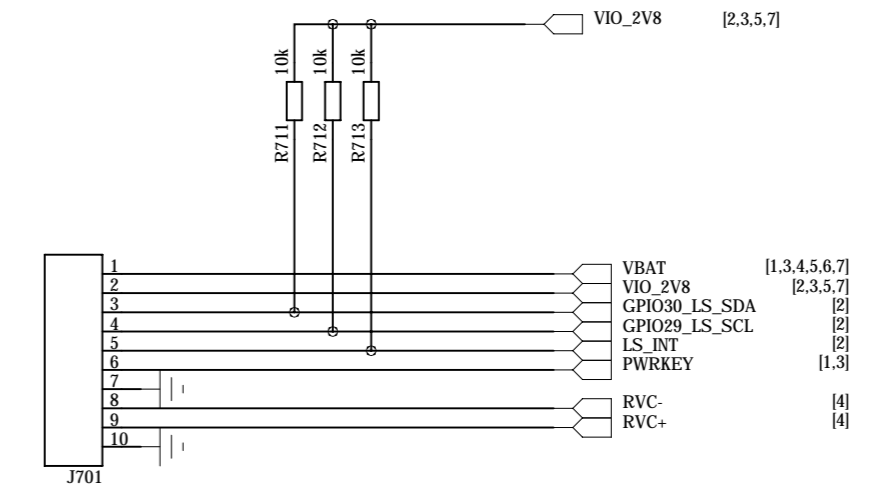
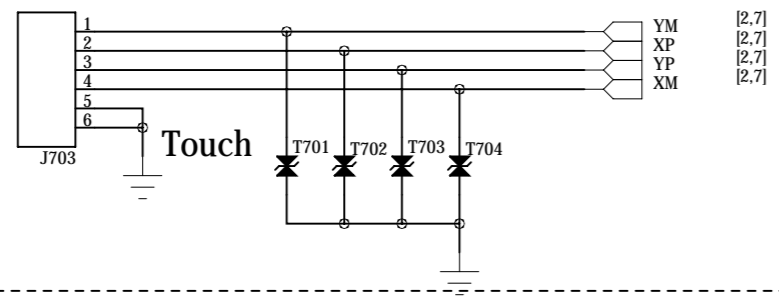
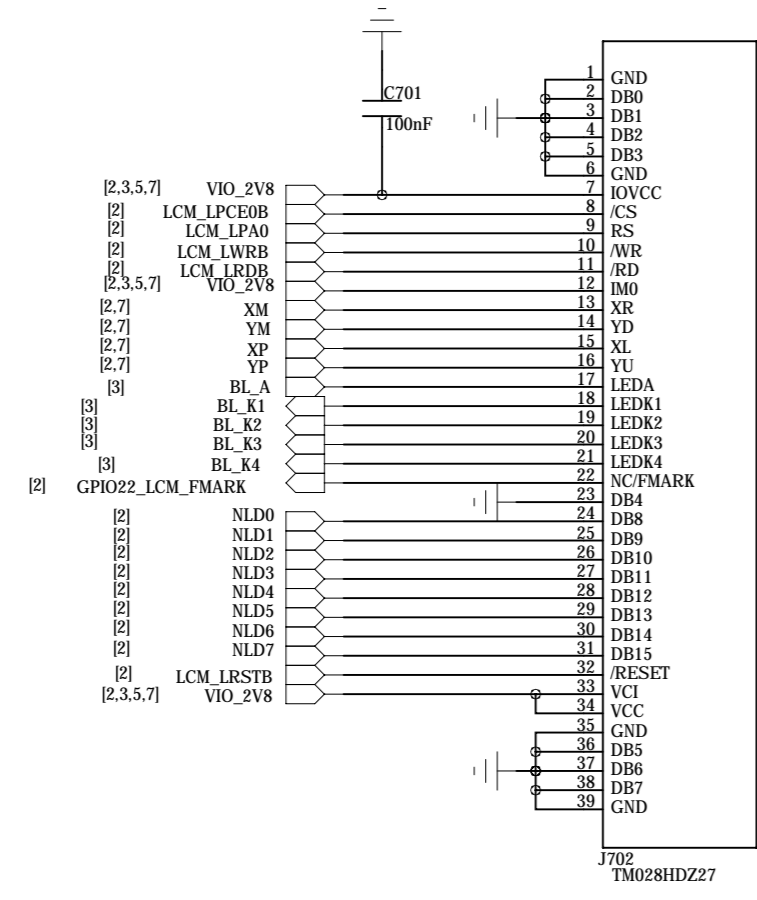


5 PIN SYSTEM I/O

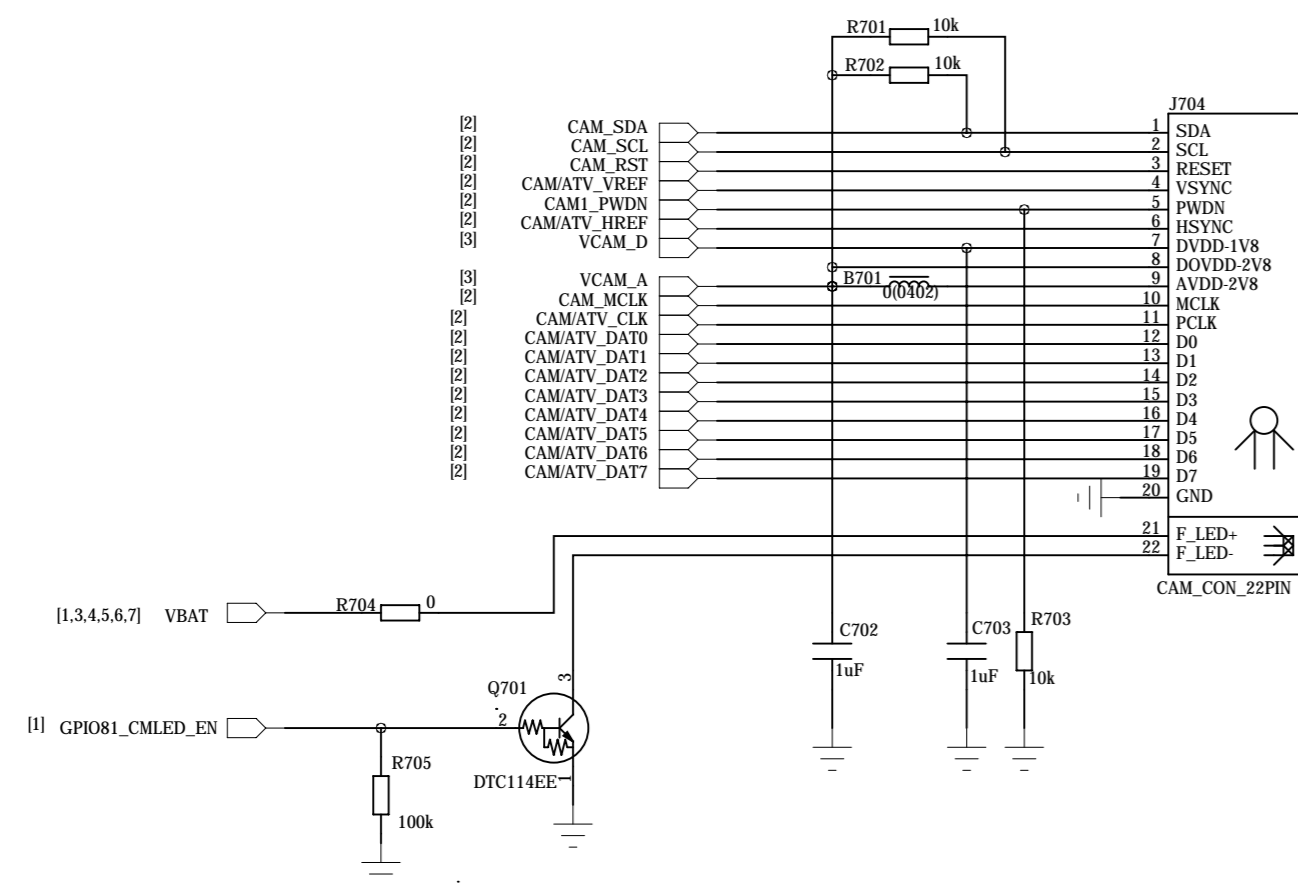


DRAWN: DYF	DATED: 2011-07-07	COMPANY: ToneJet	
CHECKED: <Checked By>	DATED: <Checked Date>	TITLE: TJUP100_MB_V10	
QUALITY CONTROL: <QC By>	DATED: <QC Date>	TJ CODE: <Code>	REV: V10
RELEASED: <Release By>	DATED: <Release Date>	SIZE: A1	SHEET: 6 of 8

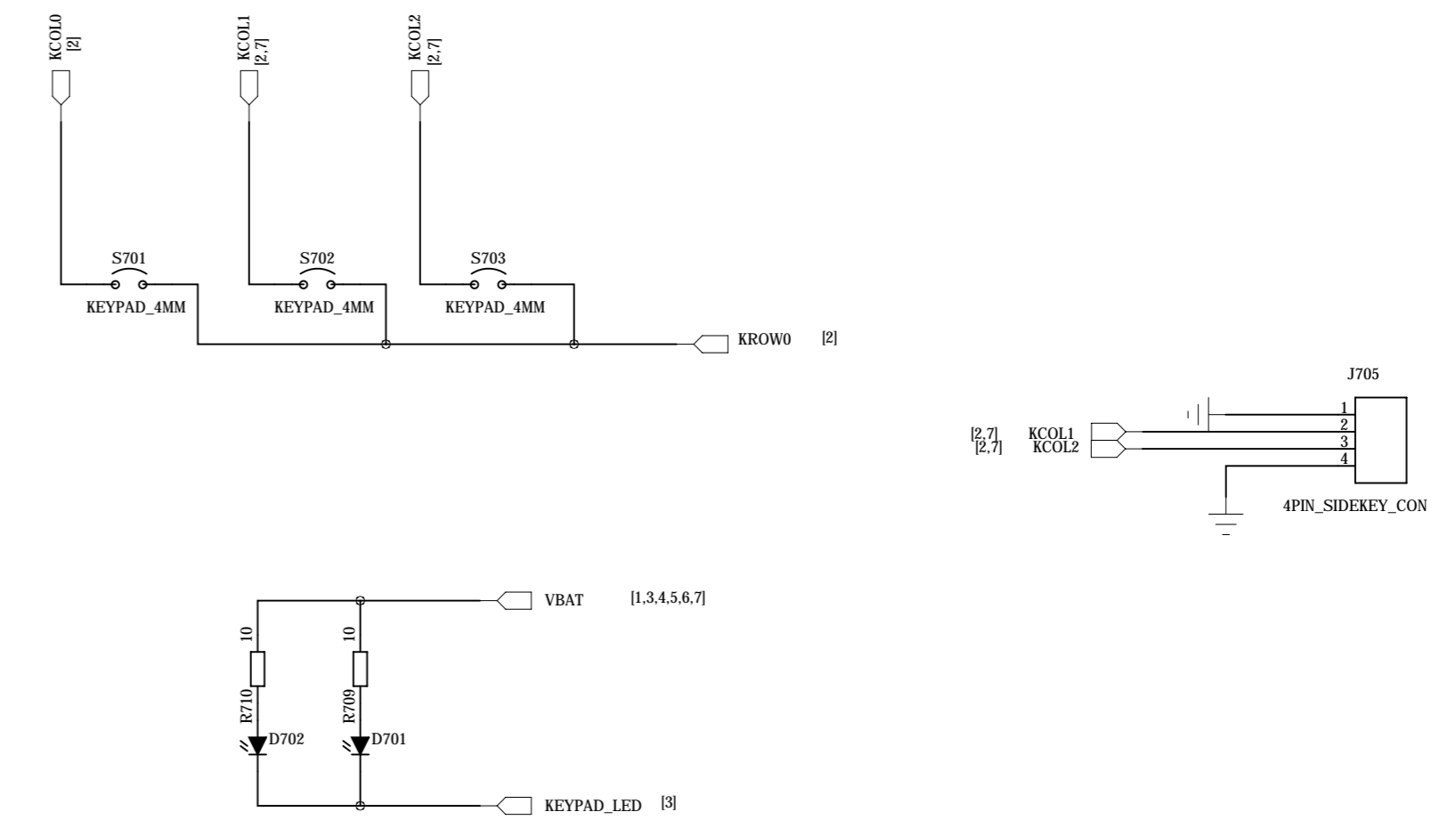
LCM



Main Camera



KeyPAD



DRAWN: DYF	DATED: 2011-07-07	COMPANY:	
CHECKED: <Checked By>	DATED: <Checked Date>	TITLE: TJUP100_MB_V10	
QUALITY CONTROL: <QC By>	DATED: <QC Date>	TJ CODE: <Code>	REV: V10
RELEASED: <Release By>	DATED: <Release Date>	SIZE: A1	SHEET: 7 of 8