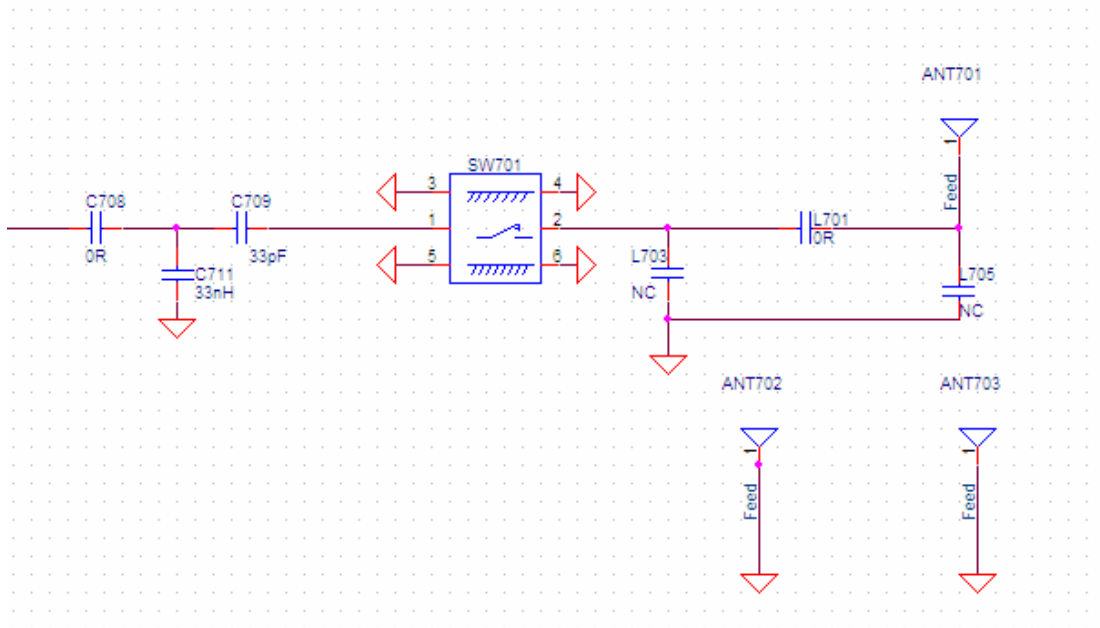


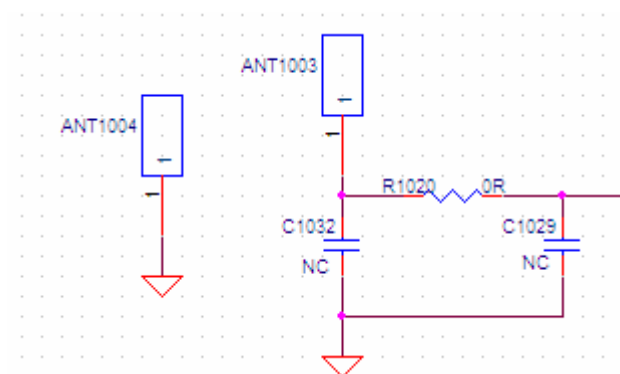
CIRCUIT DESCRIPTION

1、 GSM/UMTA Transmitter/Receiver Circuit



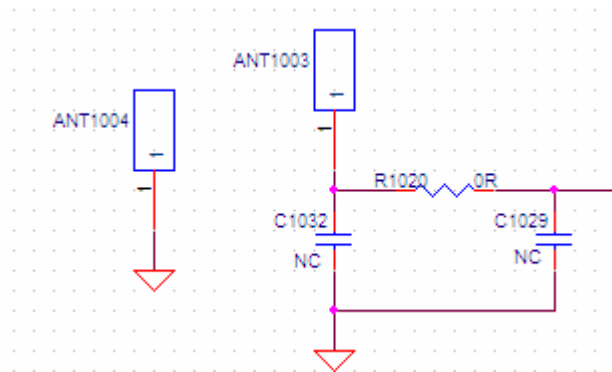
This circuit shows the transmitter and receiver path. The RF signal which is amplified by RF PA transmits to antenna through antenna switch and then radiate to the air. L701, L703, L705 make up of the antenna matching circuit. When receiver, the antenna receive the RF signal, and then demodulated by RF3232

2、 WIFI Transmitter/Receiver Circuit



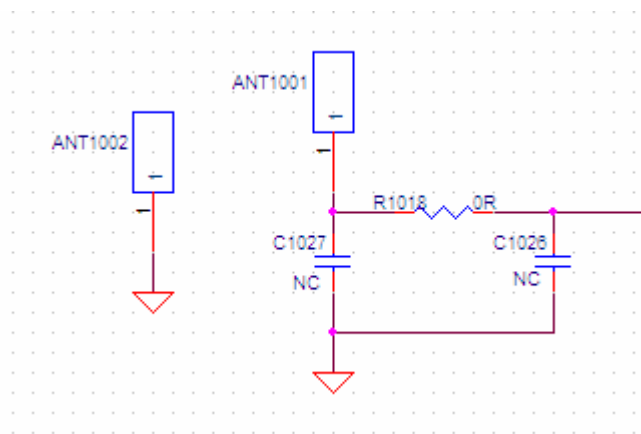
This is wifi RF circuit. antenna out connect to 2.4G SAW.

3、 BT Transmitter/Receiver Circuit



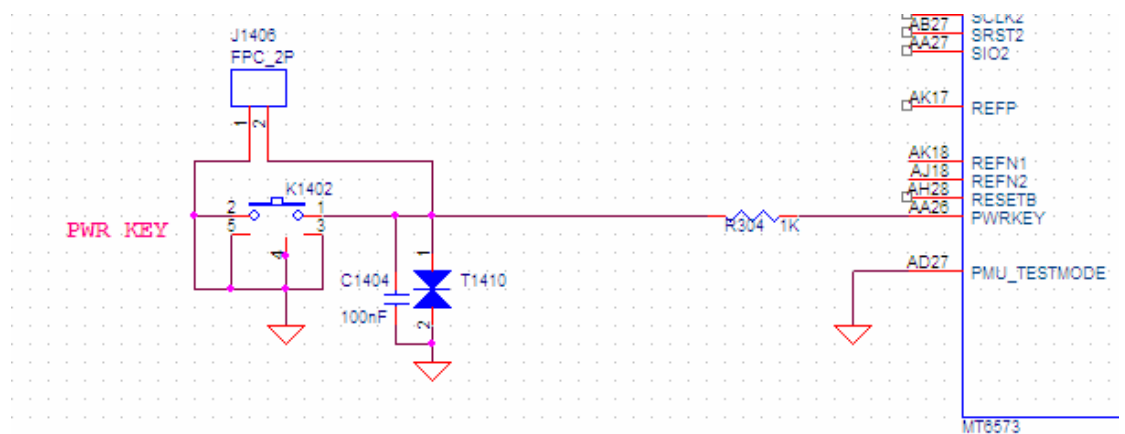
This is BT RF circuit. Connect to 2.4G FILTER.

4、GPS Receiver Circuit



This is GPS RF circuit. Connect to GPS FILTER.

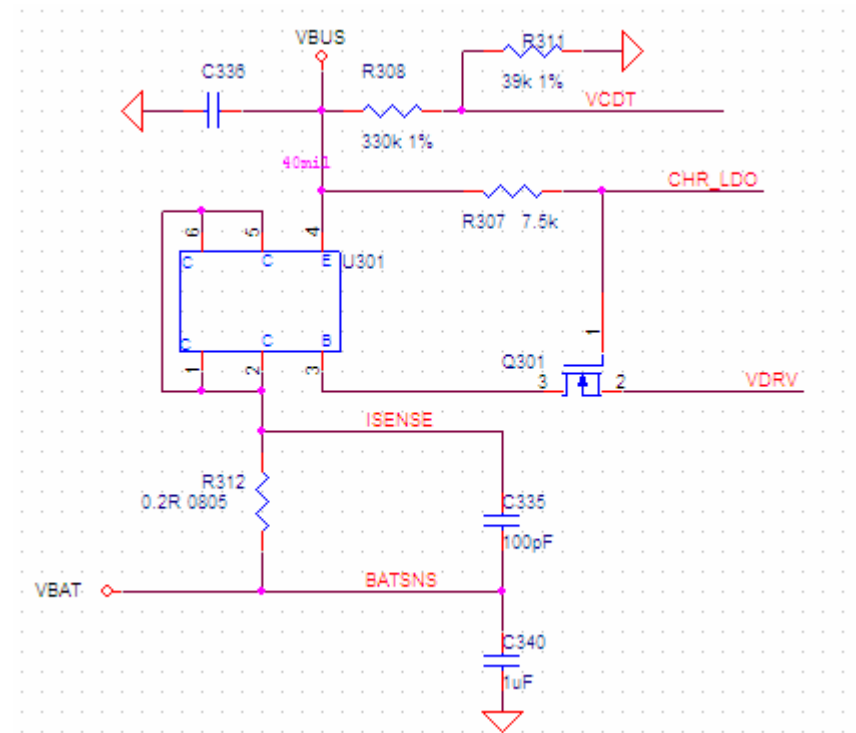
5、Power ON/OFF Circuit



After inserting the battery, VRTC output voltage of 2V, and then the 32.768 kHz crystal start to work. Now press the power on/off switch K1402, the BB inner program start initialing. Press the power on/off switch about 2s at normal work

status, CPU will detect the signal and you will see the power off item.

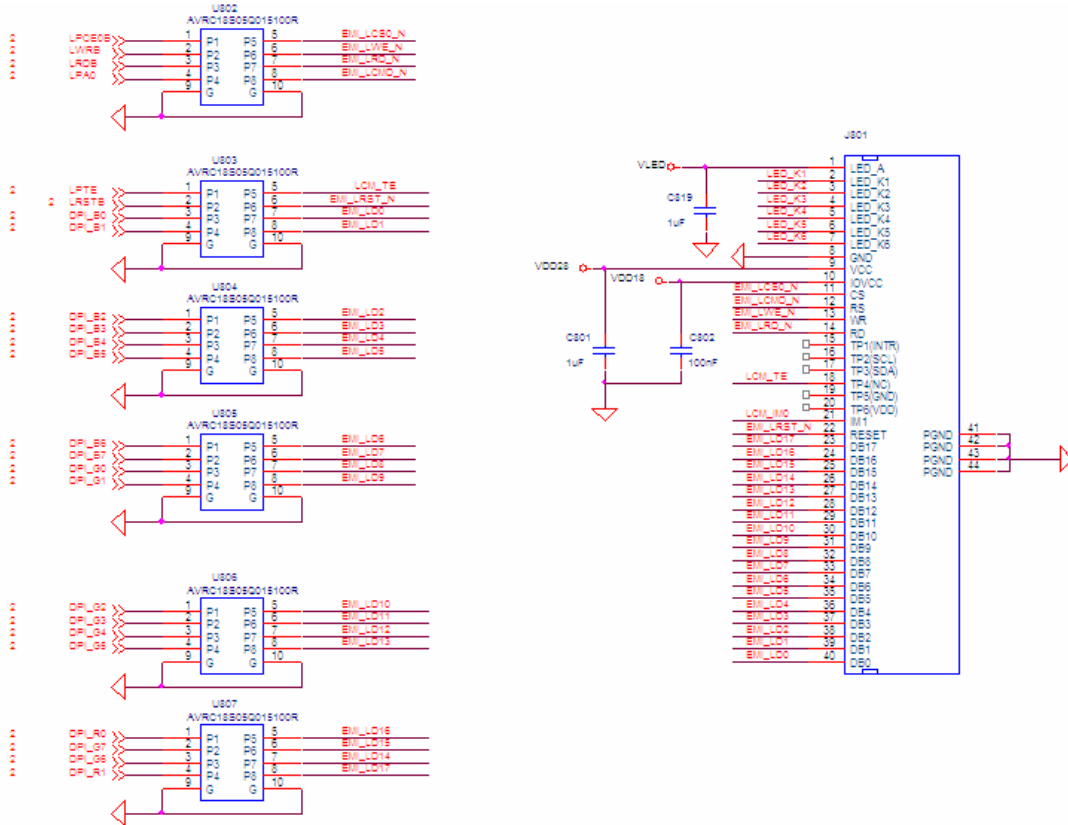
6、Charger Circuit



The U201 MT6577 integrates the charger control circuit. When inserting the charging adapter, VCDT detect high level, and start the charging program. VDRV output Analog voltage to control charging current. The ISENSE and BATSNS between R609 is charge current A/D input.

The GATEDRV/CHRIN/ISENSE/BATSNS will connect to MT6577 and MT6577 is charge controller.

7、LCD Circuit



The LCD connects to MT6577 through EMI&ESD filter. The signals are defined as follows:

IOVCC: LCD interface driver voltage, provided by MT6577

VCC: LCD inner driver voltage, provided by MT6577

CS: Chip select signal

RESET: Reset signal

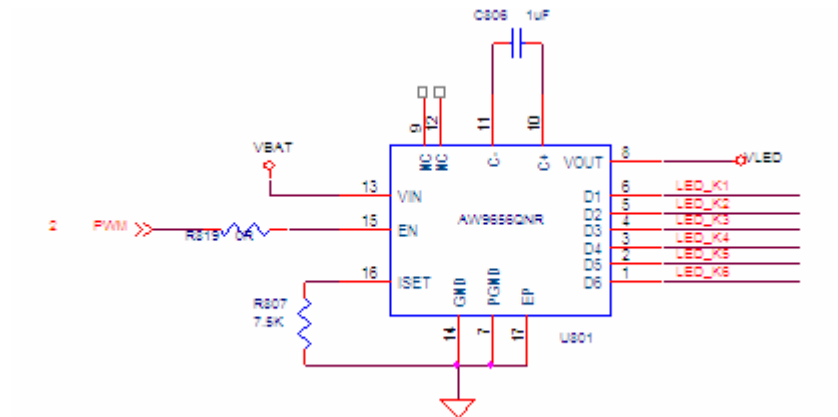
WR: LCD writing signal

RD: LCD reading signal

RS: LCD data/command select signal

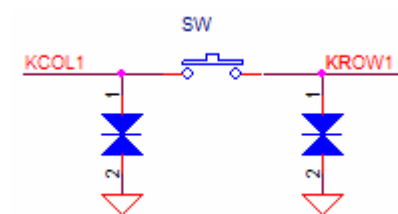
DB0~DB17: LCD data signal

8、LCD Backlight Circuit



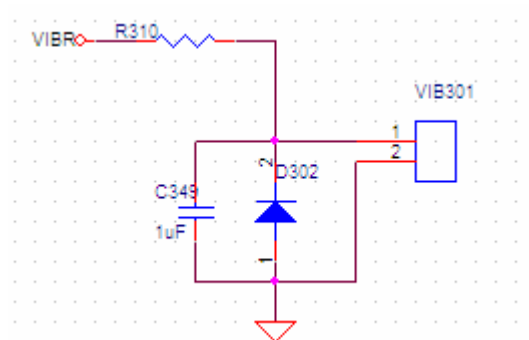
LCD backlight is provided by a LED. The LED controlled by the AW9656QNR.

9、Keypad Circuit



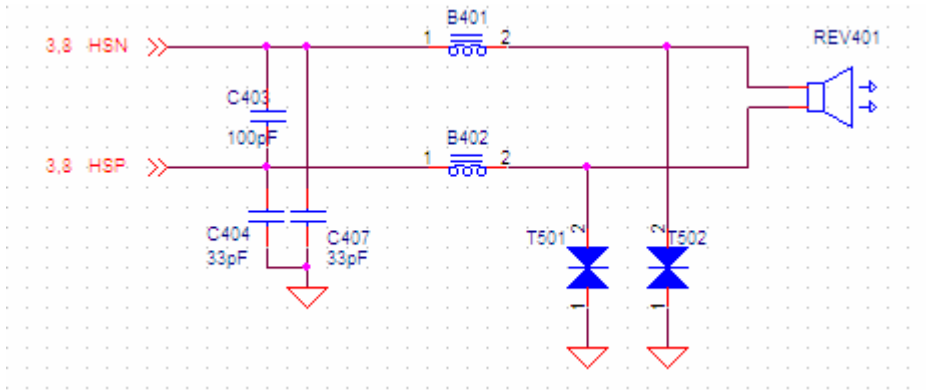
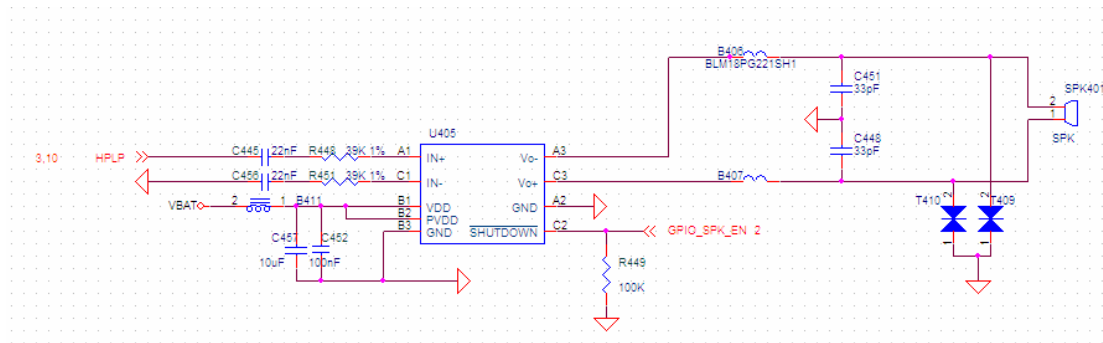
MT6577 support a 8*8 scan matrix (8 inputs and 8 outputs), can support 64 keys. When some key is pressed, the column detects low level, CPU start the keypad scan program, judge the key value, and start the corresponding operation. All used inputs and outputs have connected the TVS.

10、 Motor Control Circuit

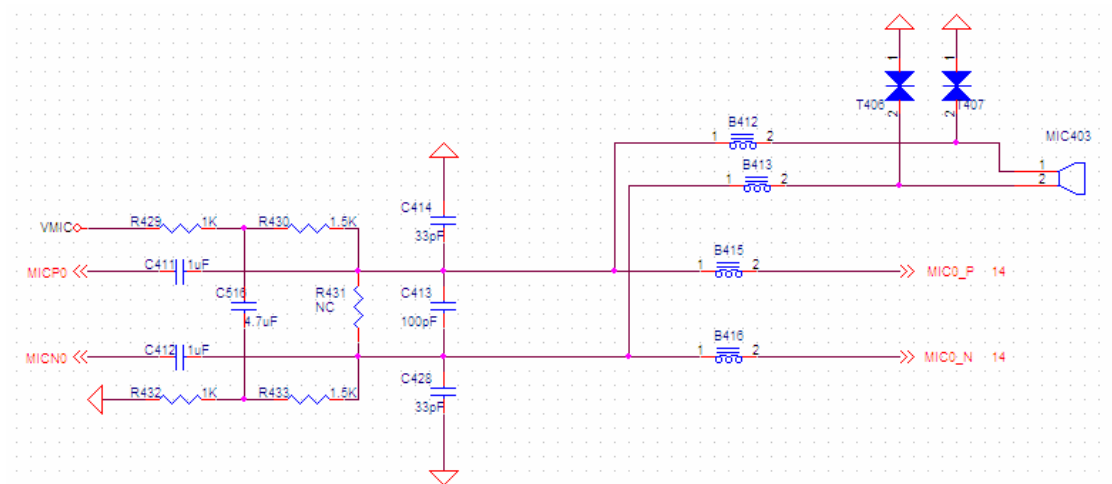


The MT6577 controls the motor open or close. When the control pin VIBRATOR is 2.5-2.8V, the motor start to work, and when it is OFF, the motor stop vibrate. The diode D601 is used as protect diode.

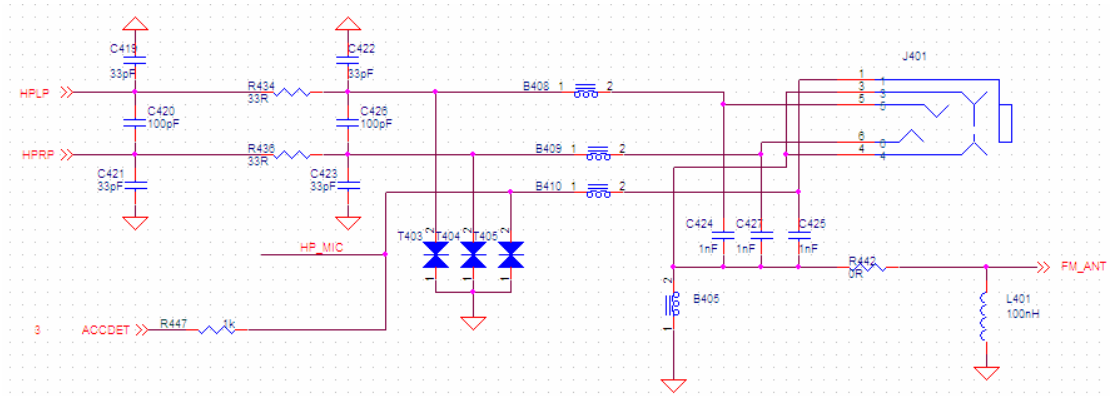
11、 Audio Circuit



The receiver is drive by inner power amplifier of BB(MT6577). The speaker is drive by inner power amplifier of Audio PA.

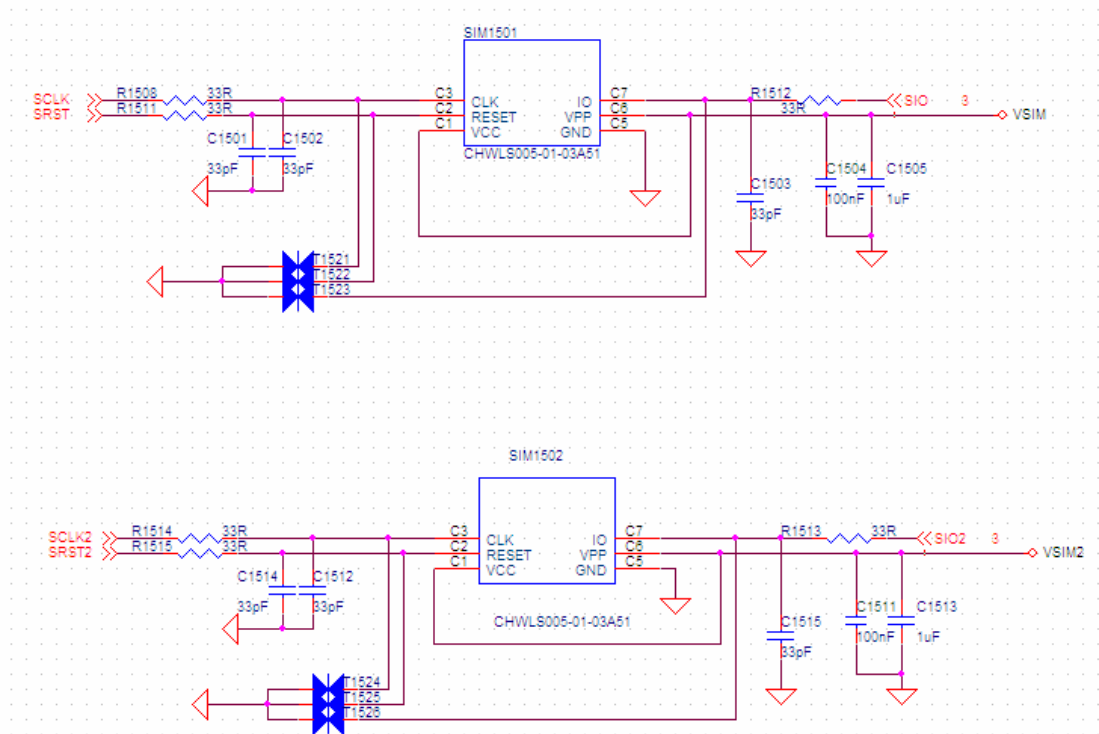


This is a microphone circuit. VMIC provides the bias voltage for microphone.



This is headset circuit. ACCDET is headset insert signal. When headset insert, it is low. FM_ANT is FM analog signal from headset and to FM circuit.

12、 SIM Card Circuit



SIM card pin defined as follows:

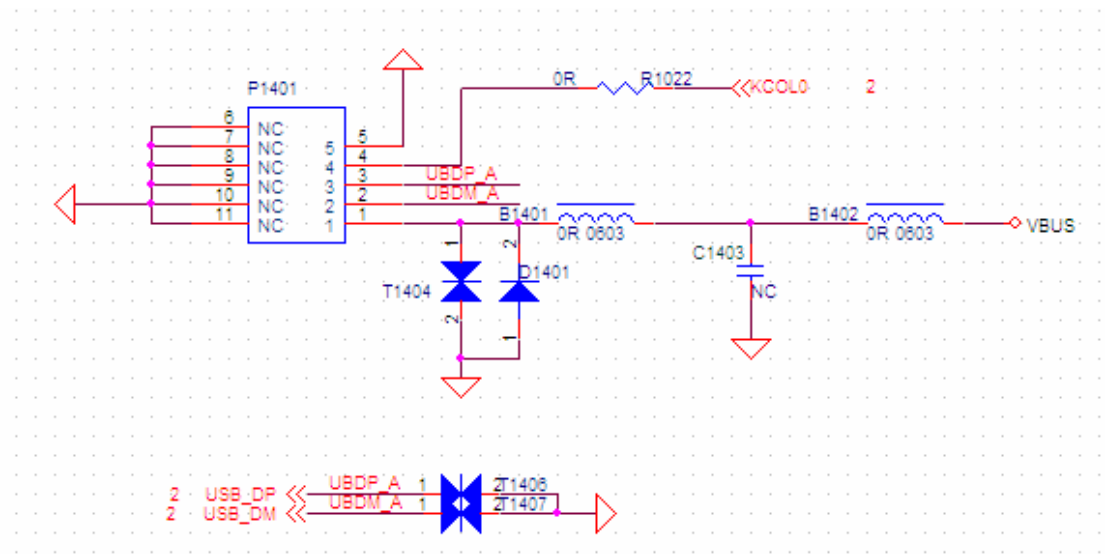
VSIM: SIM card voltage supply, provide by PMU(MT6320)

SIMIO: Data input/output

SIMCLK: Clock signal

SIMRST: Reset signal

13、 I/O Circuit



The I/O circuit used as USB port/ charge input.