

Boyx2-tv

User Manual

Table of Contents

1 Safety Precautions	4
2 Your Mobile Phone	5
2.1 Keys and functions	5
3 Get Started	5
3.1 On/off	5
3.2 Assembling of battery and SIM card.....	5
3.3 Assembling of memory card	6
3.4 Battery Recharge	6
4 Safety Password.....	7
4.1 PIN number	7
4.2 PIN2 number	7
4.3 PUK number.....	7
4.4 Mobile phone password.....	7
5 Quick Use Guide.....	8
5.1 Call functions	8
5.1.1 Make a call.....	8
5.1.2 Answer a call.....	9
5.1.3 View the missed calls.....	9
5.1.4 Options available during a call.....	9
5.1.5 Volume control.....	10
5.2 Input text	10
6 Main Menu	10
6.1 File Manager.....	10
6.2 Phonebook	10
6.2.1 Save phone numbers and names	10
6.2.2 Searching numbers in phonebook	10
6.2.3 Phonebook options	11
6.3 Game	11
6.4 Call Center.....	11
6.5 Messages	12
6.5.1 Write message	12
6.5.2 Inbox	13
6.5.3 Drafts.....	13
6.5.4 Outbox.....	13
6.5.5 Sent messages	13
6.5.6 Broadcast Message.....	13
6.5.7 Message settings	14
6.6 Multimedia	14
6.6.1 TV	14
6.6.2 Image Viewer	14
6.6.3 Video Recorder	15

6.6.4 Audio player.....	15
6.6.5 Sound recorder.....	15
6.6.6 Video Player.....	15
6.6.7 FM Radio	16
6.6.8 Camera	16
6.7 Organizer	16
6.8 Settings	17
6.8.1 Dual SIM settings.....	17
6.8.2 Pen Calibration.....	17
6.8.3 Phone settings	17
6.8.4 Network settings	17
6.8.5 Security setup.....	17
6.8.6 Connectivity	18
6.8.7 Restore factory setting.....	18
6.9 User Profile.....	18
6.10 Extra.....	19
6.11 Internet.....	19
7 FAQ and Solutions.....	19

1 Safety Precautions

Read and abide by the instructions set forth as below to avoid dangers or violation against the law.

Drive safely at all times

Do not use a hand-held phone while driving. Park the vehicle first.

Switch off the phone when refueling

Do not use the phone at a refueling point(service station) or near fuels or chemicals.

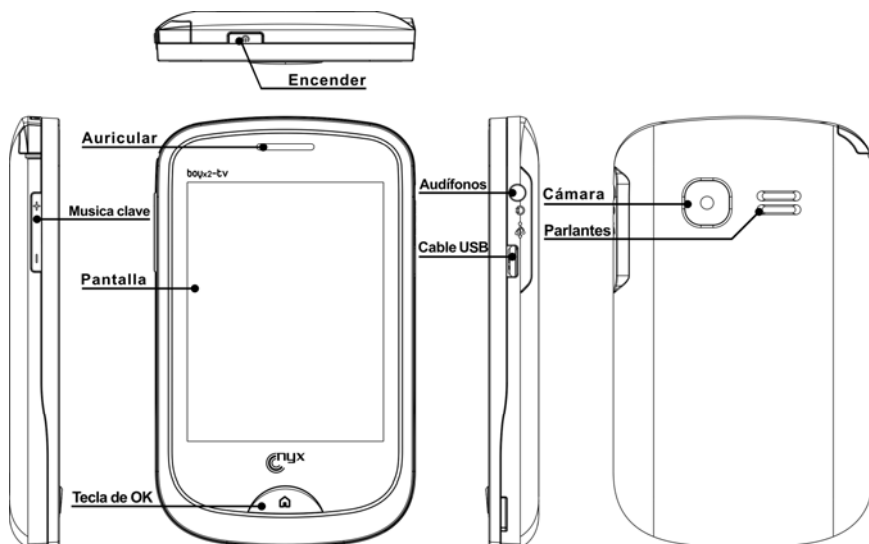
Switch off in an aircraft

Wireless phones can cause interference. Using them in an aircraft is both illegal and dangerous.

In hospital

Hospitals or health care facilities may be using equipment that could be sensitive to external radio frequency energy. Follow any regulations or rules in force.

Your Device



Interference

All wireless phones may be subject to interference, which could affect their performance

Special Regulations

Meet any special regulations in force in any area and always switch off your phone whenever it is forbidden to use it, or when it may cause interference or danger.

Sensible use

Use only in the normal position (held to your ear).

Accessories and batteries

Use only approved batteries and accessories.

Qualified service

Only qualified service personnel may repair your phone.

2 Your Mobile Phone

Our company reserves the right to make modifications to the contents of this manual without any prior notices.

2.1 Keys and functions

Name	Functions
Home key	Enter the main menu interface
Power off key	Long press: Power off(Power on in power off state)

Note: In this manual, “short press” a key means press then quickly release the key; “long press” a key means press the key and hold for not less than 2 seconds

3 Get Started

3.1 On/off

Long press end key to power on/off your mobile phone.

If you start up your mobile phone without inserting SIM card, the following two situations will appear:

“insert SIM ” –indicates no SIM card found, but you can call emergency call.

“Enter Phone Lock Code” – indicates that you have set mobile phone lock.

After inserting SIM card, the handset will automatically check if the SIM is valid.

Then, the following prompts will be displayed in order on the screen:

“Enter Phone Lock Code” – in the case you have set mobile phone lock.

“Enter PIN” – in the case you have set SIM password.

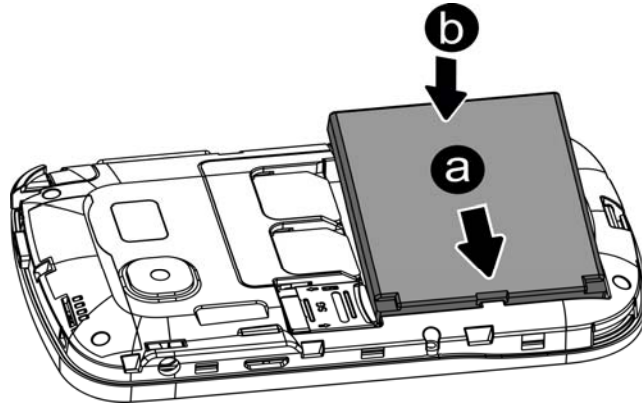
“Invalid SIM” –in the case you log on other networks, you can only dial emergency.

”Searching” –mobile phone will search until proper network access is found.

3.2 Assembling of battery and SIM card

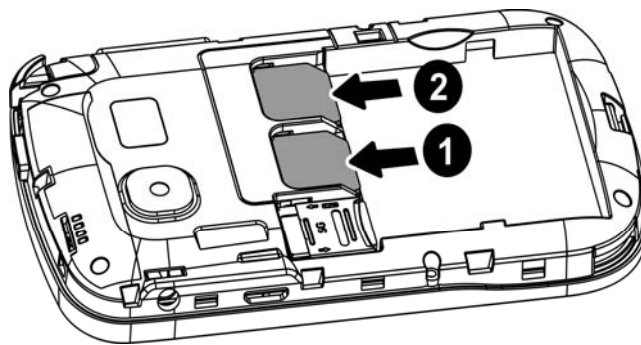
Before your can operate the mobile phone, you should get a valid SIM card from the service operator, otherwise, you could not make any call except emergency call.

- 1) Take out the battery
 - ◆ Pull down the battery cover as the figure
 - ◆ Take out the battery



2) Assemble SIM card

This mobile phone supports two SIM cards. Insert one or two SIM cards to the sockets.



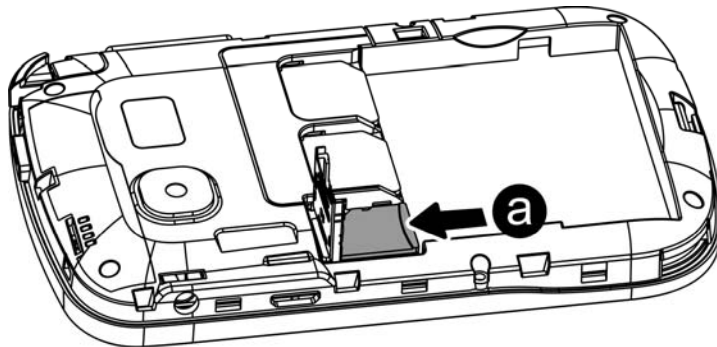
3) Assemble battery

Assemble the battery as the figure; be careful that the contact metal of the battery should be consistent with the socket of the mobile phone.

Push up the battery cover as the figure.

3.3 Assembling of memory card

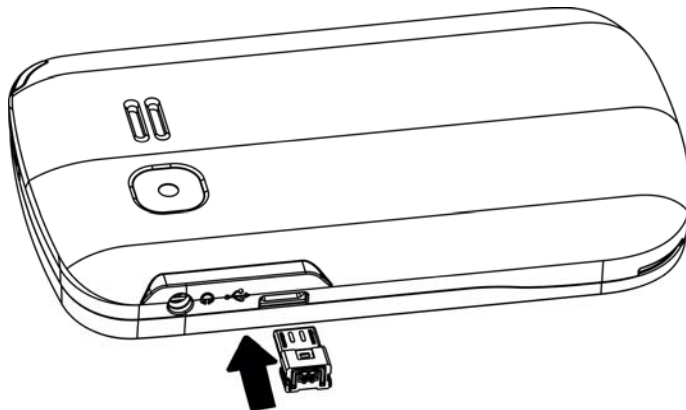
This mobile phone supports T-Flash card, which is a small multimedia memory card used to increase the memory of your mobile phone. Take care when assembling or disassembling to avoid the damage.



3.4 Battery Recharge

Connect the battery charger to a power outlet, plug the connector of the battery

charger into the mobile phone. Then the power level indicator at upper right screen will flash. If the phone is off when charging, the screen will display “charging” indicating the battery is being charged. If the phone is deposited for long time, the power indicator may take some time to appear on the screen. If the power indicator at upper right screen of the phone displays battery full and stops to flash, it means that the charge is done. If the phone is off, the screen will display a Charge Completed indicator. During charge, it is normal if the battery, mobile phone and battery charger are hot. After the charge, disconnect the AC outlet and mobile phone with the battery charger.



This phone is just 50% charged when delivery. Please use up the power and recharge it fully. This is the case with the second recharge. After three repetitions, the battery can achieve its best performance.

4 Safety Password

4.1 PIN number

By setting PIN number (Personal identification number), it can prevent others from using your SIM card without authorization.

4.2 PIN2 number

In order to go to “call cost” and “fixed dialing”, please contact your network service provider to confirm whether your SIM card supports such functions. After 3 times of error PIN2 number, the PIN2 number will be locked. Only after the correct PUK2 number is input can PIN2 number be unlocked. PUK2 number may be provided along with the SIM card.

4.3 PUK number

In order to unlock the blocked PIN number, you need to input PUK number (Personal Unlocking Key).

4.4 Mobile phone password

In order to prevent unauthorized user from using your mobile phone, you can set a

password to protect your mobile phone. If you select this function, you need to input the password every time when starting up your phone. Otherwise, you cannot unlock your phone, and cannot dial or answer phone calls. Also, you can deactivate this password.

In the case of you forgetting your password, you must contact your retailer or local authorized service center to unlock the password of your mobile phone.

5 Quick Use Guide

5.1 Call functions

In any country using digital GSM network, so long as you are in network covering range (to know it by examining the indication bar of the network signal intensity at upper left corner of the screen), you may use the emergency call function. If your network service provider offers no roaming service in this region, the screen will display "EMERGENCY", reminding you of making this kind of call. If you are in the network covering range, you may make emergent call without SIM card.

5.1.1 Make a call

The information scales displayed on the upper left screen indicate the intensity of network signal (of which 4 scales appeared indicating the strongest signal). The calling quality will be largely affected by the barriers, so the movement within small extension can improve the intensity of signal effectively.

Ways to enter into the call screen:

Dialing numbers in standby mode: please input the numbers in the cursor input box, and dial the number by pressing the SIM1 or SIM2 dial key. The Mobile Phone support dual SIM cards, so you can press SIM1 or SIM 2 dial key to dial the selected number from SIM1 or SIM2 respectively.

Dialing numbers in phonebook: in standby mode, press right soft key to go to the phonebook menu. After find the contact, dial the number by pressing the SIM1 or SIM2 dial key.

Dialing numbers in call list: in standby mode, press center key to enter into main menu, and then press direction keys to select call center. Through the list of missed calls, dialed calls and received calls, select the corresponding call and dial the number by directly pressing dial key, or dial the number by entering into the options in the current list to select the number.

◆ **Domestic number:** zone code + tel. number + dial key

An extension to a fixed phone: zone code + switchboard number + "P" + extension number + dial key (Input "P" as below: press the key "p")

- ◆ **International fixed number:** “+” country code + telephone number + dial key (Input “+” press “+” key)

When inputting the numbers to dial, you can proceed with the following operations:

- ◆ Press the “del” key to delete the character before the cursor.
- ◆ Press the center key to save the input number.

During dialing, you can press the end key to end the call you are dialing.

5.1.2 Answer a call

When a call comes in, it enters into the phone-in screen, alerting you with presetting ringing tone or vibration.

If the number does not exist in the phonebook, the caller's number appears. Otherwise, his/her name appears.

5.1.3 View the missed calls

In the main menu interface, you can select call list via direction keys. Then, select the missed call under the call history to view the missed call information.

5.1.4 Options available during a call

In the calling interface, you can select options to go to call options interface. These call options can be seen only during a call. Moreover, such functions as “call divert”, “many calls”, “call barring”, “call waiting” require network support, so please contact your network service provider for such functions.

With call options, you may carry out the following operations:

Hold single call: In “many calls”, you can hold one call.

End single call: End your call.

New call: In “many calls”, after pausing one call, you can make a new call.

Phonebook: Go to the phonebook menu.

Messages: Go to message function menu.

Voice changer: change the voice

Sound Recorder: Record the call.

Mute/Restore: Switch on/off the mute mode.

DTMF: If it is off, then it will not send the sound of DTMF for the inputted numeric figures.

Note:

Some menu items only appear in particular situations or require local network support.

5.1.5 Volume control

After connected to call, Side volume control keys to control volume plus or minus.

5.2 Input text

This mobile phone supports English and Bahasa Indonesia inputs, providing you with multiple input methods: letter input, numeric input, symbol input, etc

6 Main Menu

6.1 File Manager

File Manager manages the memory space of the mobile phone and the T-flash card. Access the files stored on a T-flash card. This menu is only available when you insert a T-flash card into the phone.

** This phone can support up to 2GB T-flash card only.

6.2 Phonebook

By Saving phone numbers and the name of corresponding contact in the phone and SIM card, you can carry out related operations just via viewing the phonebook.

This mobile phone can save up to 300 telephone numbers, whereas the number of telephone numbers that can be saved in the SIM card will vary with different SIM card.

6.2.1 Save phone numbers and names

In standby mode, input the phone number directly. Press center key to save current number either in phone or SIM card. Then, input the name or related information. Finally, confirm the operation according to the prompts.

- ◆ When inputting wrong number, name or other related information, press del key to delete the character before the cursor.
- ◆ For inputting names and other related information, refer to chapter 5.2 "input text".

6.2.2 Searching numbers in phonebook

In standby mode, press right soft key to go to phonebook, and select quick search to go to the interface view the phonebook. If you insert dual SIM cards, the numbers include phone, SIM1 card and SIM2 card.

- ◆ Select different records by upward and downward keys of direction keys
- ◆ Quick search for the records in phonebook: input corresponding content at the cursor, it will immediately display all records according to your conditions

- Under abc input status, input “a”, it displays all records with “a” as first letter like “amy”, “andy” etc; input “n”, it displays all records starting with “an”, like “andy”;
- Under id input status, input “a”, it displays all records with “a” as first letter like “amy”, “andy” etc; input “n”, it displays all records starting with “an”, like “andy”;
- ◆ Press aA key to switch into other input methods.

You can also select search contact in the phonebook interface. By inputting the name of contact, you will directly arrive at the corresponding record.

6.2.3 Phonebook options

In the phonebook interface, in addition to the above-mentioned two options: quick search and search contact, and also support the following options: View, Phonebook backup, Send SMS, Send MMS, Call, Edit, Delete, Copy, Move, Add to Blacklist, Caller groups, Phonebook settings.

6.3 Game

You can enjoy and play the games.

6.4 Call Center

◆ Call history

In standby mode, press the center key to go to the main menu, and then select the call center to view the phonebook and call log.

Call center include the following sub-menus: Call history and General call settings

In the **Call history**, you can carry out the following operations:

- ◆ **Missed Calls:** record for missed calls.
- ◆ **Dialed Calls:** record for dialed calls.
- ◆ **Received Calls:** record for received calls.
- ◆ **Delete Log:** delete the record of missed calls, or dialed calls, or received calls.
- ◆ **Call Settings**
 - ◆ **SIM1/2 call settings:** you can set call waiting, call divert, call barring, line switching.
 - ◇ **Call waiting:** you can set this function on or off, and can also view the current settings via query.
 - ◇ **Call divert:** You can set to divert the incoming calls in different cases.
 - ◇ **Call barring:** In order to activate this service, it requires the services provided by the network service provider.
 - **Outgoing calls:** You can select to bar all calls, international calls, or excluding international calls.
 - **Incoming calls:** You can select to reject all incoming calls, or incoming calls when roaming.
 - **Activate all:** All calls can be activated

- **Cancel all:** cancel all option settings. When carrying out the operations for these options, it is required to forbid password operations.
- **Change barring password:** You need to input the old password.
- ◆ **Line switching:** switch between line 1 and line 2.
 - ✧ It is up to the network service provider if you can make calls on line 2.
- ◆ **Advanced settings**
 - ✧ **Auto redial:** You can select to redial the number automatically when a call is not connected.
 - ✧ **IP dial:** YOU CAN SET IP NUMBER
 - ✧ **Call time reminder:** After setting this function on, it will offer warning tone towards the end of every minute sharp during the call process, so you will be reminded of the call time at any time when calling.
 - ✧ **Answer mode:** Set Any key or Auto answer when headset mode

6.5 Messages

In order to use SMS(MMS) services, select SMS(MMS) by pressing direction keys to go to the text message menu.

6.5.1 Write message

- ◆ **Text message**
 - ✧ First input the contents of the short message, and insert special marks when the punctuation simulation keypad is activated (all punctuation marks are available when the input method of capital and small letters is selected).
 - ✧ Select “Option” and carry out the following operations:
 - ✧ Send to: Enter number or Add from phonebook. Can add multiple recipients here.
 - ✧ Input method: change input method.
 - ✧ Advanced: Insert number, Insert name from the phonebook or Insert bookmark from WAP bookmark
 - ✧ Save: By SIM1 or By SIM2; save the sms to SIM1 or SIM2
- ◆ **Multimedia message**

With this option, you can edit new multimedia message. However, you need to input the receiver, copy, Bcc, subject and contents;

- To, CC and BCC: you can input the telephone number or email address via numeric keys;
- Subject: edit the subject for the multimedia message;
- Contents: Edit the contents of the multimedia message. During the edition, you can select different input methods via options, and you can also select to insert pictures, sound, movies or other attached files;
- After editing the multimedia message, with the screen prompts, you can

select "Done" to send the multimedia message. The operations include:
Send Only, Save and Send, Save to Drafts, Send Options, Exit

- ✧ Save and Send: save the current multimedia message into the outbox while sending;
- ✧ Save to Draft: save directly the current multimedia message into draft without sending;
- ✧ Send Options: select to set Validity period, Delivery report, read report, and priority;
- ✧ Exit: remind you if you want to exit the current multimedia message after saving.

If you choose to save, then the current multimedia message will be saved into the draft box.

6.5.2 Inbox

It includes SIM1 Inbox and SIM2 Inbox. The short message list includes read and unread short messages. These short messages are listed in the sequence of their receipt time.

Following the SMS(MMS) icon is the telephone number that has sent this short message. If this number has been stored in the phonebook, the name of the sender is displayed.

The following action can be implemented after a short message read: reply message, multimedia message, dial forward, forward, delete, and advance.

6.5.3 Drafts

The following operation can be implemented after reading the draft of the cases of short, sent from sim1, the transmission from sim2, edit, delete, delete all.

6.5.4 Outbox

The following operation can be implemented after reading a short message, send, edit, delete, delete all.

6.5.5 Sent messages

The following operation can be implemented after reading a short message, send, edit, delete, delete all.

6.5.6 Broadcast Message

Please contact your network service provide for this function, and you need to set language and subject.

In the cell broadcast, you can carry out the following operations:

- ◆ Receiving mode: set whether to receive cell broadcast short messages.
- ◆ Read message: After receiving CB short messages, you can read them one by one.
- ◆ Languages: Press the center key to select whether to select all languages.

- ◆ Channel settings: Set CB channels, and you can select, add, edit and delete CB channels.

6.5.7 Message settings

SMS Settings:

This item includes SIM1 SMS settings and SIM2 SMS settings.

- ◆ Profile settings
Store or modify the number of the SMS center necessary for sending a short message, or get the number from the network operator, or set short message storage time limit.
- ◆ Memory Status
Check the percentage of the short messages stored in SIM card and mobile phone in total capacity. The specific capacity is determined according to the contents of short messages, mobile phone and SIM card.
- ◆ Save sent message
- ◆ Preferred Storage
Set the default storage position of short messages (SIM or phone).

MMS Settings:

- ◆ Data account
Set the MMS data account
- ◆ Common settings
Compose, Sending, Retrieval, Preferred storage, and Memory status.

Service message

- ◆ Enable push
- ◆ Enable service loading

6.6 Multimedia

6.6.1 TV

Open Analog TV interface, and press the left soft key to enter the TV options menu.

- ◆ Set Region – set the country / region of the current location
- ◆ Input channel – open the specific channel directly
- ◆ Program list – Show the scanned channels list
- ◆ Scan – To scan the TV channels
- ◆ Full screen – change the current TV screen in to full screen display

6.6.2 Image Viewer

Open the Image viewer to view the photos. The Options include: View, Image information, browse style, Send, Use as, Rename, Delete, Sort by, Delete All Files, and Storage.

- View: To view the photos
- Image information: photo information: filename, date, file size, image

width and height

- Browse style: you can select list mode or matrix mode to view the pictures.
- Send: You can send the photo via MMS or Bluetooth
- Use as: You can set the photos to wallpaper, screensaver, power on display, power off display, caller picture.
- Rename: Rename the photos
- Delete: Delete the selected photo
- Sort by: You can select to sort the photos by name, type, time, size.
- Delete All Files: You can delete all the photos
- Storage: You can select to view the photos from phone or memory card

Browse all the images stores in the phone and the T-flash card.

6.6.3 Video Recorder

This mobile phone provides video recording function. Select menu "Video Recorder" and press the Center key to record video.

- ◆ Press Option to access:
- ◆ Camcorder Settings: select this option to set parameters of recorder.
- ◆ Video settings: set the size, quality, time limit reached and record audio of videos.
- ◆ White balance: select the brightness of videos.
- ◆ Effect Settings: set the special good effect of videos.
- ◆ Storage: Save in mobile phone or memory card.
- ◆ Restore default: Restore all settings to factory default.

6.6.4 Audio player

To multimedia menu choices audio player to enter music player interface and save the audio files

Click on the list of the song list, the options available to the following operation:

- ◆ Play: Play song
- ◆ Details: Songs for details view
- ◆ Refresh list: Update the song list

6.6.5 Sound recorder

6.6.6 Video Player

Open Video Player Interface; then select the video file, press the center key, select Options, including Play, Rename, Delete, Delete All Files, Sort

After entering the function of video recorder, press the center key to start recording, and then press center key to open the "Options" menu to perform the following operations:

- ◆ Play: play the specified video file;
- ◆ Send: As multimedia or via Bluetooth
- ◆ Rename: rename the specified video file;
- ◆ Delete: delete the specified video file
- ◆ Delete all files: delete all video files;
- ◆ Sort by: sort all video files according to name, type, time, size and none.
- ◆ Storage: select a path for storing the video files in your mobile phone or memory card.

6.6.7 FM Radio

You need to plug in earphone to use this function.

Press the center key to select Options, and carry out the operations, including Channel list, Manual input, Auto search ,Settings, Play/stop: by pressing down Key

6.6.8 Camera

Select Camera in the main menu, you can enter into the photo-taking preview interface.

By pressing the left soft key (SIM1 Send Key) to select options, you can go to the Photos, camera settings, image settings, white balance, scene modes, effect settings, and restore default.

- ◆ Switch to video recorder
- ◆ Photos : Into the photo album function
- ◆ Camera Setting: Settings for the shutter sound, EV, Anti-flicker, Contrast, Delay timer, Cont. shot
- ◆ Image Setting: Set size and quality of photo.
- ◆ White balance: Set white balance, and you can select auto, daylight, tungsten, fluorescent, cloudy and Incandescent.
- ◆ Scene modes: You can select auto and night modes
- ◆ Effect setting: You can select normal, grayscale, sepia, sepia green, sepia blue and color invert.
- ◆ Storage: select to store the photo to phone or memory card
- ◆ Restore default: Restore the settings of the camera to the initial state

6.7 Organizer

◆ Calendar

You can view the calendar, also view the tasks, Add task, jump to date, or go to the weekly view on or off, via options.

◆ Alarm

There are 5 alarm clocks set in the system. You can open one or all according to your need (The clock is off by default). You can set on or off, snooze time and alert type for individual alarm clocks.

◆ World clock

You can look up the time of major cities around the world and set the time as your display time of your device. Press direction keys to view the time of major cities in other countries.

6.8 Settings

You can set password to protect personal privacy namely phonebook, message and call logs. When setting this function on, password has to be offered if you want to interview this menus.

6.8.1 Dual SIM settings

You can select different modes to use the mobile phone.

- ◆ Dual SIM open: You can use dual SIM cards in one time.
- ◆ Only SIM1 open: You can only use SIM1 card.
- ◆ Only SIM2 open: You can only use SIM2 card.
- ◆ Flight mode: You can set general mode, flight mode or query mode to ensure the safety on plane

6.8.2 Pen Calibration

6.8.3 Phone settings

In Phone Settings, you may set functions, such as the language, time and date, according to your preferences and operation habits. You can see the following setting options in the phone setting interface

- ◆ Time and Date; you can set home city, time and display format.
- ◆ Schedule Power ON/Off: You can set 4 auto power on/off times. In default settings, the function is off.
- ◆ Language: set the language displayed in the screen of your mobile phone.
- ◆ Preferred writing language: Editor language settings
- ◆ Display settings:
 - Wallpaper: You can select your wallpaper
 - Power on display: You can select the power on logo
 - Power off display: You can select the power off logo
 - Show date and time: set the display time and date on or off.
- ◆ Flight:
- ◆ UART settings: SET SIM 1 OR SIM 2.
- ◆ Misc.settings: You can adjust the phone's brightness and backlight wait time

6.8.4 Network settings

- ◆ Network Selection: Select the network to be used while roaming outside of your home area, or let the network be chosen automatically.
- ◆ Preferences: You can select your favorite network manually.

6.8.5 Security setup

You can set up the safety options for your mobile phone via this menu to prevent your

mobile phone or SIM card from unauthorized use

- ◆ **SIM1 / SIM2 security settings**
 - **SIM lock:** Press Activate to enable PIN lock, which will require you to input a password when the mobile phone is started up. Otherwise, the SIM card is unavailable.
 - **Fixed dial:** Set the phone to restrict calls to a limited set of phone numbers, if supported by your SIM card.
 - **Change password:** You can change the password of PIN, PIN2.

6.8.6 Connectivity

- ◆ **Bluetooth**

Can transfer file via Bluetooth or talking phone call via Bluetooth headset

- ◆ **Data account**

6.8.7 Restore factory setting

Some function settings can be reset to factory settings by this option.

This function requires the correct password to be executed.

The factory password is preset as 1122.

6.9 User Profile

You can select different modes on different occasions to carry out the personal settings in the environment modes such as ring tone, vibration, volume, etc. This function makes it possible to get adjusted to different situations without changing the ring tone settings at multiple places, and you only need to switch to the pre-set environment mode.

- ◆ **General mode:** It is ringing alert by default;
- ◆ **Silent mode:** It does not have ringing and vibrating alert
- ◆ **Meeting mode:** It is vibrating alert by default;
- ◆ **Outdoor mode:** It uses the maximum volume, vibration + ringing alert, by default;
- ◆ **My style mode:** You can set your own alert mode.

In every mode, you can edit the following in a separate manner:

- ◆ **Volume:** set the volume for the ring tone and key tone.
- ◆ **Alert type:** 4 manners are available: ringing, vibration, vibration and ringing, and vibration then ringing.
- ◆ **SIM1/2 Incoming call:** set the tones for incoming calls, power on, power off, messages tone and keypad tone, respectively.
- ◆ **Ringtone volume:** set the incoming ringtone volume
- ◆ **SIM1/2 message:** set the tones for SIM1/2 message
- ◆ **Message volume:** set the message tone volume
- ◆ **Keypad:** set the keypad tone
- ◆ **Keypad volume:** set the keypad tone volume
- ◆ **Power on:** set the power on tone
- ◆ **Power off:** set the power off tone

- ◆ **System alert:** switch on or off the system alert

6.10 Extra

- ◆ **Calculator**

Use the direction key and number key via the cues on the display screen to make the calculator available.

- ◆ **Ebook reader**

T card you can load and read e-book

6.11 Internet

- ◆ **WAP**

For network connection. You want to make the right choice set, and then enter the appropriate URL to access the network

- ◆ **STK**

This feature is provided by your network service provider. Depending on the SIM card services, new menus or options may appear. Use a variety of additional services offered by your service provider.

7 FAQ and Solutions

Before contacting your after-sales services provider, please conduct some simple inspections as below. In this way, you may save unnecessary maintenance time and costs

FAQ	Causes and solutions
Unable to boot up	<ul style="list-style-type: none"> ■ Ensure you have pressed and held the power on key for at least 1 second; ■ Check the battery for proper connection. Disassemble and reinstall the battery, and then try to restart the phone; ■ Check whether the battery power has been used up. Please re-charge your battery.
Access to network failed	<ul style="list-style-type: none"> ■ For weak signal, move to another place and retry; ■ Out of reach of the network service provider; ■ SIM card is inactive. Contact your network service provider.
Display information during startup	<ul style="list-style-type: none"> ■ Check the SIM card to see if the SIM card is correctly installed; ■ Automatic lock function is checked. Enter the phone lock password before use; ■ The PIN code is displayed. The PIN function has been checked. Enter the PIN code each time when the phone is started up; (For the first use, enter the PIN code provided with the SIM card) ■ Enter PUK code: If wrong PIN codes are entered for three times consecutively, the mobile phone will be locked. In this case, input the PUK code provided by the network service provider.

Poor voice quality	<ul style="list-style-type: none"> ■ Please check whether the volume control is suitable; ■ When the phone is used in places with poor telecommunications, such as high rises or basement, the radio wave cannot be transmitted efficiently; ■ When you use the phone in the rush hour of calls, line congestion will disable calls.
Shorter standby time	<ul style="list-style-type: none"> ■ The standby time is associated with the network system setup. In this case, you are possibly in place with poor communication. When the signal is not available, the phone will continue to search for the base station. This will consume a lot of battery power, making standby time much shorter. To continue to use, move to a place with strong signal, or shut down the phone temporarily; ■ Replace the battery with a new battery.
SIM card error	<ul style="list-style-type: none"> ■ If the metal surface of the SIM card is dirty, clean the metal contact with a clean piece of cloth; ■ SIM card has not been properly installed; ■ If SIM card is damaged, contact your network service provider.
Unable to make calls	<ul style="list-style-type: none"> ■ Check whether the Dial key is depressed after the number is inputted; ■ Check whether your calls have been barred due to insufficient mobile phone fee; ■ Check whether the SIM card is effective; ■ Check whether the call barring function has been set; ■ Check whether the fixed dialing function has been set.
Your caller is unable to access to you	<ul style="list-style-type: none"> ■ Check that your phone has been started up and accessed to the network; ■ Check whether your phone has been restricted because of insufficient mobile phone fee; ■ Check whether the SIM card is valid; ■ Check whether the call barring function has been set; ■ Check whether the fixed dialing function has been set.
Unable to re-charge the battery	<ul style="list-style-type: none"> ■ Not well connected. Check whether the plug is properly connected; ■ Charge the battery under 10 °C or above 55°C. Please change to another environment; ■ The battery or battery charge is damaged. If necessary, change it.
Unable to set up some functions	<ul style="list-style-type: none"> ■ Operation errors; ■ The network service provider doesn't support this function, or you have not applied for this function.

FCC Caution

Any Changes or modifications not expressly approved by the party responsible for compliance could void the user's authority to operate the equipment.

This device complies with part 15 of the FCC Rules. Operation is subject to the following two conditions:

(1) This device may not cause harmful interference, and (2) this device must accept any interference received, including interference that may cause undesired operation.

Note: This equipment has been tested and found to comply with the limits for a Class B digital device, pursuant to part 15 of the FCC Rules. These limits are designed to provide reasonable protection against harmful interference in a residential installation. This equipment generates uses and can radiate radio frequency energy and, if not installed and used in accordance with the instructions, may cause harmful interference to radio communications. However, there is no guarantee that interference will not occur in a particular installation. If this equipment does cause harmful interference to radio or television reception, which can be determined by turning the equipment off and on, the user is encouraged to try to correct the interference by one or more of the following measures:

- Reorient or relocate the receiving antenna.
- Increase the separation between the equipment and receiver.
- Connect the equipment into an outlet on a circuit different from that to which the receiver is connected.
- Consult the dealer or an experienced radio/TV technician for help.

SAR tests are conducted using standard operating positions accepted by the FCC with the phone transmitting at its highest certified power level in all tested frequency bands, although the SAR is determined at the highest certified power level, the actual SAR level of the phone while operating can be well below the maximum value, in general, the closer you are to a wireless base station antenna, the lower the power output.

Before a new model phone is available for sale to the public, it must be tested and certified to the FCC that it does not exceed the exposure limit established by the FCC, Tests for each phone are performed in positions and locations (e.g. at the ear and worn on the body) as required by the FCC.

For body worn operation, this model phone has been tested and meets the FCC RF exposure guidelines when used with an accessory designated for this product or when used with an accessory that Contains no metal and that positions the handset a minimum of 1.5 cm from the body.

Non-compliance with the above restrictions may result in violation of RF exposure guidelines.