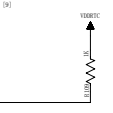
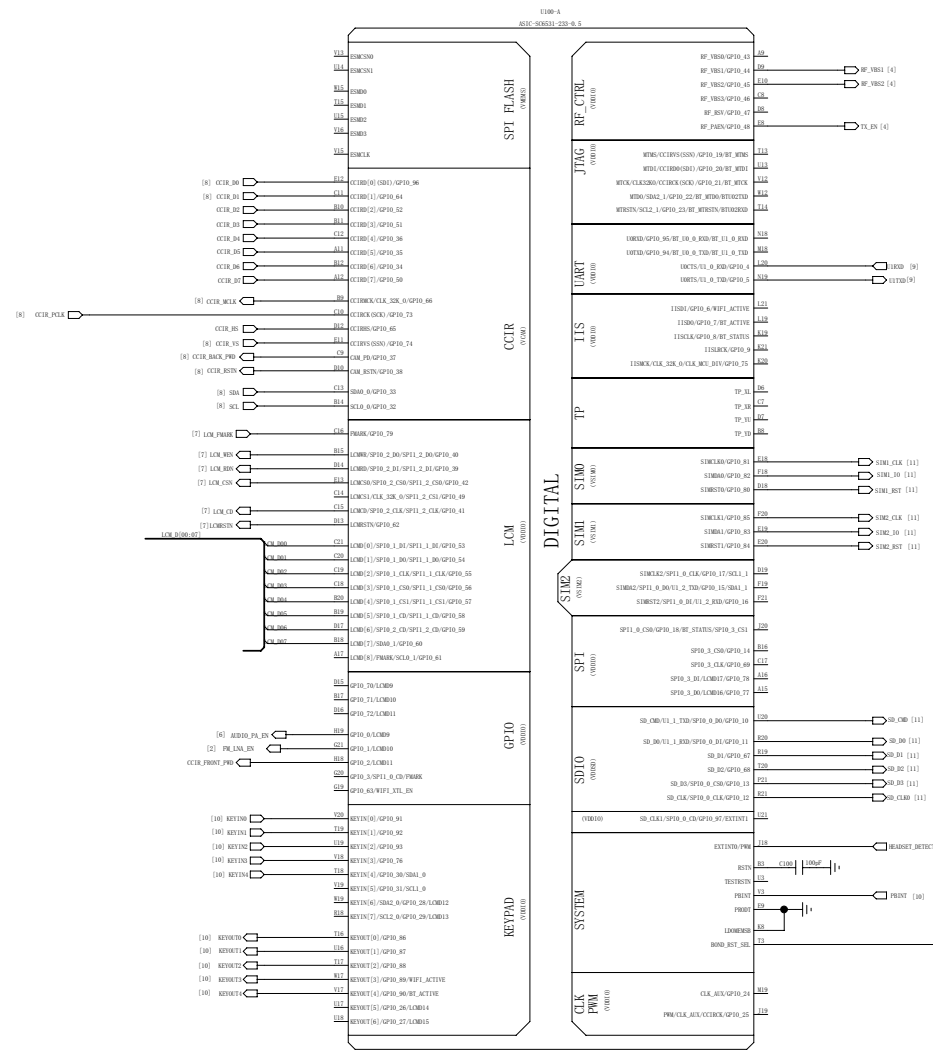
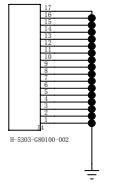


REVISION RECORD			
LT#	REV. NO.	APPROVED	DATE

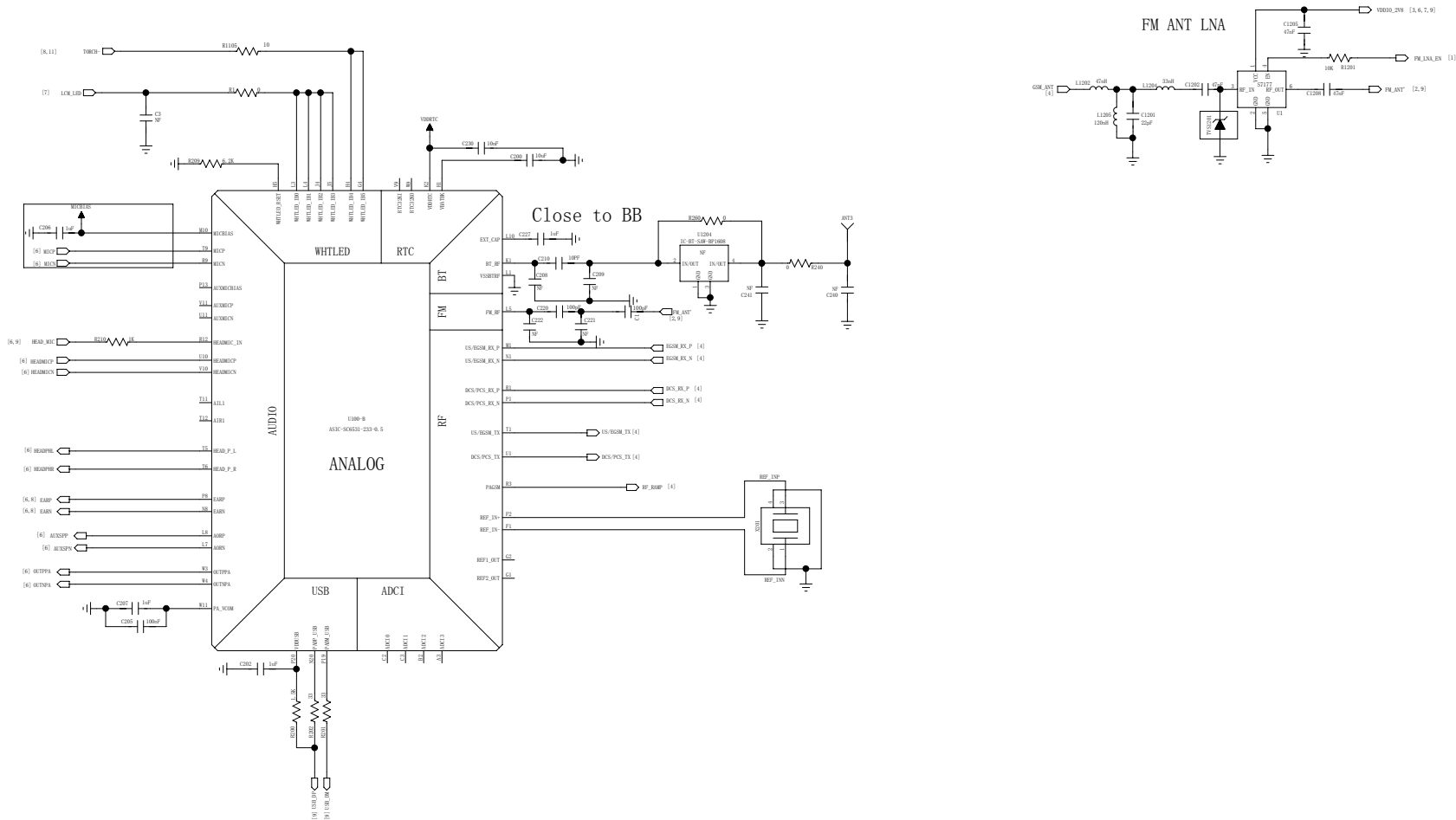


COMPANY: **Freecom**

TITLE: **<Title>**

DESIGN: <Drawn By>	DATE: <Drawn Date>	CODE: <Code>	SIZE: A1	DRAWING NO: <Drawing Number>	REV: V1.0
CHECKED: <Checked By>	DATE: <Checked Date>	QUALITY CONTROL: <QC Date>			
RELEASED: <Released By>	DATE: <Release Date>	SCALE: <Scale>			

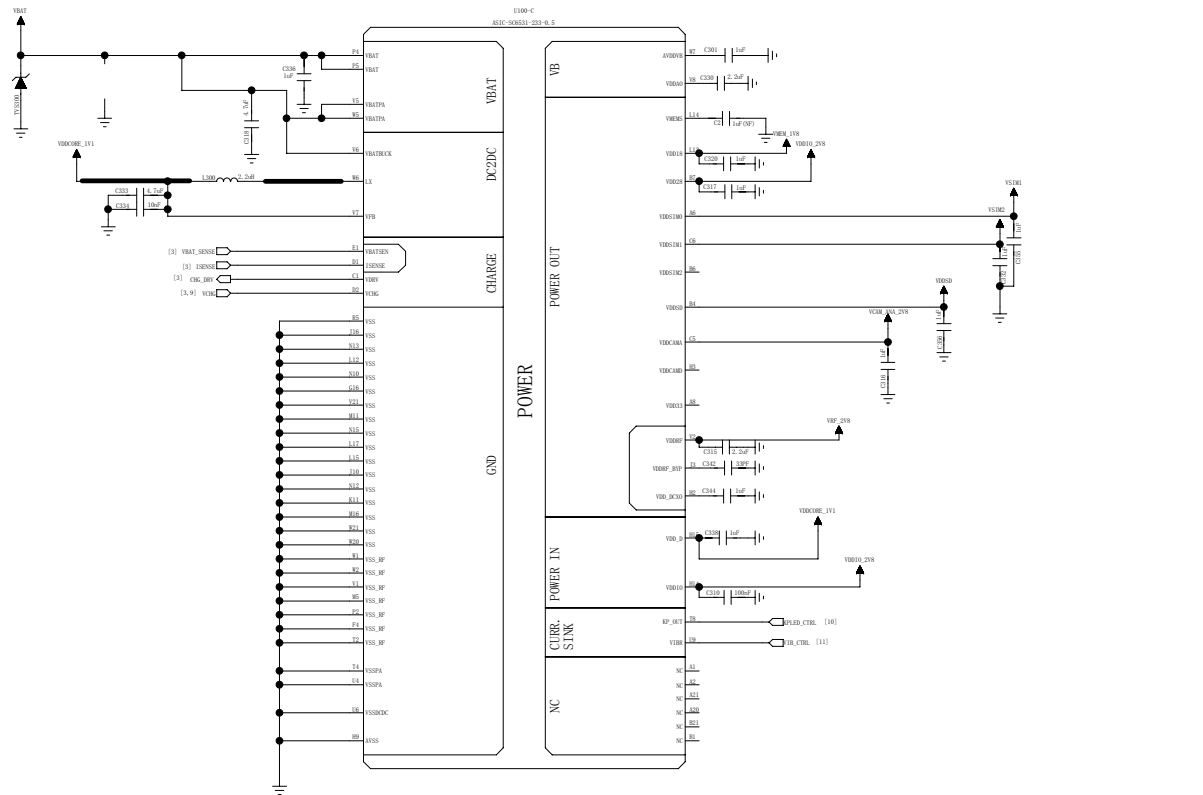
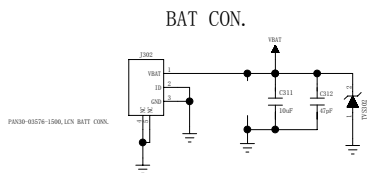
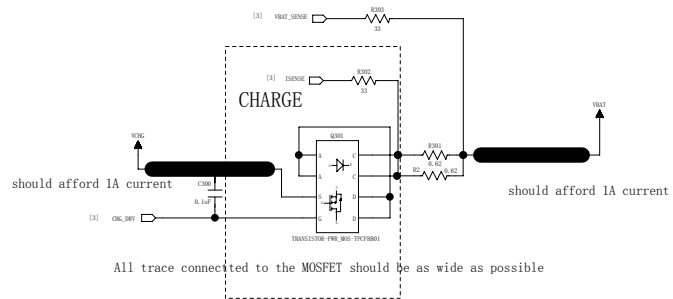
REVISION RECORD			
REV	REV NO.	APPROVED:	DATE:



COMPANY:		Freecom			
TITLE:		<Title>			
DESIGN:	<Drawn By>	DATE:	<Drawn Date>		
CHECKED:	<Checked By>	DATE:	<Checked Date>	CODE:	
QUALITY CONTROL:	<QC By>	DATE:	<QC Date>	SIZE:	
RELEASED:	<Released By>	DATE:	<Release Date>	DRAWING NO.:	
				REV:	
				SCALE:	<Scale>
				SHEET:	2 of 11

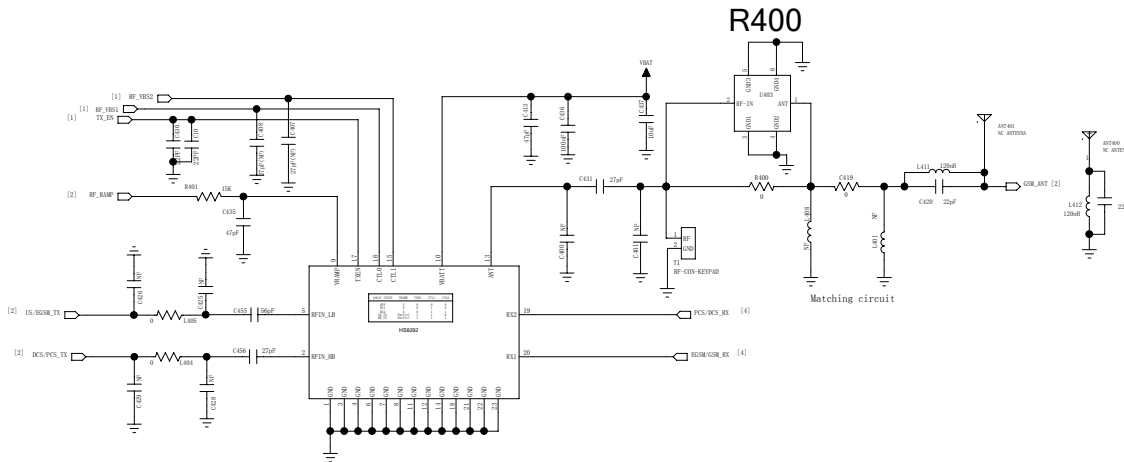
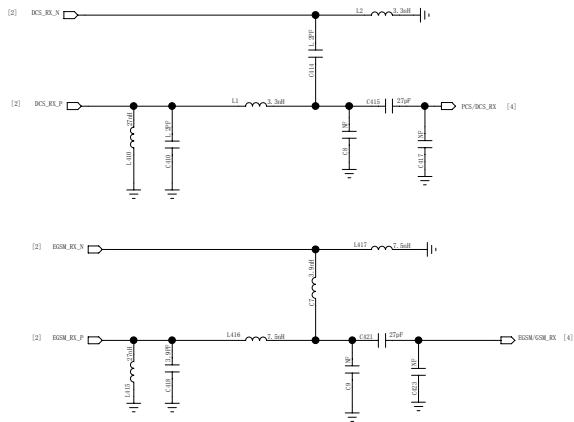
CODE:	AI	DRAWING NUMBER:	<Drawing Number>	REV:	V1.0
-------	----	-----------------	------------------	------	------

REVISION RECORD			
REV	REV NO.	APPROVED:	DATE:



DRAWN: <Drawn By>		DATE: <Drawn Date>		COMPANY: Freecom			
CHECKED: <Checked By>		DATE: <Checked Date>		TITLE: <Title>			
QUALITY CONTROL: <QC By>		DATE: <QC Date>		CODE: <Code>	SIZE: A1	DRAWING NO: <Drawing Number>	REV: V1.0
RELEASED: <Released By>		DATE: <Release Date>		SCALE: <Scale>		SHEET: 3 of 11	

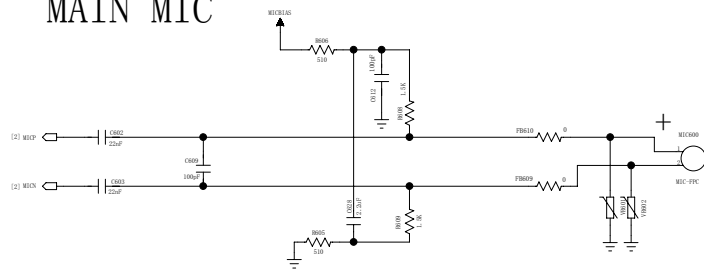
REVISION RECORD			
LT#	REV NO.	APPROVED:	DATE:



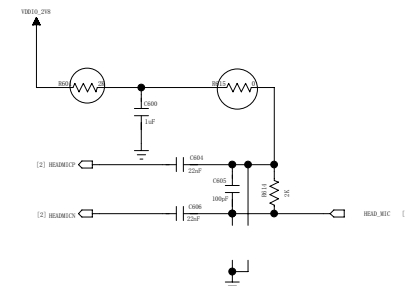
COMPANY: Freecom			
TITLE: <Title>			
DESIGN: <Drawn By>	DATE: <Drawn Date>		
CHECKED: <Checked By>	DATE: <Checked Date>	CODE: <Code>	SIZE: A1 <Drawing Number> V1.0
QUALITY CONTROL: <QC By>	DATE: <QC Date>		
RELEASED: <Released By>	DATE: <Release Date>	SCALE: <Scale>	SHEET: 4 of 11

REVISION RECORD			
REV	REV NO.	APPROVED:	DATE:

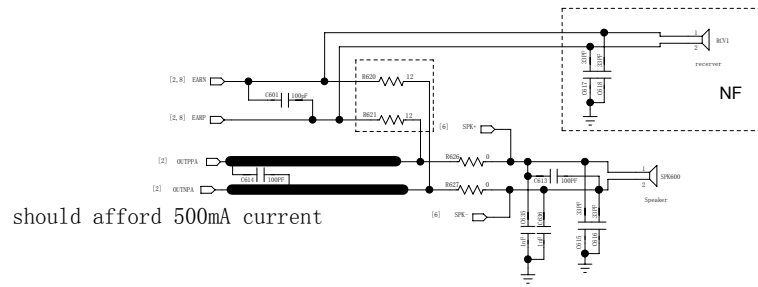
MAIN MIC



EAR-MIC

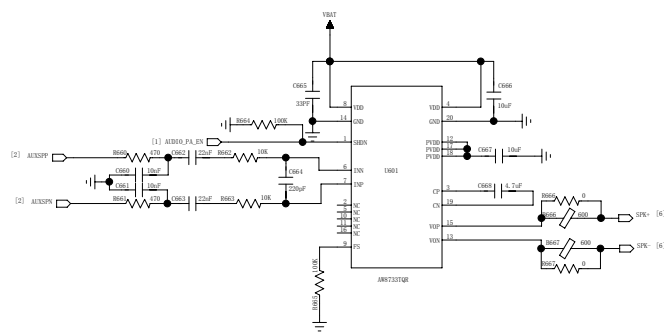
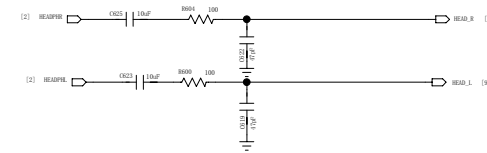


combined speaker and receiver



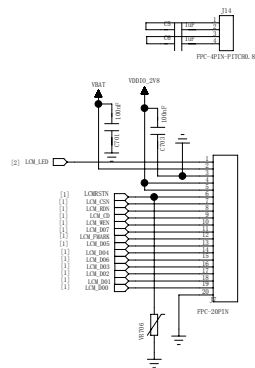
should afford 500mA current

HEADPHONE



DESIGN: <Drawn By>		DATE: <Drawn Date>		COMPANY: Freecom			
CHECKED: <Checked By>		DATE: <Checked Date>		TITLE: <Title>			
QUALITY CONTROL: <QC By>		DATE: <QC Date>		CODE: <Code>	SIZE: A1	DRAWING NO: <Drawing Number>	REV: V1.0
RELEASED: <Released By>		DATE: <Release Date>		SCALE: <Scale>		SHEET: 6 of 11	

REVISION RECORD			
REV	REV NO.	APPROVED:	DATE:



COMPANY: Freecom

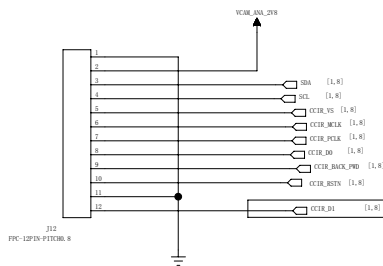
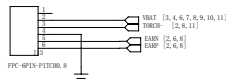
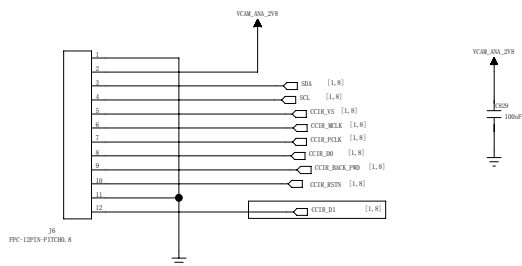
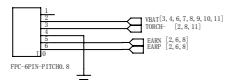
TITLE: <Title>

DESIGN: <Drawn By>	DATE: <Drawn Date>	CODE:	SIZE:	DRAWING NO:	REV:
CHECKED: <Checked By>	DATE: <Checked Date>				
QUALITY CONTROL: <QC By>	DATE: <QC Date>				
RELEASED: <Released By>	DATE: <Release Date>				

<Code> A1 <Drawing Number> V1.0

SCALE: <Scale> SHEET: 7 of 11

REVISION RECORD			
LT#	REV NO:	APPROVED:	DATE:

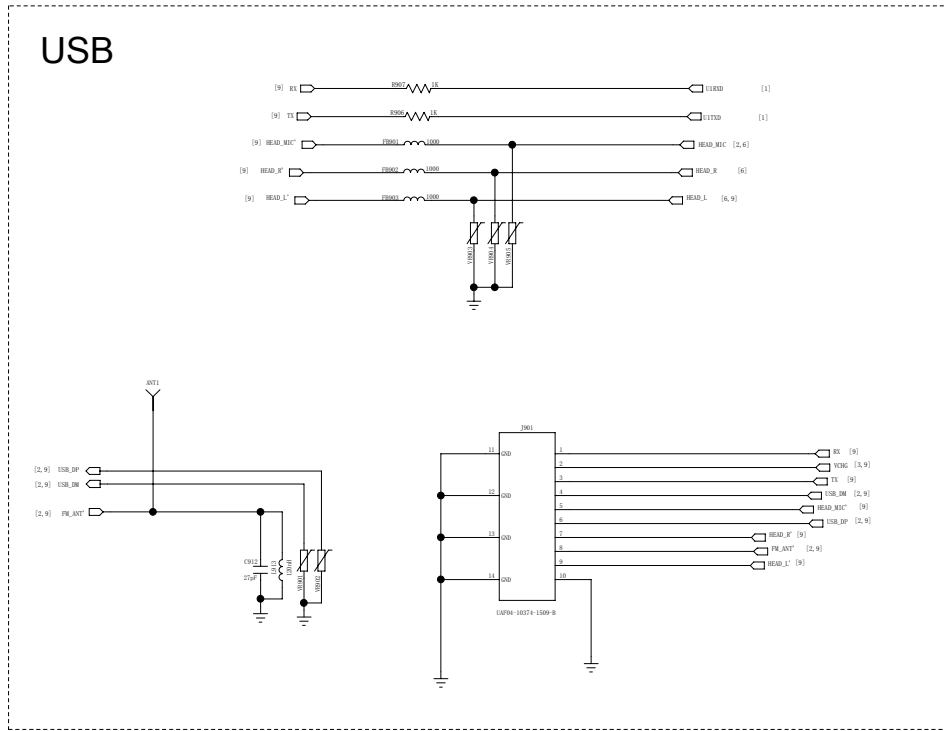
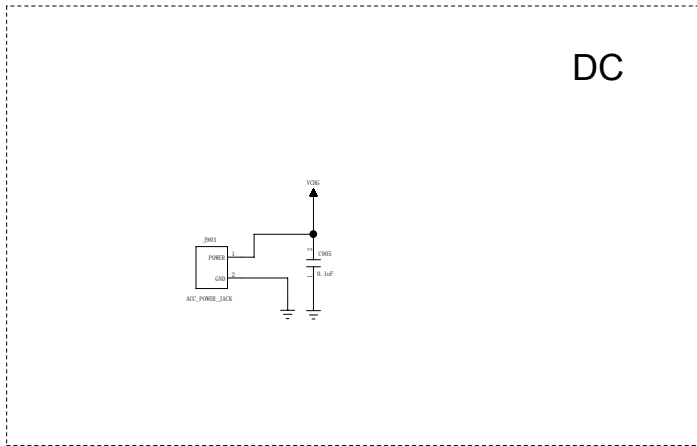
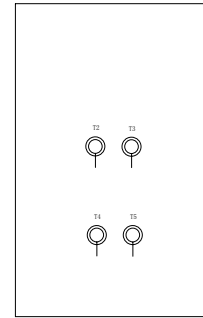
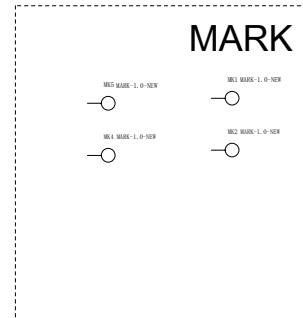
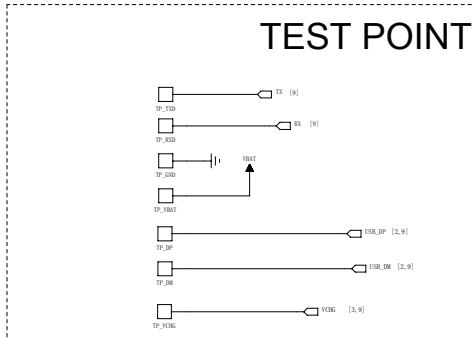
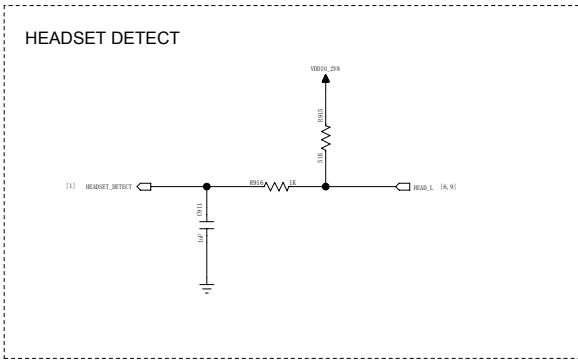


COMPANY: Freecom

TITLE: <Title>

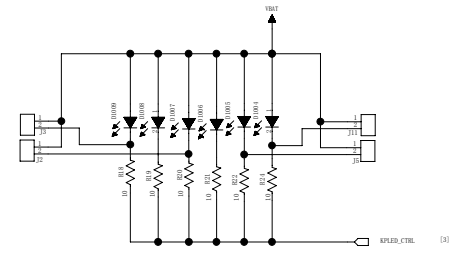
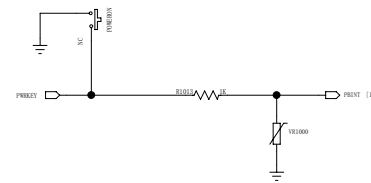
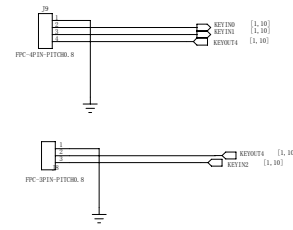
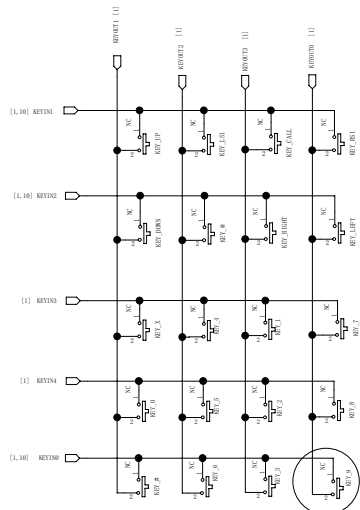
DESIGN: <Drawn By>	DATE: <Drawn Date>				
CHECKED: <Checked By>	DATE: <Checked Date>	CODE: <Code>	SIZE: A1	DRAWING NO: <Drawing Number>	REV: V1.0
QUALITY CONTROL: <QC By>	DATE: <QC Date>				
RELEASED: <Released By>	DATE: <Release Date>	SCALE: <Scale>	SHEET: 8 of 11		

REVISION RECORD			
REV	REV NO.	APPROVED:	DATE:



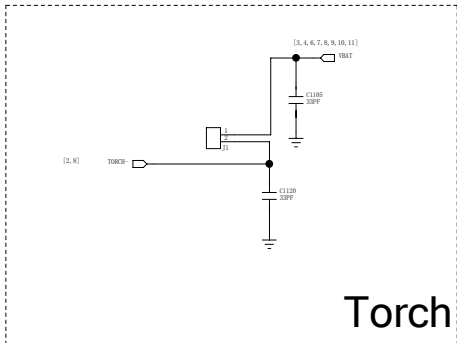
DESIGN: <Drawn By>		DATE: <Drawn Date>		COMPANY: Freecom			
CHECKED: <Checked By>		DATE: <Checked Date>		TITLE: <Title>			
QUALITY CONTROL: <QC By>	DATE: <QC Date>	CODE: <Code>	SIZE: A1	DRAWING NO: <Drawing Number>	REV: V1.0	SHEET: 9 of 11	
RELEASED: <Released By>	DATE: <Release Date>	SCALE: <Scale>					

REVISION RECORD			
REV	REV NO.	APPROVED:	DATE:

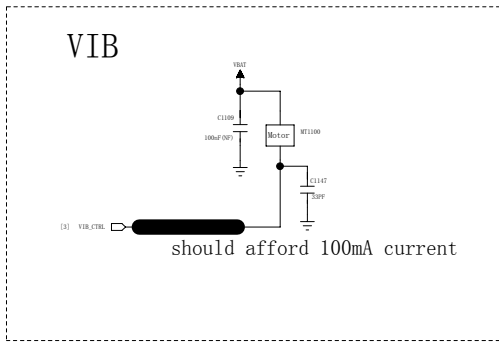


DRAWN: <Drawn By>		DATE: <Drawn Date>		COMPANY: Freecom			
CHECKED: <Checked By>		DATE: <Checked Date>		TITLE: <Title>			
QUALITY CONTROL: <QC By>		DATE: <QC Date>		CODE: <Code>	SIZE: A1	DRAWING NO: <Drawing Number>	REV: v1.0
RELEASED: <Released By>		DATE: <Release Date>		SCALE: <Scale>		SHEET: 10 of 11	

REVISION RECORD			
REV	REV No.	APPROVED:	DATE:

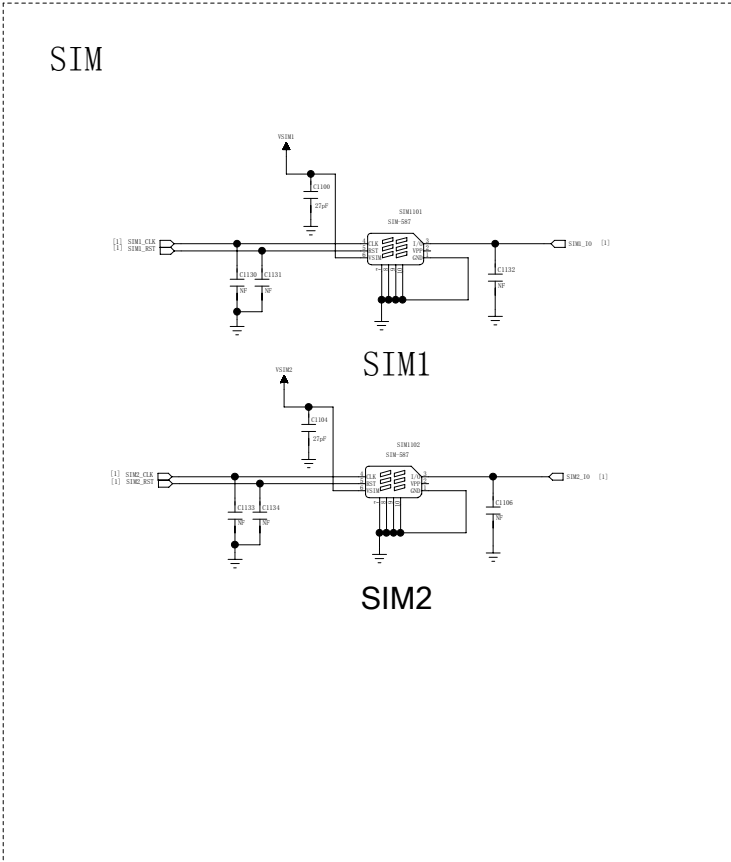


Torch



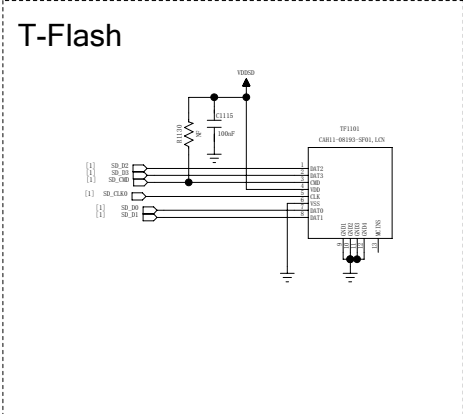
VIB

should afford 100mA current



SIM1

SIM2



T-Flash

COMPANY:		Freecom			
TITLE:		<Title>			
DESIGN:	<Drawn By>	DATE:	<Drawn Date>		
CHECKED:	<Checked By>	DATE:	<Checked Date>	CODE:	
QUALITY CONTROL:	<QC By>	DATE:	<QC Date>	SIZE:	
RELEASED:	<Released By>	DATE:	<Release Date>	DRAWING NO.:	
SCALE: <Scale>				REV.:	
				SHEET:	11r 11

AI <Drawing Number> V1.0