



Form No.: QF-1274

Edition: 2

ISO9001 & ISO14001 & TS16949 CHILISIN ELECTRONICS CORP.

SPECIFICATION FOR APPROVAL

Customer : \_\_\_\_\_

Customer P/N : \_\_\_\_\_

Drawing No : \_\_\_\_\_

WPC TX Type : A11(磁心破L槽版本)

Quantity : 0 Pcs. Date : 2021/7/6

Chilisin P/N : BTWW00505024TXB011

SPECIFICATION ACCEPTED BY:	
COMPONENT ENGINEER	
ELECTRICAL ENGINEER	
MECHANICAL ENGINEER	
APPROVED	
REJECTED	

奇力新電子股份有限公司  
Chilisin Electronics Corp  
No. 29, Alley 301, Tehhsin Rd.,  
Hukou, Hsinchu 303, Taiwan  
TEL : +886-3- 599-2646  
FAX : +886-3- 599-9176  
E-mail : sales@chilisin.com  
http : //www.chilisin.com

東莞奇力新電子(東莞廠)有限公司  
Chilisin Electronics (Dongguan) Co., Ltd.  
No. 78, Puxing Rd., Yuliangwei  
Administration Area, Qingxi Town,  
Dongguan City, Guangdong, China  
TEL : +86-769-8773-0251~3  
FAX : +86-769-8773-0232  
E-mail : cect@chilisin.com

奇力新電子(越南廠)有限公司  
Chilisin Electronics (Vietnam) Limited  
No 143 - 145, Road No 10, VSIP Hai  
Phong, Lap Le Commune, Thuy Nguyen  
Dist, Haiphong City, Vietnam  
Tel : 84-316 255 688 Fax : 84-316 255  
689

奇力新電子(湖南廠)有限公司  
HuNan Chilisin Electronics Technology Co.,  
Ltd  
No. 8, Shaziao Liangshuijing Town,  
Yuanling County, Huaihua City, Hunan  
Province 419601, China  
Tel : 86-745-867-5882

Drawn by	Checked by	Approved by
Ice	Tank Hsu	Eden Hsu

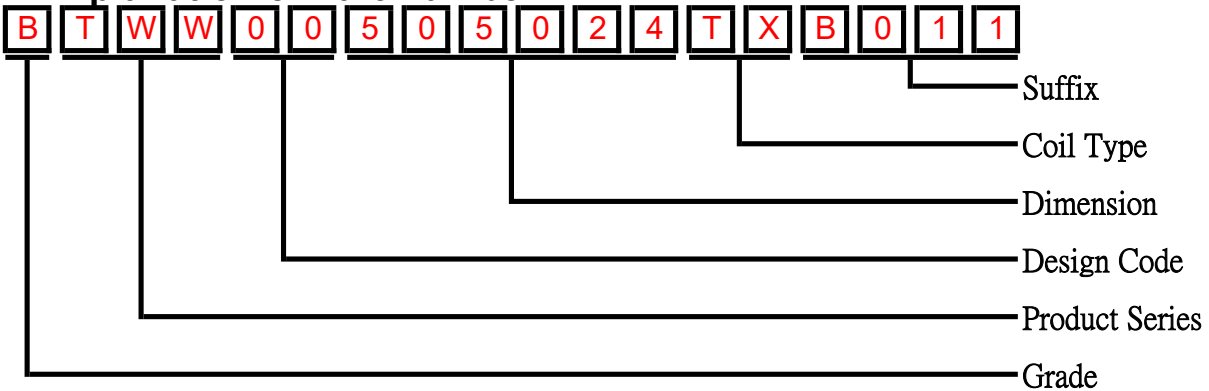




# WPC COIL Series Specification

**1.Scope :** This specification applies to Wireless charging coil.

**2.Explanation of Part Number :**

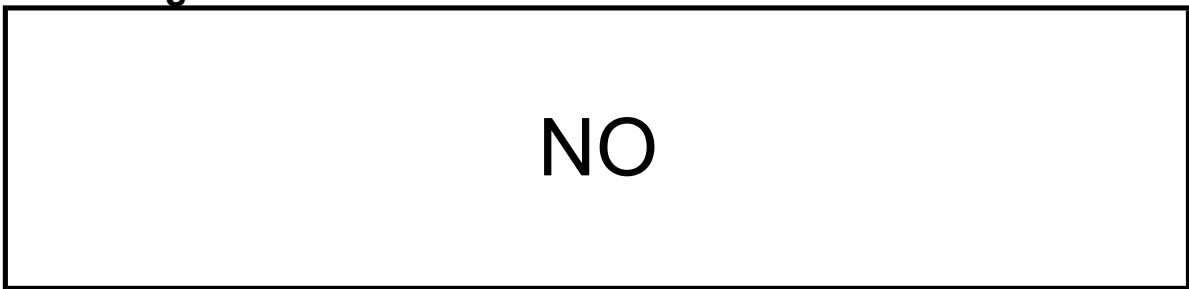


- Grade : A(Automotive) , B(General )
- Product Series : TWW(Wirewound WPC Antenna)
- Design Code : Follow the Custermer's setting, default value is 00
- Dimension : Dimension info ,length, width and height 2 number for each, total 6 number
- Coil Type : TX(Transmission) , RX(Reception)
- Suffix : Serials number

**3.Rating :**

Operating Temperature : -20°C~85°C(Including self - temperature rise)  
 Storage Temperature : -20°C~85°C 、 50% RH max.

**4.Marking :**

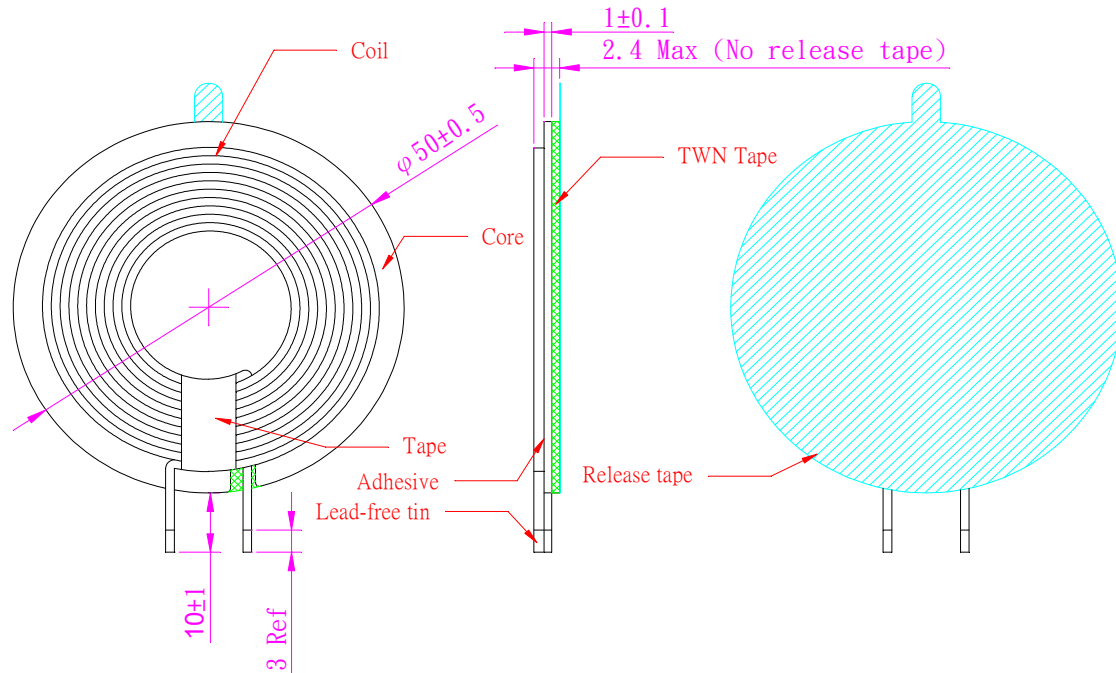


**5.Standard Testing Condition :**

	Unless otherwise spectified	In case of doube
Temperature	Ordinary Temperature(15°C to 35°C)	20°C to 30°C
Humidity	Ordinary Humidity(25% to 70% RH)	50% to 70% RH

# Wireless Charging Coil Specification

## 6.Configuration and Dimensions (mm) :



## 7.Electrical Characteristics :

Test Item	Specification	Test Condition
Inductance	6.3uH $\pm$ 10%	100KHz · 1V
Q	80 Ref	
DCR	45m $\Omega$ Max	@25°C

REMARK :

## 8.Material List :

NO.	Part	Material
1	Coil	USTC Wire (155°C or Equivalent)
2	Lead-free tin	M20E(Sn99.3% Cu0.7%) or Equivalent
3	Core	Mn-Zn PC95 ( $\phi 50$ mm*1.0mm)
4	TWN Tape	Double side tape
5	ADHESIVE	ADHESIVE
6	TAPE	Insulating tapes