

Micom Pathfinder HF-SSB Manpack Transceiver

Transmit Frequency Range	1.6 to 30 MHz in 10-Hz steps
Receive Frequency Range	0.1 to 30 MHz in 10-Hz steps (0.1 to 1.6 MHz reduced performance)
Transmit Power	5, 10, 15, 25 W P.E.P and average
RF Impedance (antenna)	- 50Ω for dipole and broadband - Internal automatic tuner for whip
Number of RF Channels	200 simplex or half duplex
Scanning	5 groups of 100 channels, guard channel
ALE	MIL-STD-188-141B, JITC certified
Modes of Operation	USB, LSB, PILOT, AME
Services	- Analog voice - Digital voice (vocoder option) - 50 - 4800 bps (internal modem option) - COMSEC (option for vocoder and modem)
Data, Remote Control	RS-232C
GPS Receiver (option)	Location, movement and time
Power Source	FRN8577 Rechargeable Lithium-Ion Battery
Battery Charger, FRN8570B	
AC Input Voltage	100 to 240 VAC, 50/60 Hz
Operation Mode	Fully automatic
Charging Termination	CC/CV voltage point

CAUTION!

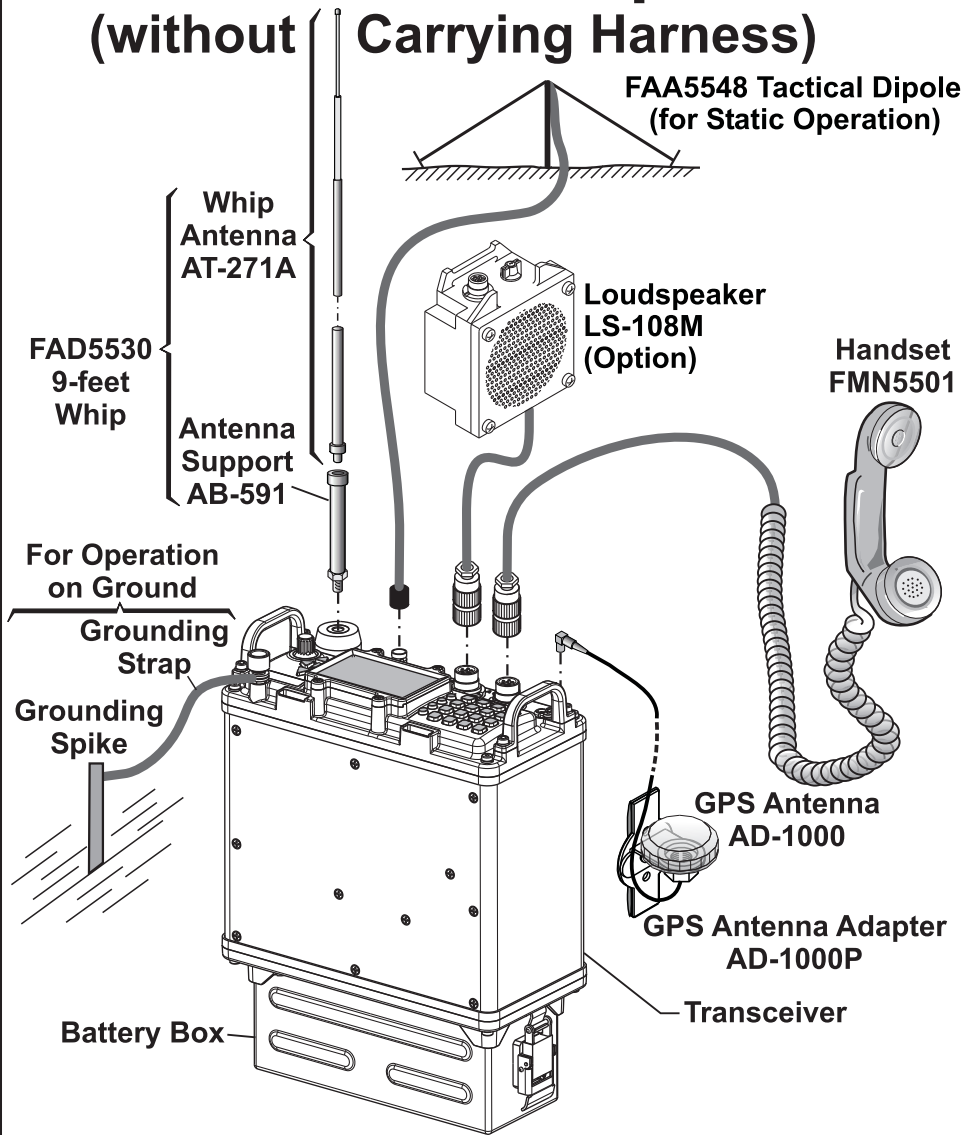
Do not transmit with radio on your back.
Place radio on ground before starting
transmit/receive communication.

LF-E 2072-09286-00 Rev. C

D01

This Print 100%, Final Reduction: 70%

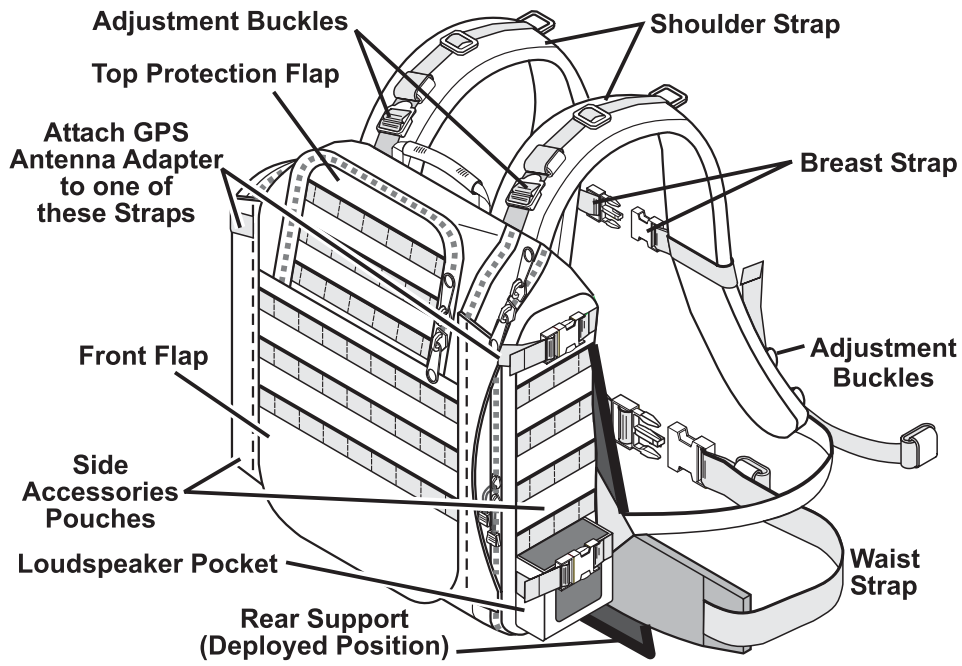
Main Radio Components (without Carrying Harness)



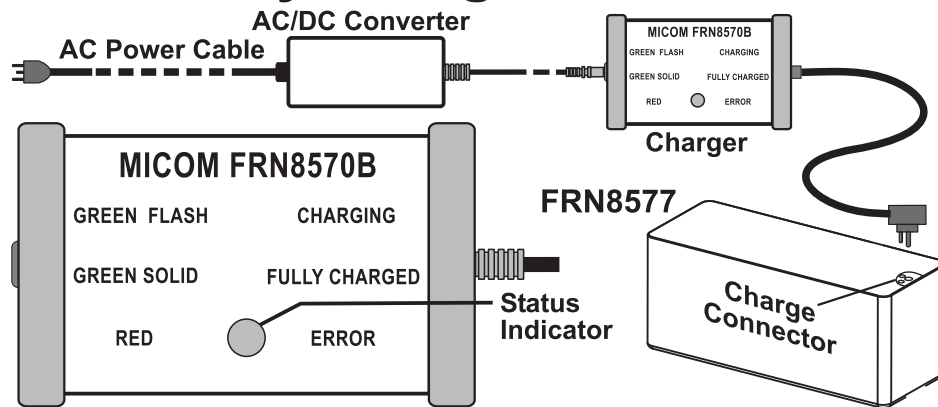
D02

This Print 100%, Final Reduction: 70%

Carrying Harness



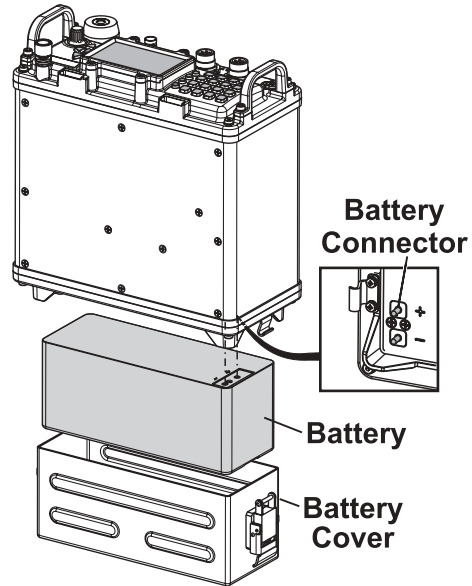
Battery Charger FRN8570B



D03

This Print 100%, Final Reduction: 70%

Battery Installation

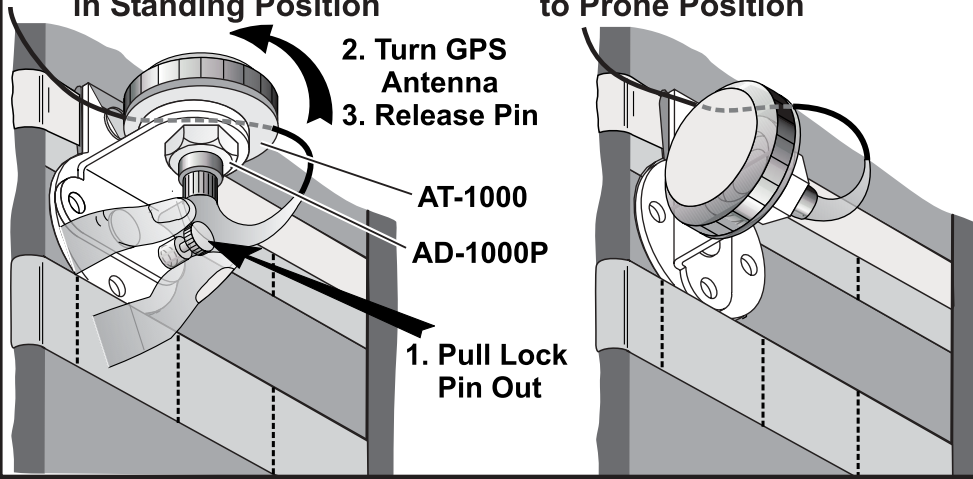


GPS Antenna

Always direct GPS antenna toward sky

1. GPS Antenna in Standing Position

2. GPS Antenna after Rotation to Prone Position



D04

This Print 100%, Final Reduction: 70%

Radio Panel

ON/OFF & Volume Control
Turns radio on and off and controls the speaker volume

AUDIO Connectors
Connectors for external speaker and handset

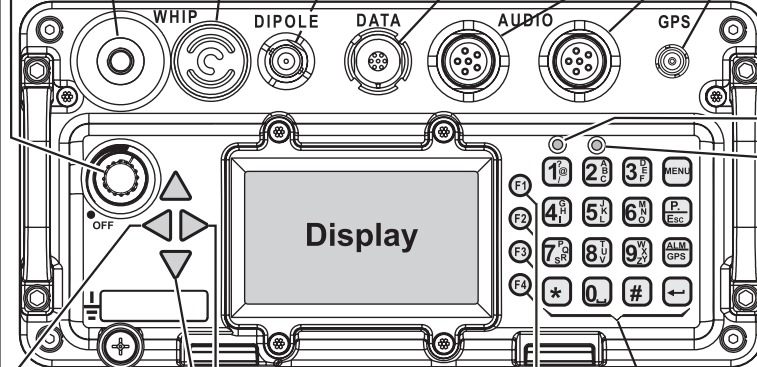
WHIP Connector
(for FAD5530)

DIPOLE Connector
(for FAA5548)

Internal Speaker

DATA Connector

Connector for GPS Antenna



Not used
Tx Indicator
Lights when radio is transmitting

Grounding Post

MORE Key

Displays additional menu options when ◀ appears in the display. Also moves cursor to the right

Function Keys

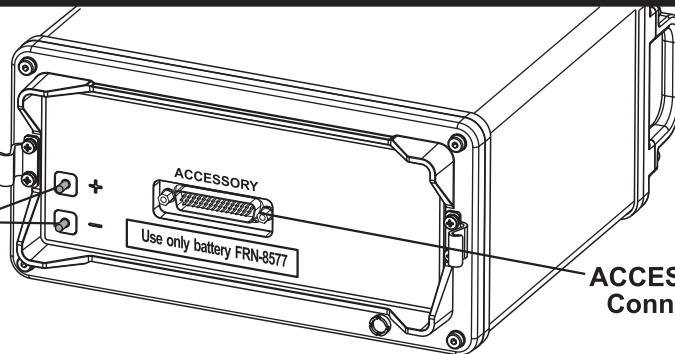
Activates the function or selects the option displayed next to each key

Move cursor to the left

Up/Down Scrolling Keys

Rear Panel

Battery Connector



ACCESSORY Connector

D05

This Print 100%, Final Reduction: 70%

Display Functions

You can scroll for more options

Mode Indicator — CH 6
Current Frequency — F 16,000.00
Indicator Area — IATU, NF, USB, AGC, SQ, BW3.3, NB, CLAR, BW

Indicator	Meaning
USB, LSB	Sideband
SQ	Squelch
MON	ALE link monitor
AGC	AGC is OFF or FAST or SLOW
BW	User-selected bandwidth
NB	Noise blanker
CLAR	Clarifier
NF	Notch filter
IATU	Internal ATU (always needed with whip antenna)
EATU	Dipole antenna, or external ATU

Options

Level Indication

TX Full power (25W)
 Actual power
 Low power
 Reflected power bar

RX
 Strong signal
 Weak signal

Using the Keypad

To Enter a ...	Press key ...	
Digit	Press once	
Letter	Press several times	
Blank space	0 twice	
Decimal point	*	
Wild-card (? or @)	* (ALE only)	
Ampersand (@)	# twice	

MENU Key
Displays the main menu

ESC Key
Cancels last action and reverts to the previous screen

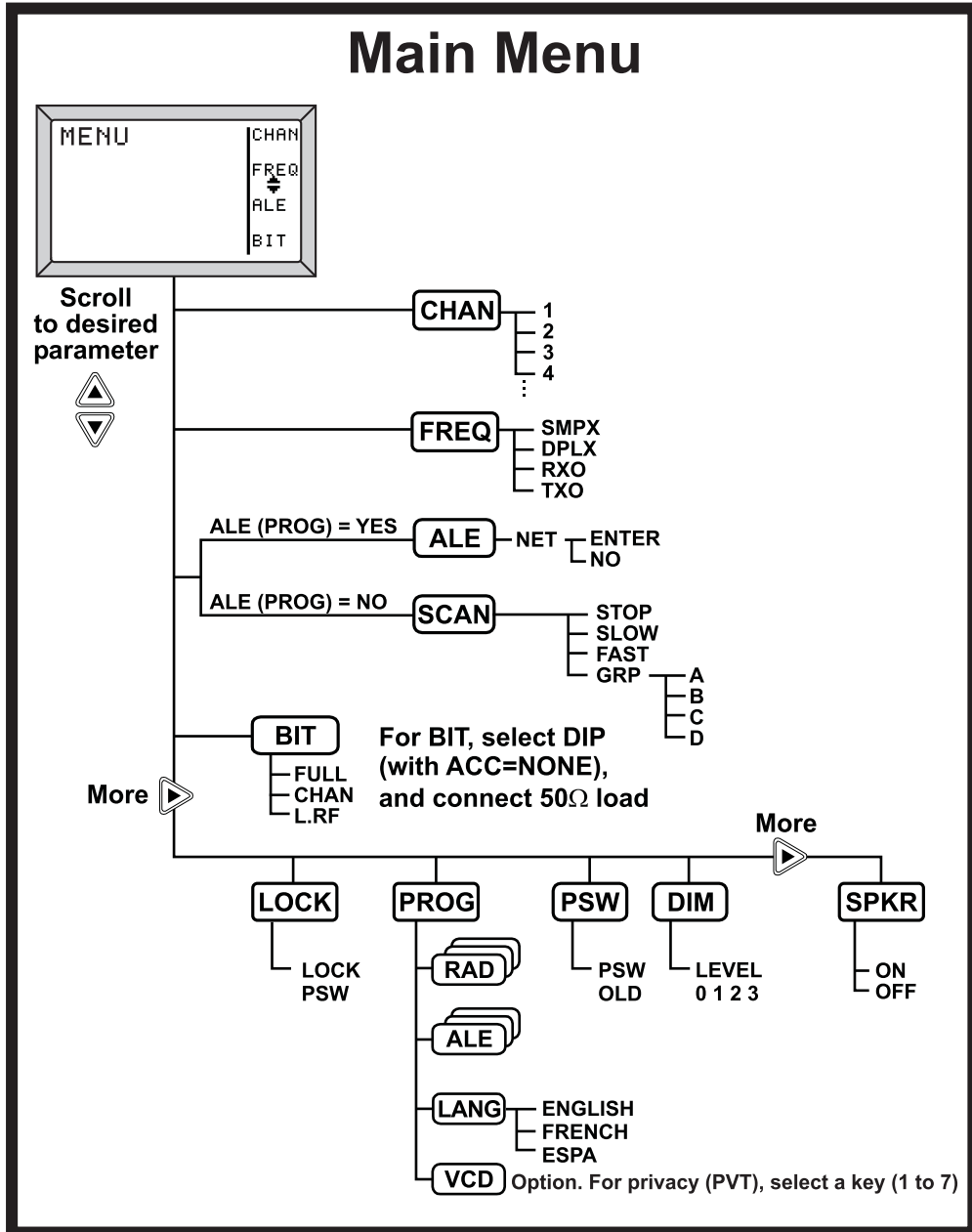
ENTER Key
Saves selection and/or value

Not used

D06

This Print 100%, Final Reduction: 70%

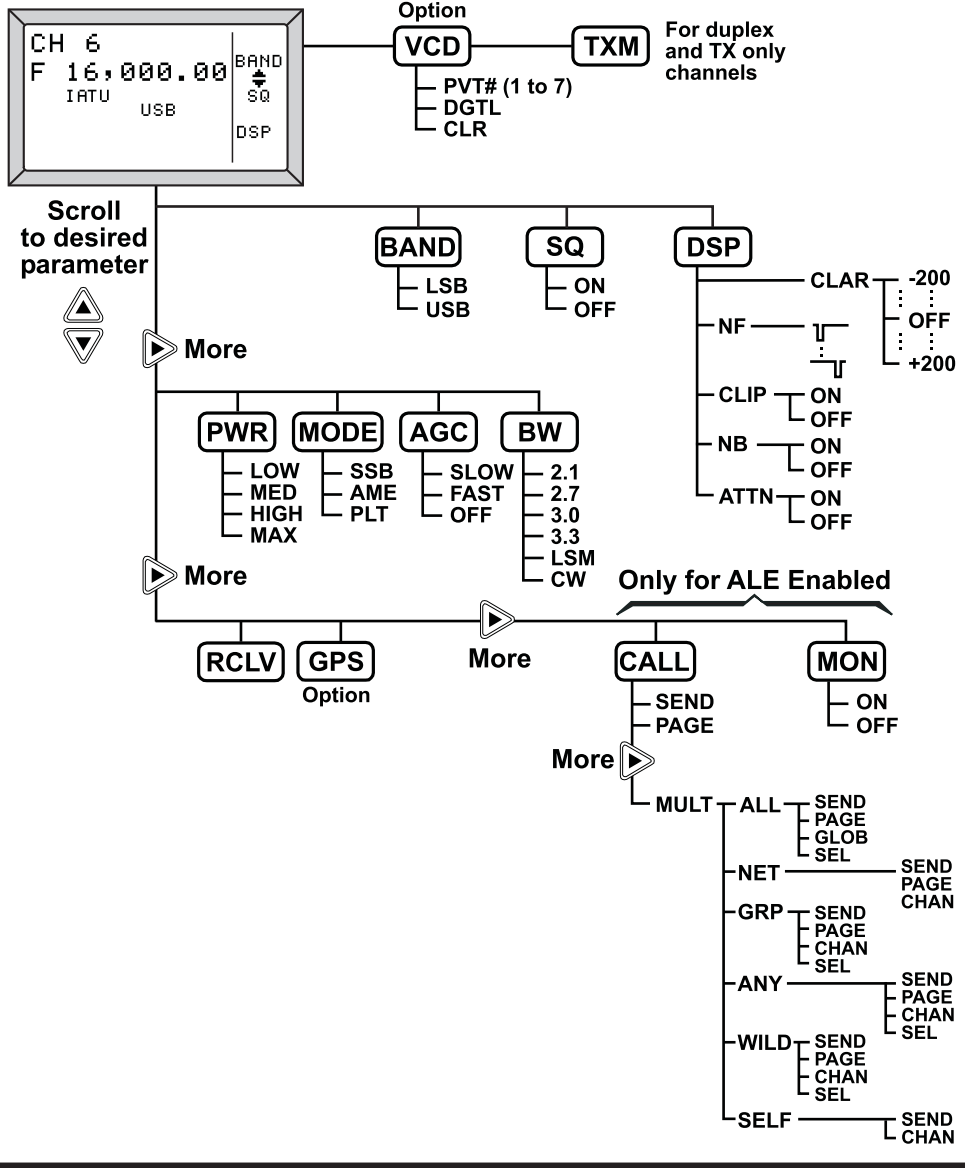
Main Menu



D07

This Print 100%, Final Reduction: 70%

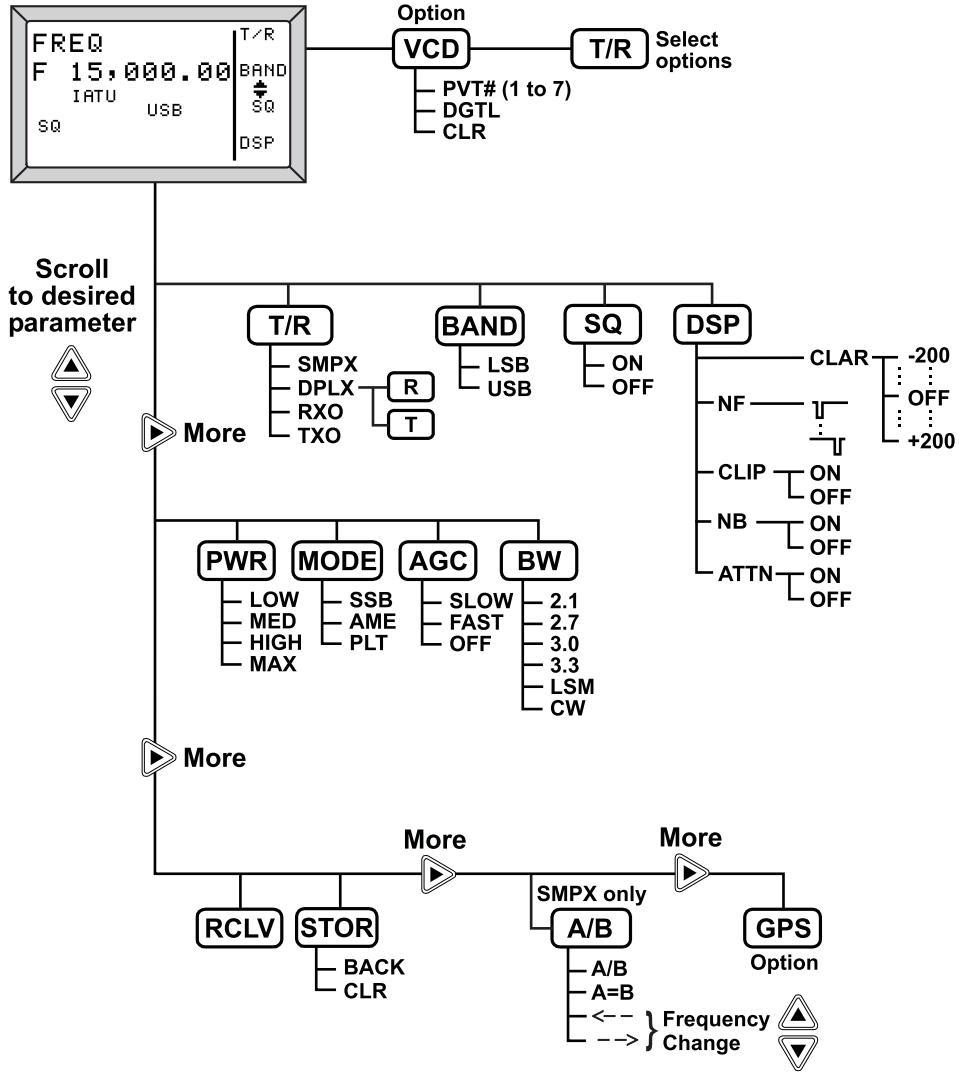
Channel (CH) Menu



D08

This Print 100%, Final Reduction: 70%

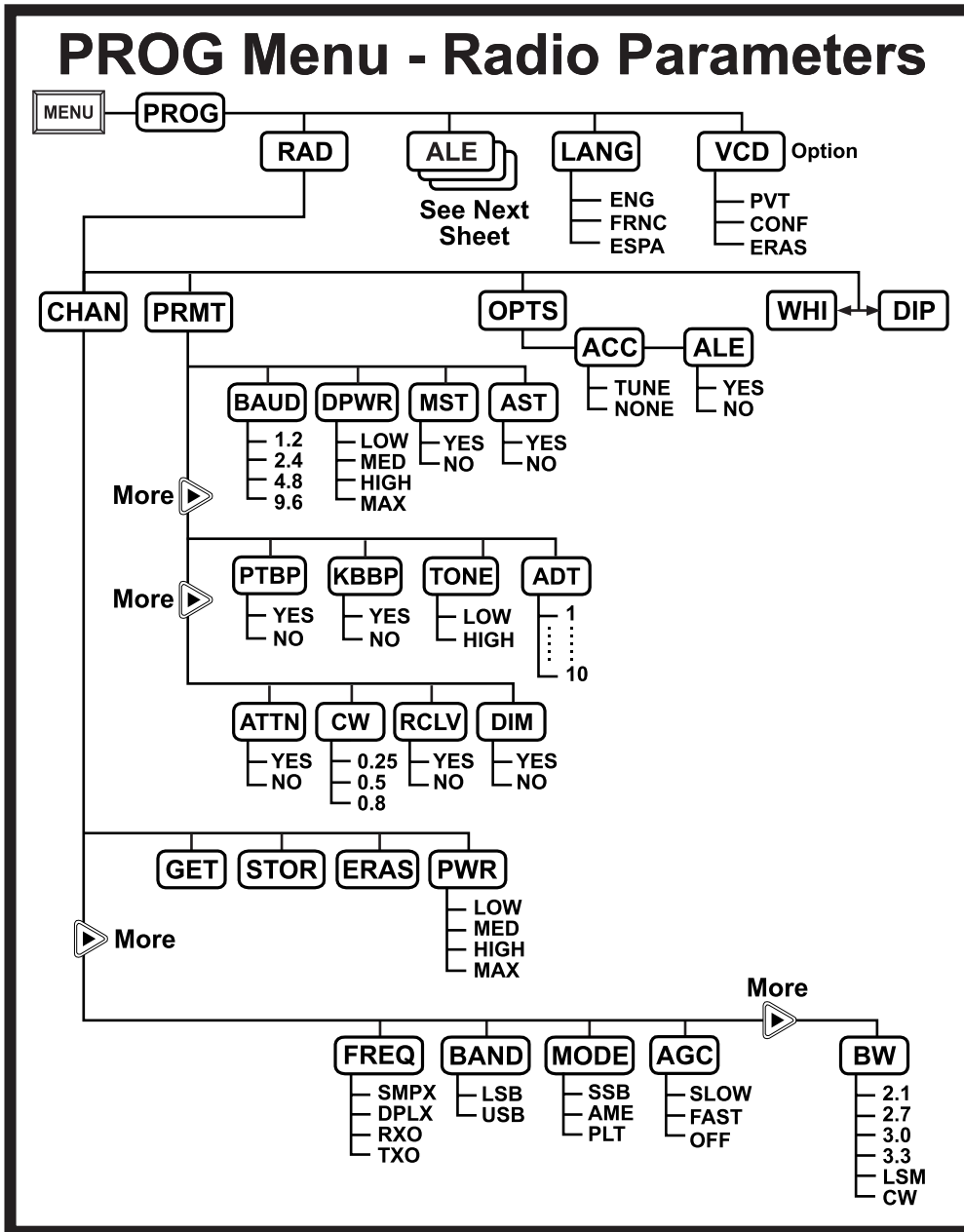
Frequency (FREQ) Menu



D09

This Print 100%, Final Reduction: 70%

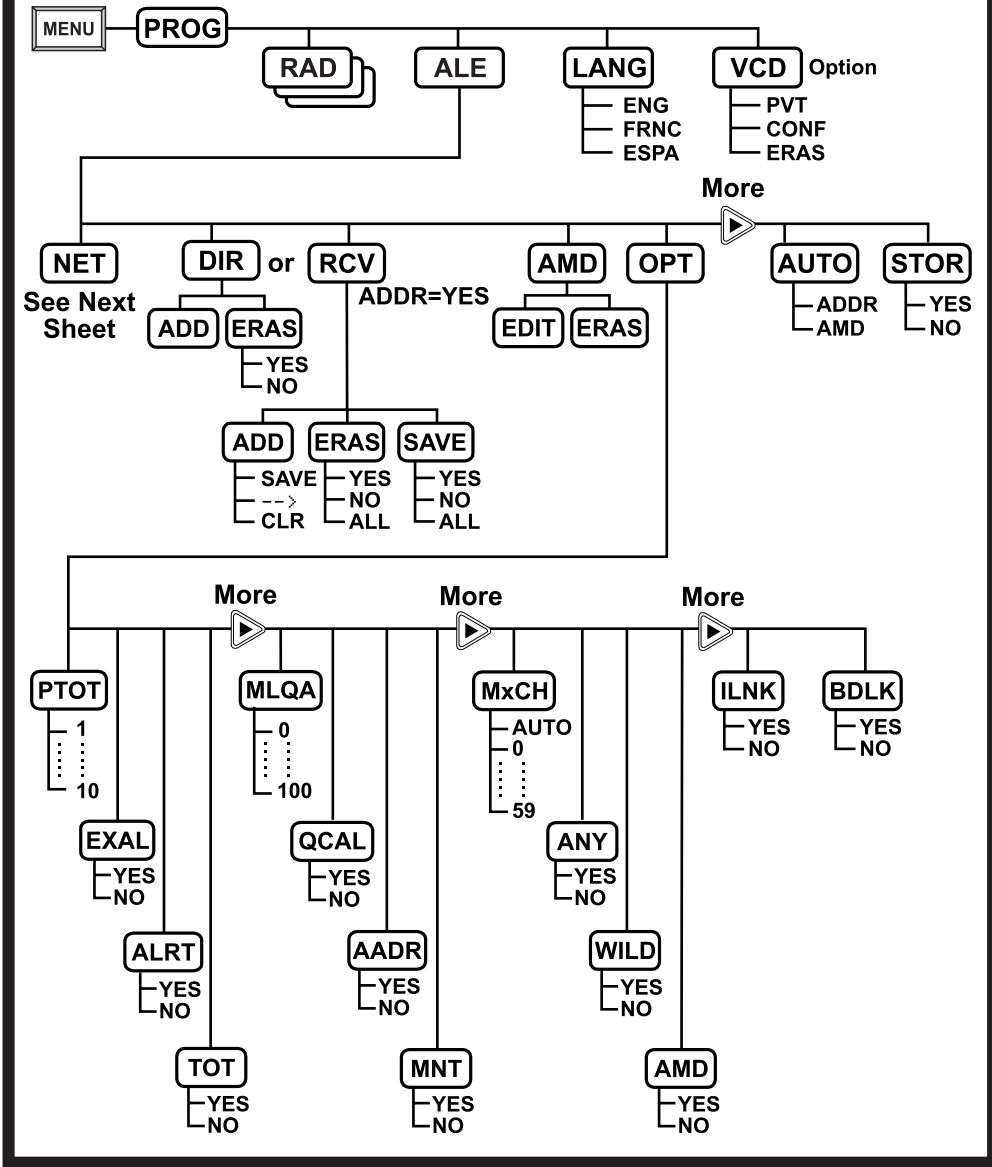
PROG Menu - Radio Parameters



D10

This Print 100%, Final Reduction: 70%

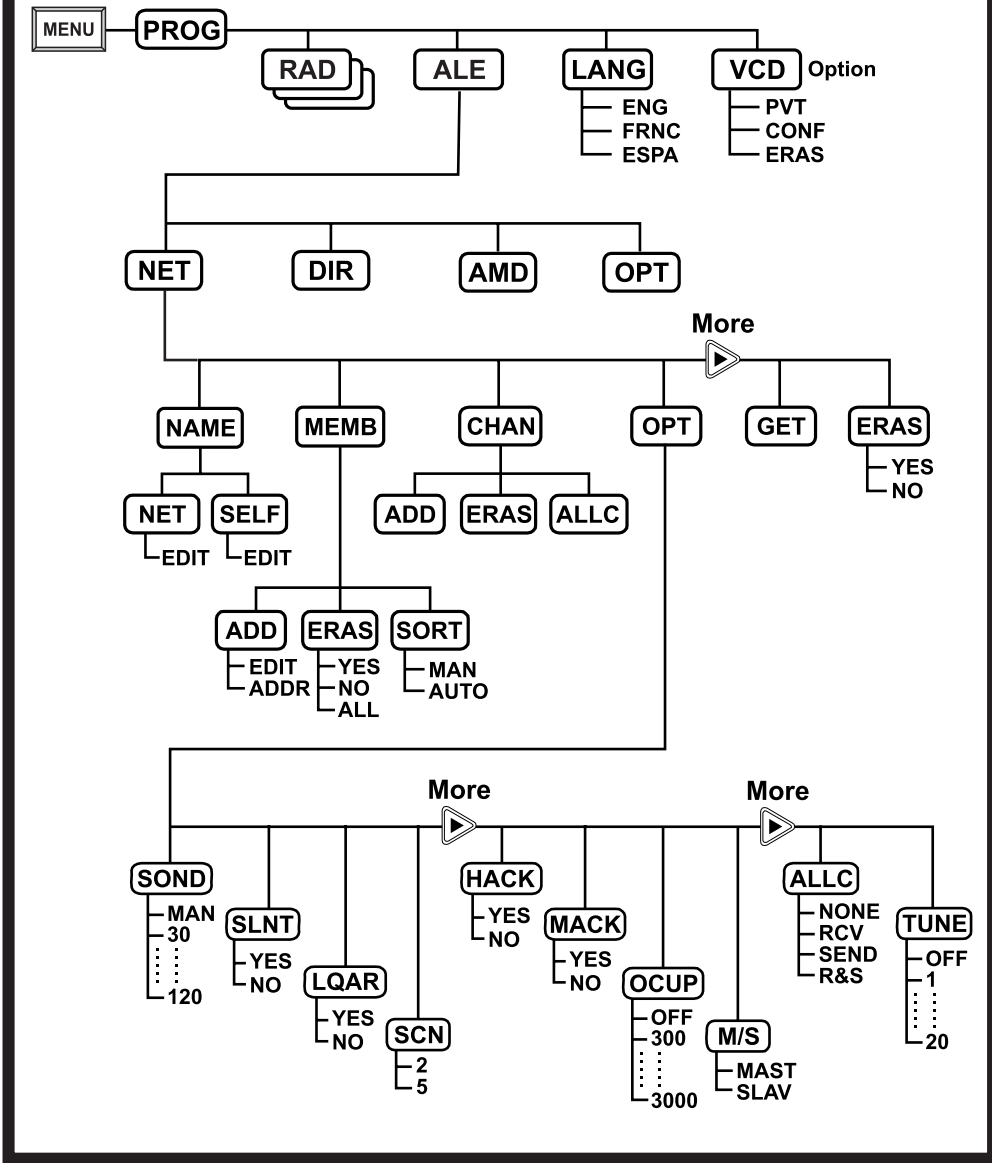
PROG Menu - ALE Parameters



D11

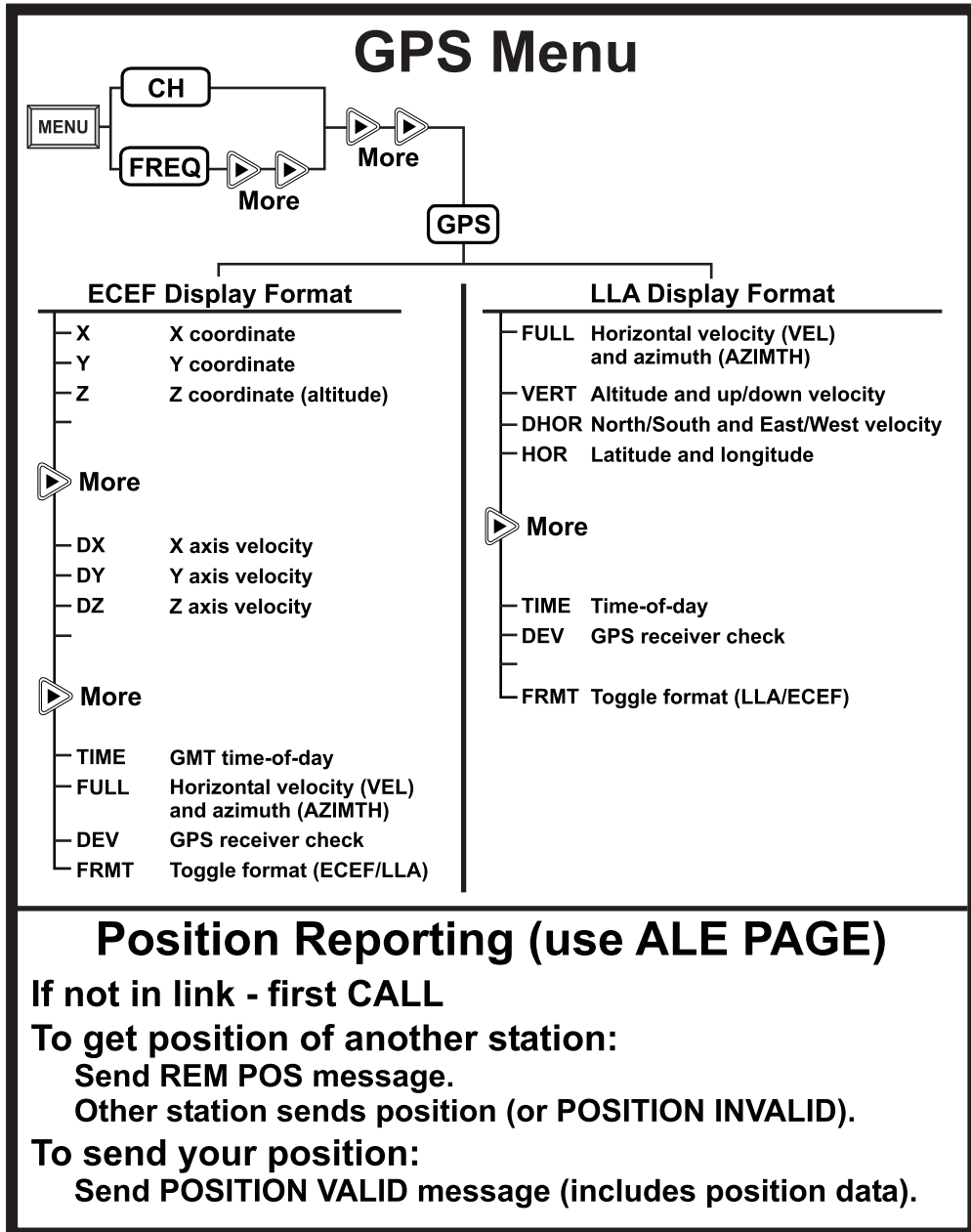
This Print 100%, Final Reduction: 70%

PROG Menu - ALE NET Parameters



D12

This Print 100%, Final Reduction: 70%

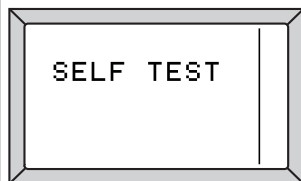


Turn-On

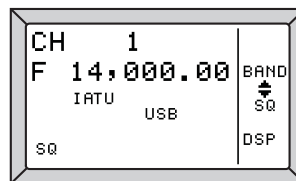
1. Turn on



2. Self test



3. After self test:
last operating mode



Adjust brightness using MENU>CHAN>MORE>DIM

Preliminary Settings

Internal Speaker
ON/OFF

MENU>MORE>MORE>SPKR



To use external speaker,
select SPEAKER OFF

Select Antenna Type

MENU>MORE>PROG>RAD> [WHI
DIP



Press F4 to toggle
between WHI and DIP

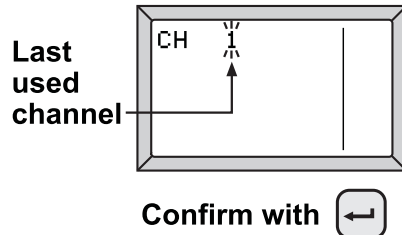
MENU>MORE>PROG>ACC>TUNE:
WHI - Automatically ON
DIP - NONE. You can turn ON

Internal Vocoder/Modem (Optional)

For Privacy: On PROG>VCD>PVT select key (1 to 7).
Press PTT and wait for two beeps before
talking (no sidetone).

Channel (CH) Mode (also in ALE)

1. Select CHAN on MENU



2. To change channel:

Type number or scroll  .

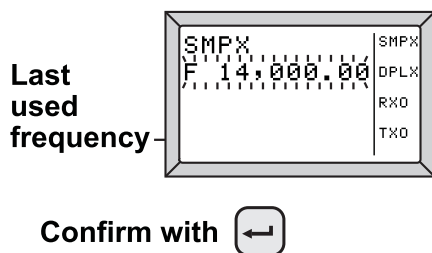
To select the priority channel (SCAN): .

Confirm with .

NOT PROG - channel not yet programmed

Frequency (FREQ) Mode (not in ALE)

1. Select FREQ on MENU




2. To change current frequency and/or mode:

Press  to display T/R.



Type new frequency or scroll digits.

Confirm with .

3. To store frequency in a channel:

Press  , and then press STOR (F2)

SCAN Mode (not in ALE)

1. Select SCAN (F3) on MENU

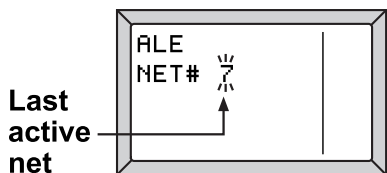
2. Select scan group.

Confirm with .

NO SCAN GROUPS - no scan group is programmed

ALE Mode

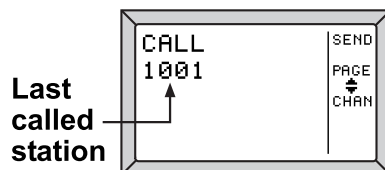
1. Select ALE on MENU



Confirm with

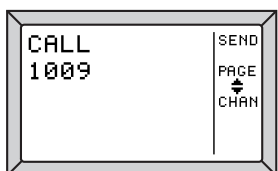
2. To change current net:

Type number or scroll .
Confirm with .



To call a station:

1. Type number or scroll .

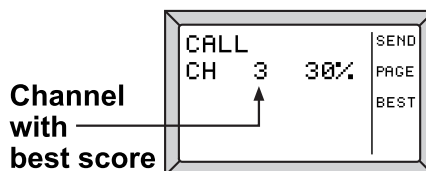


2. Confirm with .

3. Select SEND or to setup link

To call on a specific channel:

1. Select CHAN.



2. Select BEST or scroll .

3. Select SEND or to setup link

To call last called station: press PTT twice

To send an AMD message:

1. Select PAGE.

2. Scroll to message, or EDIT.

3. To send: SEND or

To disconnect LINK: press