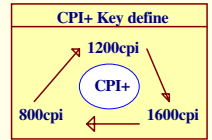


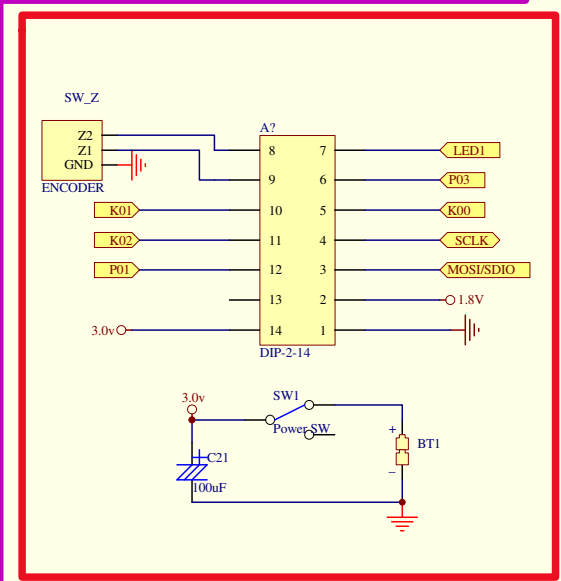
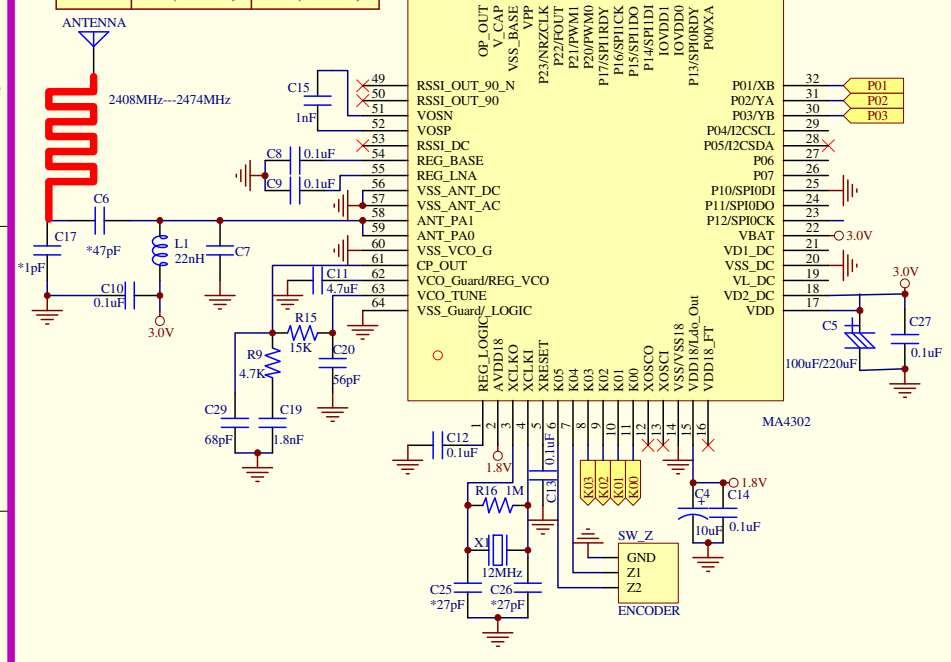
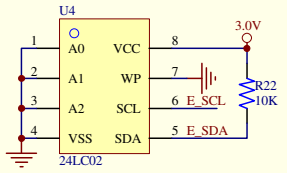
Sensor PAN3204 **Angle select

JR1=NC	JR1=0R
JR2=NC	JR2=0R
0(PAN-S)	180(PAN-S)
JR2=0R	JR2=0R
-90(PAN-S)	+90(PAN-S)



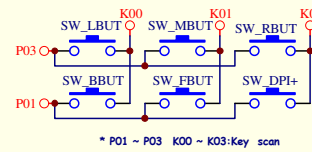
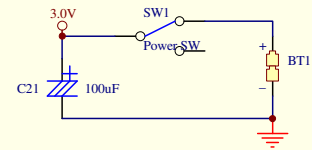
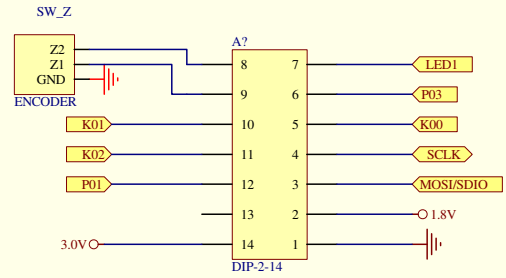
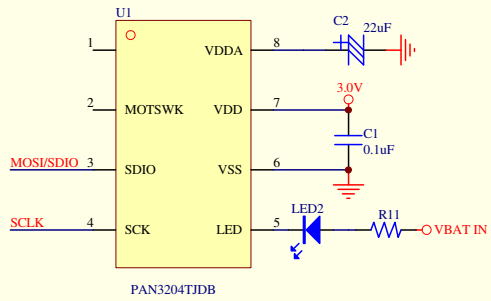
Sensor Select

U1	JR5	R1
PAN3204	NC	36K
PAN3204L	0R	36K
PAN3204LL	0R	NC
PAN3204VL	NC	NC



Revision V1.0	
sheet 1 of 1	
Date: 2012/03/30	Drawn By: Osan

Sensor PAN3204 **Angle select		
	JR1=NC	JR1=0R
JR2=NC	 0(PAN-S)	 180(PAN-S)
JR2=0R	 -90(PAN-S)	 +90(PAN-S)



Revision V1.0	
sheet 1 of 1	
Date: 2012/03/30	Drawn By: Osan