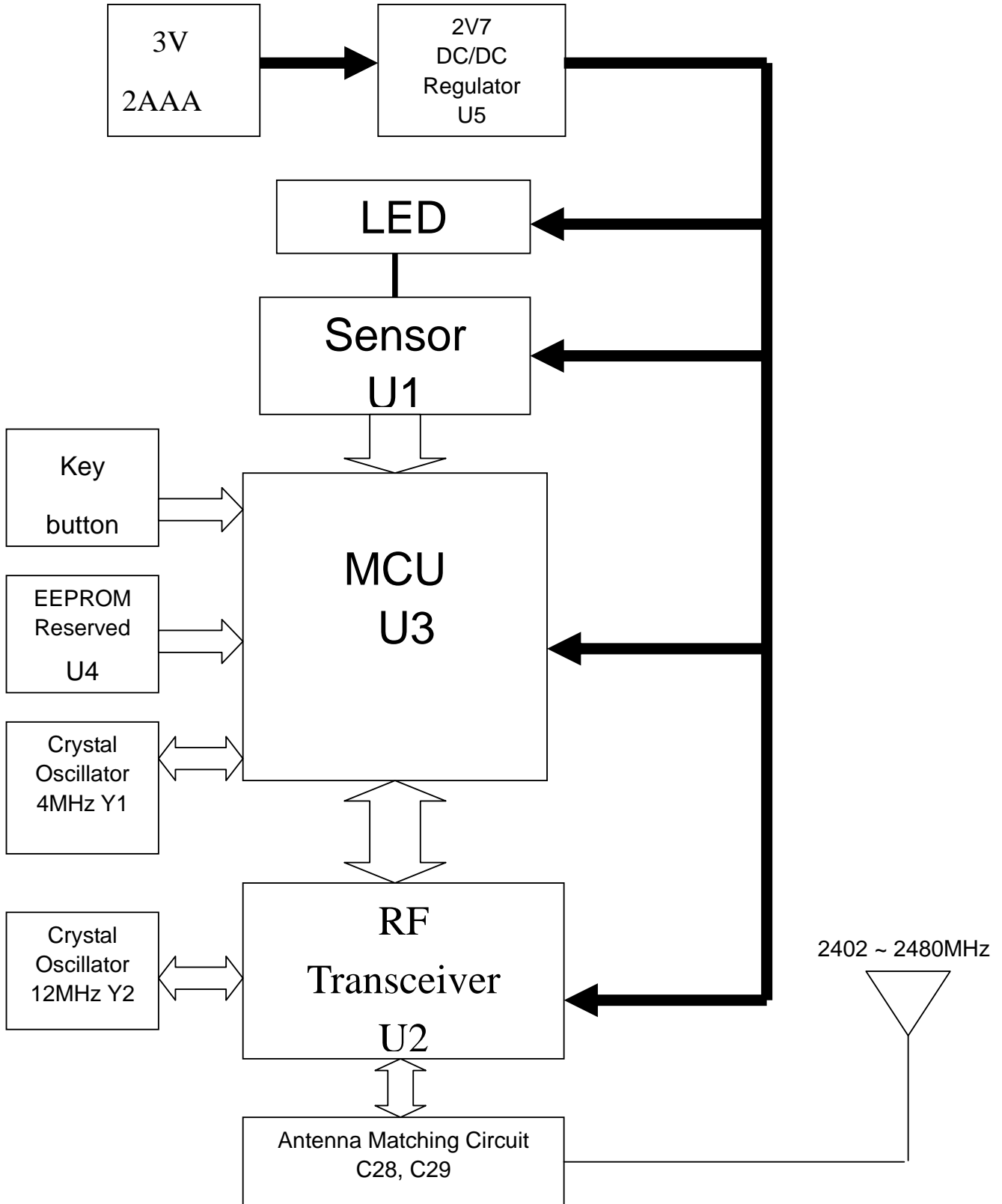


Block Diagram

FCC ID: YNIJAZWARES15295



2.4GHz RF Module Block Diagram

