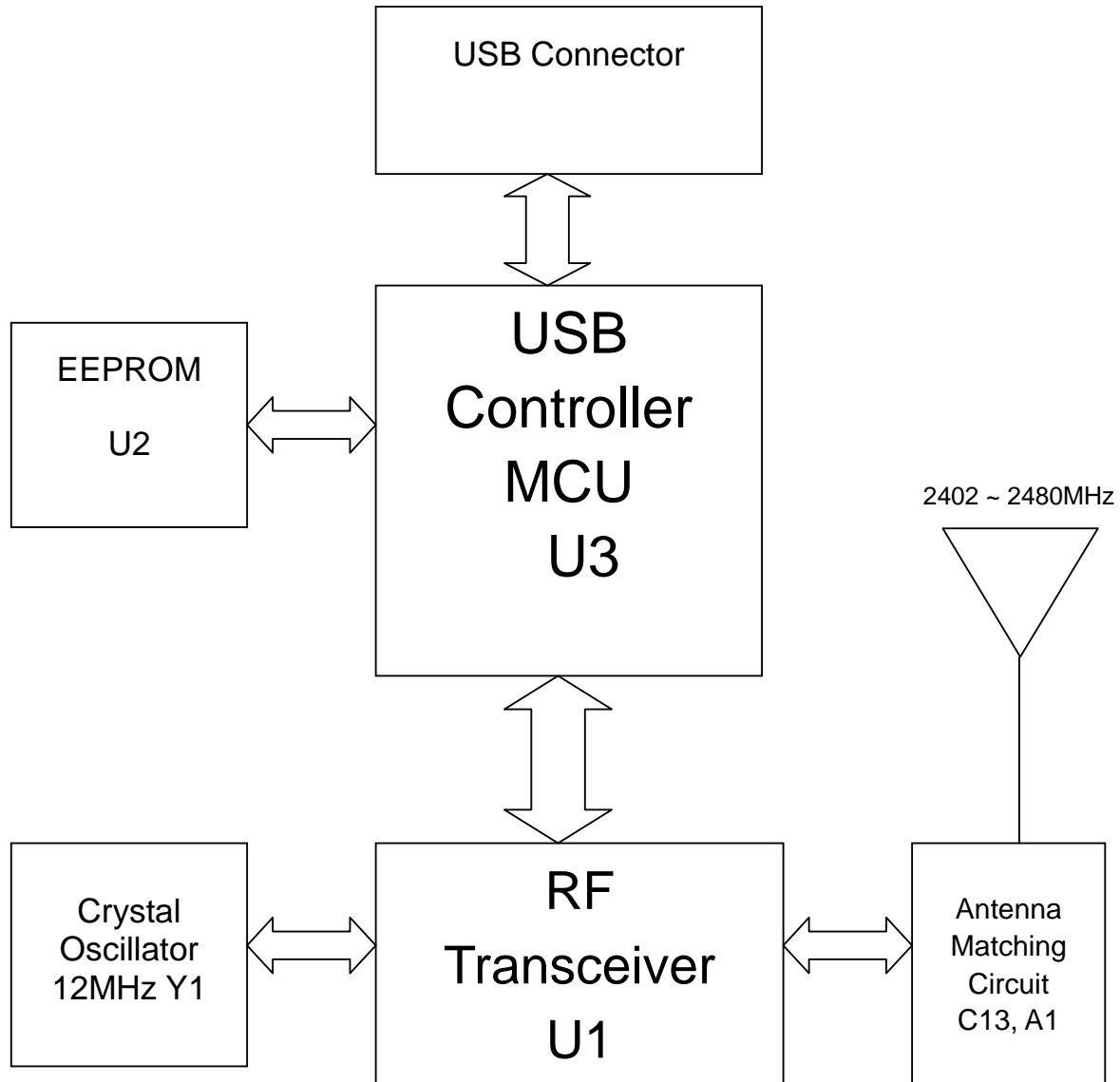


# Block Diagram

FCC ID: YNIJAZWARES13595A



# 2.4GHz RF Module Block Diagram

