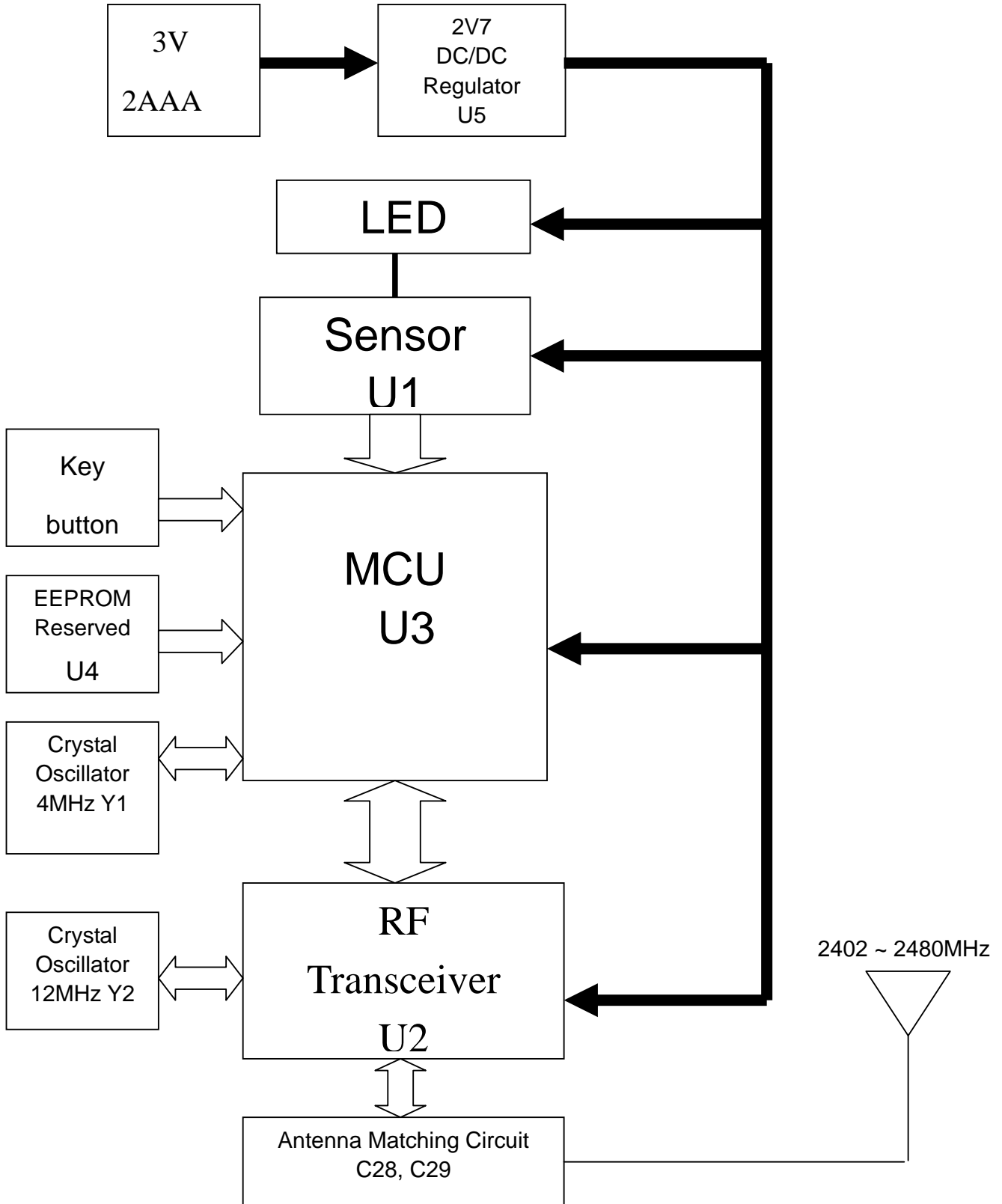


# Block Diagram

FCC ID: YNIJAZWARES13595



# 2.4GHz RF Module Block Diagram

