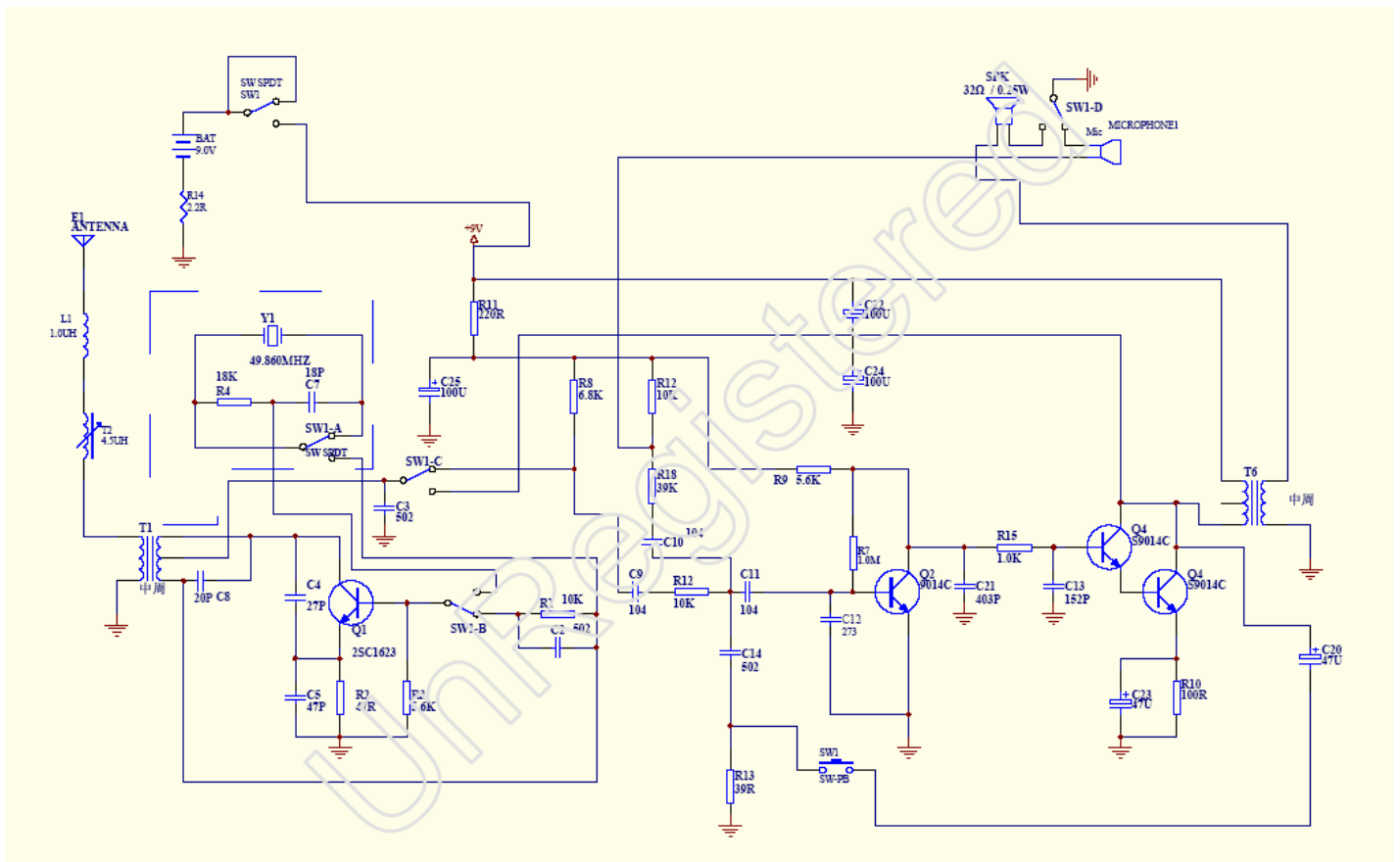


WWE WALKIE TALKIE circuit describe



First, in this circuit, when the switch in the middle as shown location, says in Q1, receiving state, T1, C4, C5, C8 etc ChaoZaiSheng detection circuit, this time, from the antenna above received signals, through Q1 T1, coupled to the audio signal after, detection by C9, R6, C11 coupled to Q2, via Q2, percentile, Q4 is prevented amplification push big speaker pronunciation.

Second, when the switch in the opposite position as shown in the launch, said state, pick up the head voice, clomipramine R18, 10, C11 coupled to Q2, via Q2, sound amplification percentile, Q4 is prevented, then coupled to the Q1.

To mix with modulation, through a emitted by the antenna (T1 Q1, T1, C4, C5,

C8, SanDianShi Y1 composition capacitance oscillating frequency resonant,
stand at 49.860 MHZ).

地址：中國 廣東省中山市三鄉鎮平南村金山工業區

Add: Jin Shan Industrial Centre, Ping Nan, San Xiang Town, ZhongShan City, Guangdong, CHINA

Tel: (86)760-86686236 Fax: (86)760-86685229

網址 Web Site:<http://www.winly.cn>

E-mail:winly@pub.zhongshan.gd.cn



Certificate
NO:30383

Declaration:
1064/DC/3

Code:C1710

保密级别：公开