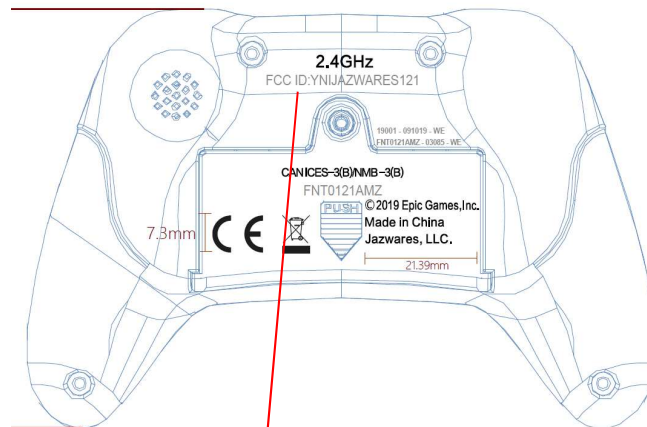
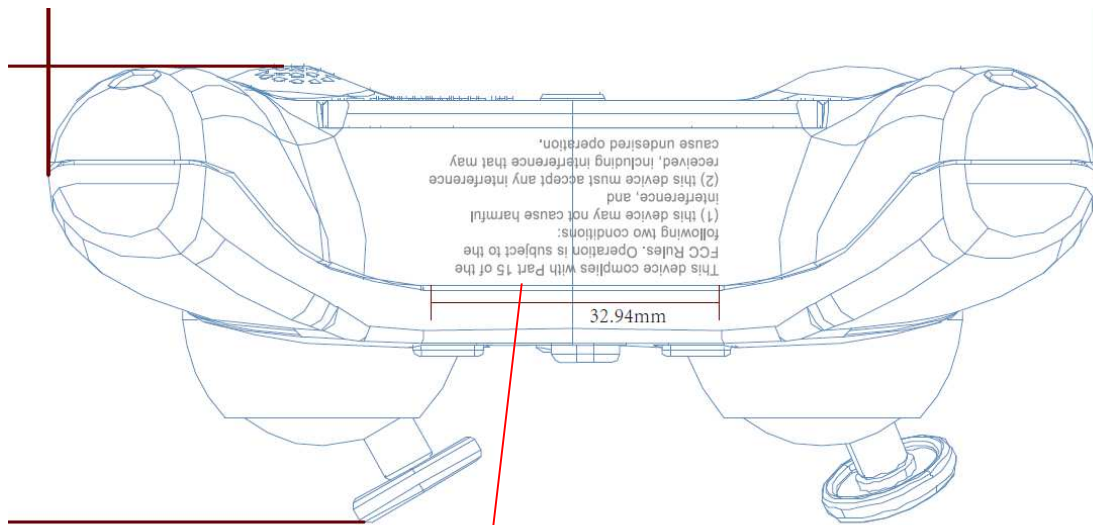


Label Artwork and Location



FCC ID: YNIJAZWARES121

Size: 28.2mm(W) X 1.8mm(H)



This device complies with Part 15 of the
FCC Rules. Operation is subject to the
following two conditions:
(1) this device may not cause harmful
interference, and
(2) this device must accept any interference
received, including interference that may
cause undesired operation.

Size: 32.94mm(W) X 15.5mm(H)