

NOTES:

IMPORTANT:
Please save this instruction sheet.
It contains valuable product information.

FCC Warning:

Warning: Changes or modifications to this unit not expressly approved by the party responsible for compliance could void the user's authority to operate the equipment.

NOTE:

This equipment has been tested and found to comply with the limits for a Class B digital device, pursuant to Part 15 of the FCC rules.

These limits are designed to provide reasonable protection against harmful interference in a residential installation. This equipment generates, uses and can radiate radio frequency energy and, if not installed and used in accordance with the instructions, may cause harmful interference to radio communications.

However, there is no guarantee that interference will not occur in a particular installation. If this equipment does cause harmful interference to radio or television reception, which can be determined by turning the equipment off and on, the user is encouraged to try to correct the interference by one or more of the following measures:

- Reorient or relocate the receiving antenna.
- Increase the separation between the equipment and receiver.
- Connect the equipment into an outlet on a circuit different from that to which the receiver is connected.
- Consult the dealer or an experience radio/TV technician for help.

Frequency : 49.860MHz
FCC ID : YNIJAZWARES10035

ITEM # 10035 - Barbie Walkie Talkie

Limited Ninety (90) Day Warranty:

WARRANTY COVERAGE

Jazwares, LLC.'s warranty obligation is limited to the terms set forth below.

WHO IS COVERED

Jazwares, LLC. warrants the product to the original purchaser or the person receiving the product as a gift against defects in material & workmanship as based on the date of the original purchase from an authorized dealer or retailer. The original sales receipt showing the product name & the purchase date from an authorized retailer is considered such proof.

WHO IS COVERED

Jazwares, LLC. warranty covers new products if a mechanical defect arises & a valid claim is received within the Ninety (90) Day Warranty Period. At its option, Jazwares, Inc. will either (1) repair the product at no charge, using new or refurbished replacement parts, or (2) exchange the product with a product that is new or which has been manufactured from new, or serviceable used parts & is at least functionally equivalent or most comparable to the original product in Jazwares, Inc.'s inventory.

Jazwares, LLC. warrants replacement products or parts provided under this warranty against defects in materials & workmanship from the date of the replacement or repair for ninety (90) days or for the remaining portion of the original product's warranty, whichever provides longer coverage for you. When a product or part is exchanged, any replacement item becomes your property and the replaced item becomes Jazwares, LLC. property. If a refund is granted, your product becomes Jazwares, LLC. property.

**Replacement product can only be sent if all warranty requirements are met.
Failure to follow all requirements can result in delay.**

WHAT IS NOT COVERED - EXCLUSIONS & LIMITATIONS

The limited warranty applies only to the products manufactured by or for Jazwares, LLC. that can be identified by the trademark, trade name, or logo affixed to it. This limited warranty does not apply to any non Jazwares, LLC. hardware product or any software, even if packaged or sold with the product. Non Jazwares, LLC. manufacturers, suppliers, or publishers may provide a separate warranty for their own products packaged with the bundled product. Jazwares, LLC. is not liable for any damage to or loss of any programs, data or other information stored on any media contained within the product, or any non - Jazwares, LLC. product or part not covered by this warranty.

Limited Ninety (90) Day Warranty:

WHAT IS NOT COVERED - EXCLUSIONS & LIMITATIONS

This warranty does not apply

- (a) to damage caused by accident, abuse, misuse, misapplication, or non - Jazwares, Inc. product,
- (b) to damage caused by service performed by anyone other than Jazwares, LLC.
- (c) to a product or a part that has been modified without the written permission of Jazwares, Inc.

LIMITED WARRANTY DOES NOT COVER

- Shipping charges to return defective product to Jazwares, LLC.
- Product repair and/or part replacement because of improper installation, connections to improper voltage supply, abuse, neglect, accident, unauthorized repair or other cause not within the control of Jazwares, LLC.
- Damage or claims for products not being available for use, or for lost data or lost software.
- Damage occurring to product during shipping.
- A product that requires modification or adaptation to enable it to operate in any country other than the country for which it was designed, manufactured approved and/or authorized, or repair of products damaged by these modifications.
- Product lost in shipment and no signature verification receipt can be provided.
- Failure to operate per Owner's Manual.

BEFORE RETURNING ANY PRODUCT, CONTACT JAZWARES, LLC. CUSTOMER SERVICE.
Customer service is available 9-6 EST at 1-800-370-1877.

REPAIR OR REPLACEMENT AS PROVIDED UNDER THIS WARRANTY IS THE EXCLUSIVE REMEDY FOR THE CONSUMER. JAZWARES, LLC. SHALL NOT BE LIABLE FOR ANY INCIDENTAL OR CONSEQUENTIAL DAMAGES FOR BREACH OF ANY EXPRESS OR IMPLIED WARRANTY ON THIS PRODUCT. EXCEPT TO THE EXTENT PROHIBITED BY APPLICABLE LAW, ANY IMPLIED WARRANTY OF MERCHANTABILITY OR FITNESS FOR A PARTICULAR PURPOSE ON THIS PRODUCT IS LIMITED IN DURATION TO THE DURATION OF THIS WARRANTY.

Some states do not allow exclusions or limitation of incidental or consequential damages, or allow limitations on how long an implied warranty lasts, so the above limitations or exclusions may not apply to you

This warranty gives you specific legal rights. You may have other rights which vary from state to state. This warranty is only valid in the Unites States of America.

© Jazwares, LLC.

Please read the instructions along with the walkie talkies carefully before use, so that you can operate them conveniently.

Congratulations on your purchase of the Walkie Talkies!
To get the most out of your Walkie talkies please read this manual as it will help you explain to the child the safe a proper way to use this toy.

SAFETY TIPS:

- Use this only as intended.
- To prevent fire or shock hazard, do not expose this unit to rain or moisture.
- Do not submerge the unit in any liquid
- Do not disassemble

Battery Information:

Information: Requires 2 X 9Volt (6LR61) batteries (not included).

Warning:

- Batteries are to be replaced by an adult.
- Non-rechargeable batteries are not to be recharged.
- Rechargeable batteries are to be removed from the toy before being charged
- Rechargeable batteries are only to be charged under adult supervision.
- For best performance only the recommended batteries or their equivalent are to be used.
- Batteries must be inserted with correct polarity.
- Do not mix new and used batteries.
- Do not mix different types of batteries.
- Exhausted batteries are to be removed from the toy.
- The supply terminals are not to be short-circuited.
- Do not immerse in water. Sponge clean only

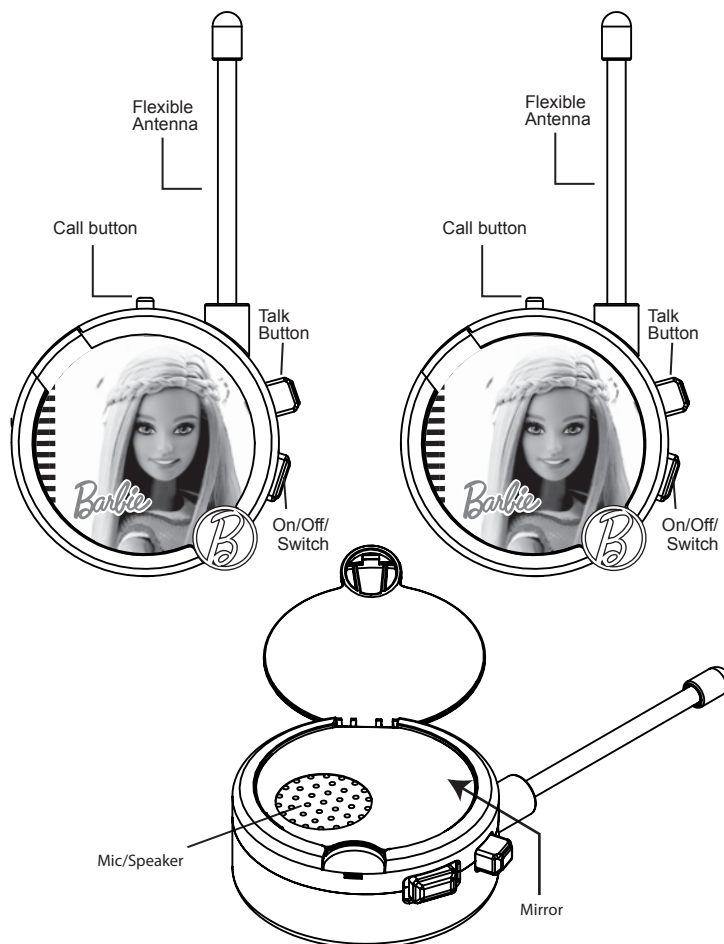
Battery Operation :

Remove the screw on the battery door with a screw driver.

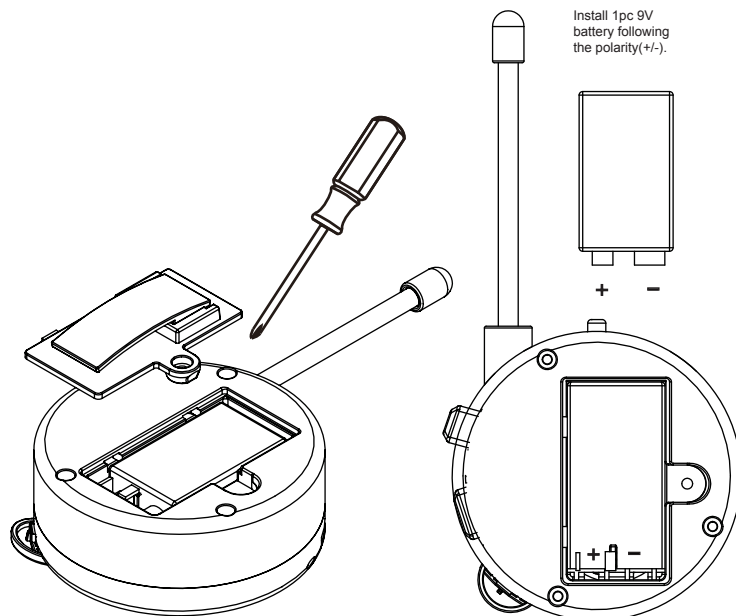
Open the battery door.

Insert 2 X 9Volt (6LR61) batteries with correct polarity into the battery compartment. Close the battery door, and replace the screw on position.

Using Your Walkie Talkies:



Battery Information:



Turning Power On/Off:

Slide **On/Off Button** to activate or deactivate the Walkie Talkies.

Remember to switch Walkie Talkies **OFF** after use to conserve battery life.

Both Walkie Talkies must be turned **ON** in order to send and receive messages.

Sending Voice Messages:

Press and hold the **Talk Button** and speak into mic.

In the meantime, when you press the Call Button, beep sound can be sent to receiver in addition to voice messages.

Receiving Voice Messages:

Messages can not be received while the **Talk Button** is pressed.

Messages are heard through the speaker

Troubleshooting:

Be careful not to talk at the same time as your friend. Two people talking at once will affect performance of the units.

This product does not transmit well through obstacles such as buildings, metal structures and trees.

Replace Batteries If :

One or more of the Walkie Talkies do not work

Signal range decreases notably

Need More Help?

Do Not Return Item to Store.

Call 1-800-370-1827 and speak to a customer service representative.

ITEM # 10035 - Barbie Walkie Talkie

Included in box:
• Walkie Talkies ; Set of 2
• User Guide and Warranty

USER GUIDE

© Jazwares, LLC. 2015

Ages
6+

j
jazwares