

Headphone Specifications:
 Driver Unit Size: 40mm
 Frequency Response: 20Hz to 20KHz
 Impedance: 32Ω
 Sensitivity: 95-/+10%dB
 Mic Sensitivity: 58dB±3dB

Battery Information:
 Built-in Battery: Lithium
 Input: DC 5V/300mA
 Battery Capacity : 300mAh
 Music playing time: Up to 5 hours*
 Charging time: 1-2 Hours

*Approximate playback time. Battery life depends on individual use and may be slightly more or less than the time specified.

Bluetooth Information:
 Bluetooth Specification: V3.0
 Operating Distance: 10 Meters (Class II)
 System Requirements: Bluetooth-capable device

Additional Connection Sources:
 Power Source: Built-in rechargeable battery or via USB cable

The Bluetooth® word mark and logos are registered trademarks owned by Bluetooth SIG, Inc., and any use of such marks by SHENZHEN LISAIER TRONICS CO.,LTD is under license. Other trademarks and trade names are those of their respective owners.

NOTES:

FCC Warning:

Warning! Changes or modifications to this unit not expressly approved by the party responsible for compliance could void the user's authority to operate the equipment.

NOTE:

This equipment has been tested and found to comply with the limits for a Class B digital device, pursuant to Part 15 of the FCC rules.

These limits are designed to provide reasonable protection against harmful interference in a residential installation. This equipment generates, uses and can radiate radio frequency energy and, if not installed and used in accordance with the instructions, may cause harmful interference to radio communications.

However, there is no guarantee that interference will not occur in a particular installation. If this equipment does cause harmful interference to radio or television reception, which can be determined by turning the equipment off and on, the user is encouraged to try to correct the interference by one or more of the following measures:

- Reorient or relocate the receiving antenna.
- Increase the separation between the equipment and receiver.
- Connect the equipment into an outlet on a circuit different from that to which the receiver is connected.
- Consult the dealer or an experience radio/TV technician for help.

IMPORTANT:
 Please save this instruction sheet.
 It contains valuable product information.

Compatible with most Apple iOS and Android devices

Frequency : 2.4GHz
 FCC ID : YNIJAZWARES10029



This device complies with Part 15 of the FCC Rules. Operation is subject to the following two conditions:
 (1) this device may not cause harmful interference, and
 (2) this device must accept any interference received, including interference that may cause undesired operation.

Jazwares, 16A Crane Grove, London, N7 8LE, United Kingdom
 www.jazwares.com

© 2016 Mattel. All Rights Reserved.

USER GUIDE

© Jazwares, LLC. 2016

Limited Ninety (90) Day Warranty:

WARRANTY COVERAGE
 Jazwares, LLC. 's warranty obligation is limited to the terms set forth below.

WHO IS COVERED
 Jazwares, LLC. warrants the product to the original purchaser or the person receiving the product as a gift against defects in material & workmanship as based on the date of the original purchase from an authorized dealer or retailer. The original sales receipt showing the product name & the purchase date from an authorized retailer is considered such proof.

WHO IS COVERED
 Jazwares, LLC. warranty covers new products if a mechanical defect arises & a valid claim is received within the Ninety (90) Day Warranty Period. At its option, Jazwares, Inc. will either (1) repair the product at no charge, using new or refurbished replacement parts, or (2) exchange the product with a product that is new or which has been manufactured from new, or serviceable used parts & is at least functionally equivalent or most comparable to the original product in Jazwares, Inc.'s inventory. Jazwares, LLC. warrants replacement products or parts provided under this warranty against defects in materials & workmanship from the date of the replacement or repair for ninety (90) days or for the remaining portion of the original product's warranty, whichever provides longer coverage for you. When a product or part is exchanged, any replacement item becomes your property and the replaced item becomes Jazwares, LLC. property. If a refund is granted, your product becomes Jazwares, LLC. property.

Replacement product can only be sent if all warranty requirements are met. Failure to follow all requirements can result in delay.

WHAT IS NOT COVERED - EXCLUSIONS & LIMITATIONS
 The limited warranty applies only to the products manufactured by or for Jazwares, LLC. that can be identified by the trademark, trade name, or logo affixed to it. This limited warranty does not apply to any non Jazwares, LLC. hardware product or any software, even if packaged or sold with the product. Non Jazwares, LLC. manufacturers, suppliers, or publishers may provide a separate warranty for their own products packaged with the bundled product. Jazwares, LLC. is not liable for any damage to or loss of any programs, data or other information stored on any media contained within the product, or any non - Jazwares, LLC. product or part not covered by this warranty.

WHAT IS NOT COVERED - EXCLUSIONS & LIMITATIONS
 This warranty does not apply

- (a) to damage caused by accident, abuse, misuse, misapplication, or non - Jazwares, Inc. product,
- (b) to damage caused by service performed by anyone other than Jazwares, LLC.
- (c) to a product or a part that has been modified without the written permission of Jazwares, Inc.

LIMITED WARRANTY DOES NOT COVER

- Shipping charges to return defective product to Jazwares, LLC.
- Product repair and/or part replacement because of improper installation, connections to improper voltage supply, abuse, neglect, accident, unauthorized repair or other cause not within the control of Jazwares, LLC.
- Damage or claims for products not being available for use, or for lost data or lost software.
- Damage occurring to product during shipping.
- A product that requires modification or adaptation to enable it to operate in any country other than the country for which it was designed, manufactured approved and/or authorized, or repair of products damaged by these modifications.
- Product lost in shipment and no signature verification receipt can be provided.
- Failure to operate per Owner's Manual.

BEFORE RETURNING ANY PRODUCT, CONTACT JAZWARES, LLC. CUSTOMER SERVICE. Customer service is available 9-5 EST at 1-800-370-1877.
 REPAIR OR REPLACEMENT AS PROVIDED UNDER THIS WARRANTY IS THE EXCLUSIVE REMEDY FOR THE CONSUMER. JAZWARES, LLC. SHALL NOT BE LIABLE FOR ANY INCIDENTAL OR CONSEQUENTIAL DAMAGES FOR BREACH OF ANY EXPRESS OR IMPLIED WARRANTY ON THIS PRODUCT, EXCEPT TO THE EXTENT PROHIBITED BY APPLICABLE LAW. ANY IMPLIED WARRANTY OF MERCHANTABILITY OR FITNESS FOR A PARTICULAR PURPOSE ON THIS PRODUCT IS LIMITED IN DURATION TO THE DURATION OF THIS WARRANTY.
 Some states do not allow exclusions or limitation of incidental or consequential damages, or allow limitations on how long an implied warranty lasts, so the above limitations or exclusions may not apply to you. This warranty is only valid in the United States of America.
 This warranty gives you specific legal rights. You may have other rights which vary from state to state.

© Jazwares, LLC.

IMPORTANT:
 Please save this instruction sheet.
 It contains valuable product information.



Wireless Stereo Headphone User's Manual



Congratulations on your purchase of the Bluetooth Headphones!
 To get the most out of your Bluetooth Headphones please read this manual as it will help explain proper usage.

Features:

- Automatically reconnects with the last connected Bluetooth device.
- Rechargeable battery provides up to 5 hours of continuous playback.
- Built-in on-ear controls let you control your music, adjust the volume, and answer calls

ITEM # 10029 - Bluetooth Headphones

Included in box:
 • Wireless Headphone
 • Micro USB Cable
 • User Guide

USER GUIDE

© Jazwares, LLC. 2016

Charge It

- Plug the micro USB cable into the micro USB port, and connect the other end of the cable to either a computer USB port or to a USB-compatible car or wall charger.
- Solid red LED light will appear on the power button to indicate when the headphone is charging, even while headphone is turned off.
- When charging is complete, the LED light will turn blue.
- Charging time is approximately 1-2 hours.

Turn It On/Off

- Press & hold the power button on the right side of the headphone for about 3 seconds.
- The headphone will emit a beep, and a blue/red LED light will flash to indicate the headphone is turning on.
- To turn the Bluetooth headphone off, press & hold the power button again for 3 seconds, until the LED light turns off.

Pair & Connect With New Device

- Power on the Bluetooth headphone (refer to the "Turn It On/Off" section)
- The Bluetooth headphone will automatically enter pairing mode when it is turned on. The LED light will start to quickly flash blue to indicate the Bluetooth is now ready to be paired with your device.
- On your Bluetooth-enabled smartphone, tablet or media player, navigate to the Bluetooth settings menu, turn on the Bluetooth feature, and search for new devices.
- After a few seconds you will see "Bluetooth Headphones" listed.
- Tap this model to select it. The headphone will emit a beep and the Bluetooth LED will slowly flash blue while it is paired with the device.

Press & Hold (3 Sec):Power On/Off

When powered on, pairing mode is automatically entered

Click Once:Play/Pause,Answer/End Calls

Double Click: Re-dial Last Dialed Phone Number

Press & Hold (1-2 Sec):Reject Incoming Call

Press & Hold (up to 3 Sec) Bluetooth will power off

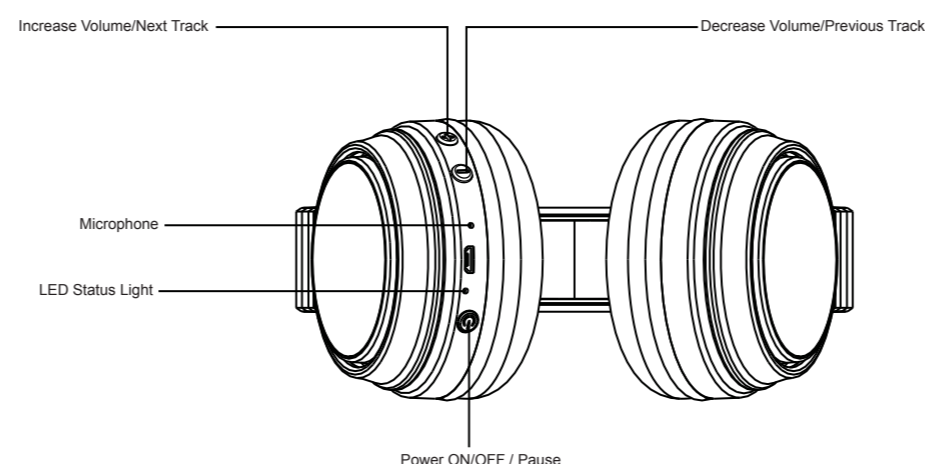
Changing Song Next Track : press + to go to the next track

Increasing Volume High : press + and hold to increase volume.

Changing Song Previous Track : press - to go to previous track

Decreasing Volume : press - and hold to decrease volume

Pause : Press Pause Button to Pause the Track



*Track, Play and Pause features do not function with Video

Play

- Connect your device via Bluetooth (refer to the "Pair & Connect" section)
- Open your favorite music app and press play.
- Control the music, track & volume from your device, or control the music & volume from the on-ear touch controls.
- Press the Power button once to play/pause music & answer calls, press it twice to redial the last number called on your phone, and press & hold (1-2 sec) to reject an incoming call.

Reconnect to Bluetooth

- The headphone will automatically reconnect to the last Bluetooth device it was connected to.
- If you have a previously paired device that does not auto-reconnect, navigate to the Bluetooth settings menu on your device, turn on the Bluetooth feature, and select "Bluetooth Headphones" from your list of paired Bluetooth devices.
- You can also press and hold the Play button for 3 seconds to turn off the Bluetooth. Then, follow the directions to turn on the bluetooth and connect your device again.

Troubleshooting

No power

Recharge your Headphones using the included micro USB cable. Try using a different micro USB cable.

Music is not playing over Bluetooth

Make sure your Bluetooth device has A2DP profile. Check if both devices are paired and connected over Bluetooth.

Bluetooth device will not reconnect with the headphone

Navigate to your Bluetooth settings menu on your Bluetooth device, tap "Bluetooth Headphones", and select "Forget". Now follow the steps to pair your device again. Or, press & hold the power button on the Bluetooth to turn off Bluetooth and turn it on again. Then follow the steps to reconnect your device.