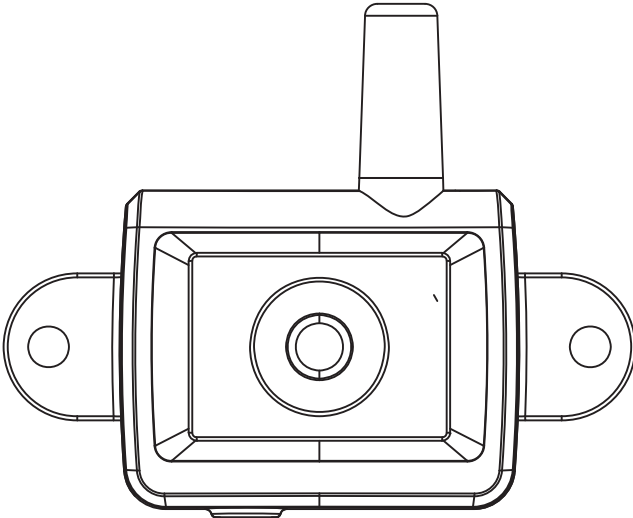


TPMS

TRAILER EXCHANGER

RP03

USERS' INSTRUCTION



✳️ TRAILER EXCHANGER FEATURES

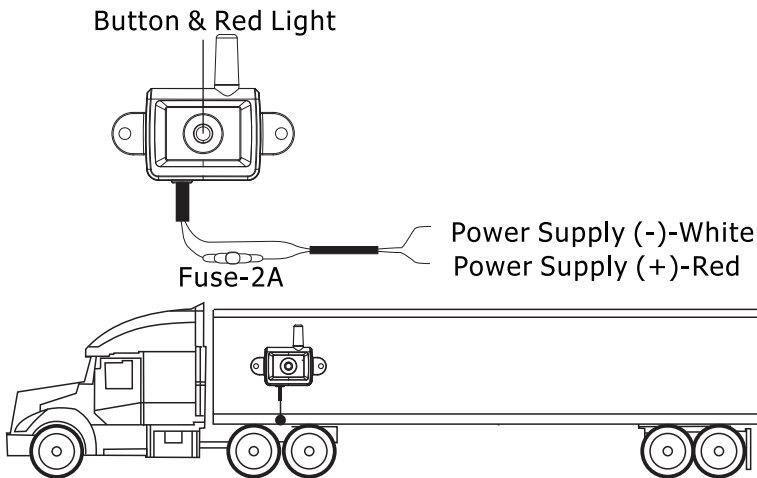
1. Ensure the stability of receiving signal from sensors when signal is weak.
2. Record the sensors' IDs, pressure and temperature limits of the wheels in trailer and trailer ID.
3. Support truck & trailer exchange.
4. Data of sensors in trailer is transferable between monitor and trailer exchanger.
5. Visible and audible alert for high pressure, low pressure, high temperature and fast leakage.
6. Fixed value for high temperature alert 90°C .

In a fleet, one trailer is not always attached to the fixed tractor. In order to make the sensors in the trailer exchangeable to the monitors without reprogramme the sensors in the trailer, each trailer can have a trailer exchanger to record the sensors' IDs, high pressure alert, low pressure alert of the wheels in trailer and trailer's ID.

For the first time to use repeater, as it do not have any data, you need to programme all the sensors' IDs, input the trailer ID to the monitor and set the high pressure alert, low pressure alert for the wheels in trailer.

✳️ TRAILER EXCHANGER INSTALLATION

If, due to length or interference, your TPMS monitor does not receive all of the sensors, you will need to purchase our **trailer exchanger** to increase the sensors transmitting distance.



Remark: The have better performance, please install the **trailer exchanger** outside between the front tractor and towed trailer.

※TRAILER EXCHANGER FUNCTIONS

1). Input trailer ID

(Normally for the first time to use trailer exchanger)

In standby mode, Press the "MODE" button on the monitor, it will show the ID code (six-digit numeral) of current trailer, meanwhile tire icons on the LCD trailer will flash. The initial setting of the trailer ID is "000000". Pressing the "MODE" button again will change to next numeral, and pressing "+" button will scroll through numbers changing from 0-9, it will store the ID code by pressing "CODE" for 3 seconds, and it will exit if pressing "MODE" button once in the period of setting mode.

Remarks: If no operation in 1 minute, the monitor will return to standby mode.

2). Monitor send data to trailer exchanger

(Normally for the first time to use trailer exchanger)

In standby mode, press "SET" button on the monitor for 6 seconds and release it until the second beep (do not release after the first beep), then press the button on the trailer exchanger until a beep sound, monitor will send sensors' IDs, pressure and temperature limits of the wheels in trailer and trailer ID to the trailer exchanger. The red light will flash twice and make a beep sound if monitor send the data successfully.

Remarks: The operation should be finished within 2 minutes, otherwise, both trailer exchanger and monitor will return to standby mode.

3). Trailer exchanger send data to monitor (For trailer exchange)

Press the button on the trailer exchanger for 6 seconds and release it until the second beep (do not release after the first beep), then press the "MODE" button on the monitor until a beep sound, trailer exchanger will send the sensors' IDs, pressure and temperature limits of the tires in trailer to the monitor. The monitor will display the trailer ID code for 10 seconds if monitor receive the data successfully.

Remarks:

1. The operation should be finished within 2 minutes, otherwise, both trailer exchanger and monitor will return to standby mode.
2. The trailer exchanger can only store the latest data of the trailer, it will update the data automatically if it received the data from monitor.

4). High pressure & Low pressure & Fast leakage alert

Sensors send the pressure data to trailer exchanger every 5 minutes, if the data is over or under its ranges, an audible alarm will sound and red light alert will flash. The alarm can be silenced by pressing the button on the trailer exchanger, however, the red light will continue to flash until the pressure is restored to its ranges.

5). High temperature alert

The trailer exchanger has fixed temperature alert at 90°C, sensors send the temperature data to trailer exchanger every 5 minutes, if the data is over 90°C, an audible alarm will sound and red light alert will flash. The alarm can be silenced by pressing the button on the trailer exchanger, however, the red light will continue to flash until the temperature is settled to below 90°C.

*TRAILER EXCHANGER SPECIFICATIONS

Operation Temperature	-20°C ~ 80°C
Storage Temperature	-30°C ~ 85°C
Working Voltage	12 ~ 24V
Transmission Power	<18dBm
Frequency	433.92MHz
Size(Without wire LxWxH)	77mm x 63mm x 16mm
Weight(With wire)	108g

*ATTENTION

1. Please read this instruction before installation.
2. Clean the surface and stick the repeater and antenna.
3. The repeater is water and dust resist.
4. Antenna should not be closed to metal.
5. Make sure all the wires are fixed well.
6. Check function before use.

Declaration of conformity

FCC

Changes or modifications not expressly approved by the party responsible for compliance could void the user's authority to operate the equipment.

This device complies with Part 15 of the FCC Rules. Operation is subject to the following two conditions:

- (1) this device may not cause harmful interference, and
- (2) this device must accept any interference received, including interference that may cause undesired operation.

This equipment complies with FCC radiation exposure limits set forth for an uncontrolled environment. This equipment should be installed and operated with a minimum distance of 20cm between the radiator & your body. This transmitter must not be co-located or operating in conjunction with any other antenna or transmitter.

IC

This device complies with Industry Canada license-exempt RSS standard(s). Operation is subject to the following two conditions: (1) this device may not cause interference, and (2) this device must accept any interference, including interference that may cause undesired operation of the device.

Cet appareil est conforme aux CNR exempts de licence d'Industrie Canada. Le fonctionnement est soumis aux deux conditions suivantes:

- (1) Cet dispositif ne peut causer des interférences; et
- (2) Cet appareil doit accepter toute interférence, y compris les interférences qui peuvent causer un mauvais fonctionnement de l'appareil.

The device meets the exemption from the routine evaluation limits in section 2.5 of RSS 102 and compliance with RSS-102 RF exposure, users can obtain Canadian information on RF exposure and compliance.

Le dispositif rencontre l'exemption des limites courantes d'évaluation dans la section 2.5 de RSS 102 et la conformité à l'exposition de RSS-102 rf, utilisateurs peut obtenir l'information canadienne sur l'exposition et la conformité de rf.

This transmitter must not be co-located or operating in conjunction with any other antenna or transmitter. This equipment should be installed and operated with a minimum distance of 20 centimeters between the radiator and your body.

Cet émetteur ne doit pas être Co-placé ou ne fonctionnant en même temps qu'aucune autre antenne ou émetteur. Cet équipement devrait être installé et actionné avec une distance minimum de 20 centimètres entre le radiateur et votre corps.