

# acknowledgment

## SPECIFICATION FOR APPROVAL

(CUSTOMER): 一么么 科技 有 限 公 司


(CUSTOMER P/N) :07-000128

(DESCRIPTION) : A11 slotted DATE:2023/11/01

(SPECIFICATION) : G50 slotted/18mm REV.NO.:A0

### HongRiShengwei huchnology co,ltd

2nd Floor, Building 1, No. 48 Huanguan Middle Road, Guanlan, Longhua New District,  
Shenzhen

department	confirm	check	approve	official seal
quality	dongwanhong	lvhui	weihanman	
engineering	heweihua	weilihong	weilihong	

备注:

### 一么么 科技 承 认 签 核、盖 章

department	confirm	check	approve	official seal
engineering				
purchase				
quality				

备注:

HongRiShengwei huchnology co, ltd

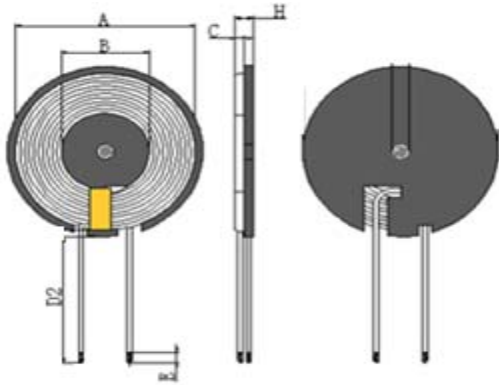
HRSW ELECTRONICS CO.,LTD

TEL: +86-755-23461055 FAX: +86-0755-28015170

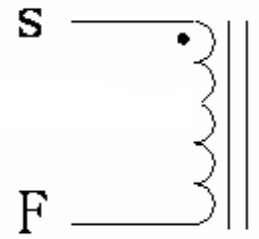
page:1/2

# SPECIFICATION FOR APPROVAL

## 1. MECHANICAL DIMENSION (UNIT:mm)



## 2. SCHEMATICS:



A	B	C	D2	E	H			I
49.5±0.5	20.5±0.5	0.9±0.05	18±3	3±2	2.6M	G50 slotted+	18mm	

## 3. WINDING:

1.1#

STEP	START-FINISH	WIRE TYPE	TURNS	TAPE	REMARK
N1	S-F	Wrapped wire 0.08 × 105 shares	10TS (Ref)		

## 4. ELECTRICAL SPECIFICATION:

ITEM	L	DCR			HI-POT
TEST	Coil plus magnetic sheet	S-F			
COND	100KHz, 0.25V	AT 25°C			
SPEC	6.4uH ± 10%	50mΩ Max			

## 5. BILF OF MATERIAL:

NO.	ITEM	MATERIAL SPECIFICATION	MANUFACTURER	SGS NO.
1	Wrapped wire 0.08 × 105 shares	Wrapped wire 0.08 × 105 shares	NANJINGJINNINGCO,LTD	
2	Solder Bar	Solder Bar	QIAODO	
3	Magnetic sheet	50mm diameter, 0.8 thick l-slot magnetic sheet	TAIYI CO.,LTD	
4	glue	Yellow glue 999	LIANCHENG CO.,LTD	
5	High temperature adhesive tape	8mm wide high-temperature adhesive tape	CUDAK CO.,LTD	
6	Adhesive backing	□49.5*0.1	CUDAK CO.,LTD	
7	Black membrane	□49.5*0.1	CUDAK CO.,LTD	

HRSW ELECTRONICS CO.,LTD		PART NO	
		TITLE	G50 slotted+ 50mm
DRAWN BY		CHECKED BY	APPROVED BY
HEWEIHUA		WEILIHONG	WEILIHONG