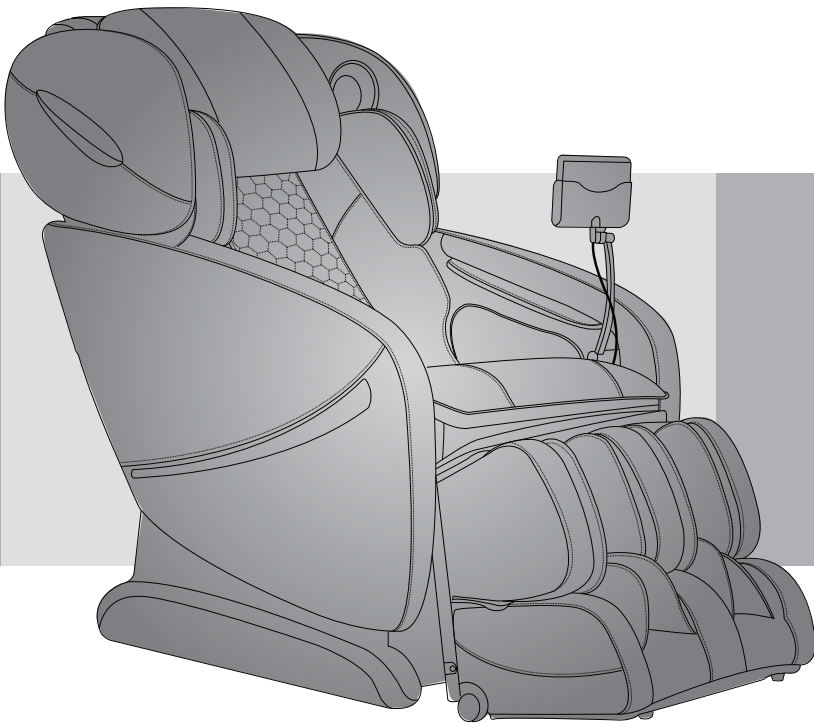


Osaki

Instruction Manual

Model No. OS-Pro Alpina



Before operating this unit, please read these instructions completely.

Contents

Before Use

Safety Precautions	1-3
• FCC Radiation Exposure Statement	3
Chair Components	4-6
• Bluetooth Speaker	5
Setting up the massage chair	7-8
Assembly	9-14
Preparation before Use	15-16

How to Use

Controller (Touch Pad)	17-18
Quick Start.....	18-19
Automatic Course.....	20-23
Advanced Function	23-26
• Basic Massage	23-25
• Air Massage	25
• Special	25-26
Position	26-27
Setting	27-28
How to End Massage.....	28

Q&A / Important

Cleaning and maintenance	29
Troubleshooting	30
Grounding Instructions.....	31
Chair Specifications.....	32

Thank you for purchasing this Massage Chair.
Before using your massage chair, please read the contents of this
instruction manual and refer to it when needed.

Safety Precautions

When using the massage chair, basic precautions should always be followed to reduce the risk of electric shock, burns, fire or injury to persons. Please read the following precautions before using the massage chair.

- Make sure the power plug is securely inserted into a proper electrical outlet to reduce the risk of short-circuit and fire.
- It is highly recommended that a surge protector is used to prevent from damage.
- DO NOT use the massage chair in areas where the humidity is high such as a sauna steam room, Pools, bathrooms, AC or heating vents, etc.
- DO NOT use the massage chair outdoors and avoid areas with direct sunlight.
- If the chair is not being used, turn the power switch to the OFF position and unplug the massage chair from the electrical outlet to prevent any damages to the chair when there are power outages/surges that may cause serious damage.
- Never plug/unplug the power cord plug socket with wet hands.
- Close and continuous supervision is necessary when the massage chair is used by, on or near children or disabled persons.
- No more than one person should use the massage chair at the same time.
- The massage chair is intended for use as described in the Instruction Manual. Do not use any attachments other than those recommended by the manufacturer.
- DO NOT attempt to stand or sit on the backrest, armrest or footrest in order to prevent accident, injury or damage to the chair.
- Avoid falling asleep while using the massage chair.
- Always keep the massage chair clean, and never insert any objects into or around the gaps of the massage chair.
- DO NOT move the massage chair by pulling on the power supply cord.
- Make sure there are no children, pets or other obstacles behind or underneath the massage chair.
- If you find any rips or tears in the fabric of the massage chair contact the service department and stop using the chair immediately.
- This massage chair is designed for household use and should not be used in non-residential settings.

Safety Precautions

- Please consult your doctor if you are in doubt as to whether or not you should use this massage chair.
- Please consult a doctor before using the massage chair if you are pregnant, undergoing any medical treatment, using a medical electronic device such as a pacemaker, or are experiencing any of the following: Malignant tumor, heart disease, back pain, abnormal or curved back bone, osteoporosis or acute illness.
- If you experience pain while using the massage chair, stop using the chair immediately and consult your doctor.
- Never use a massage function on swollen or inflamed parts of the body.
- DO NOT use the massage chair for more than 30 minutes at a time.
- DO NOT use the massage chair where aerosol(spray) products are being used or where oxygen is being administered.
- This massage chair is a non-professional product designed to provide a comfortable massage and should not be substituted for appropriate medical treatment.
- Never operate the appliance with the air hoses that inflate while they are blocked. Keep the air openings free of lint, hair, and any other obstructions.
- Check the skin in contact with the heated area of the appliance frequently to reduce the risk of injury. If the heating pad malfunctions and extreme heat is produced it may cause serious burns.
- Burns may result from improper use. If this is the case immediately shut off the chair and unplug from the outlet.
- Remove all sharp objects from the body and pockets such as keys and Pens.
- Keep children away from extended foot support (or other similar parts.)
- DO NOT WET-DO NOT USE PINS.
- NEVER REMOVE COVER.

Caution

The user's weight is usually limited to 220 lbs.

When using the massage chair, the mechanism will stop for safety while there is too much pressure on it. When that happens, please switch off the power and restart after 10 seconds.

FCC Radiation Exposure Statement

FCC Radiation Exposure Statement: (mobile device)

This equipment complies with FCC radiation exposure limits set forth for an uncontrolled environment. In order to avoid the possibility of exceeding the FCC radio frequency exposure limits, Human proximity to the antenna shall not be less than 20cm (8 inches) during normal operation.

FCC STATEMENT

1. This device complies with Part 15 of the FCC Rules. Operation is subject to the following two conditions:

- (1) This device may not cause harmful interference, and
- (2) This device must accept any interference received, including interference that may cause undesired operation.

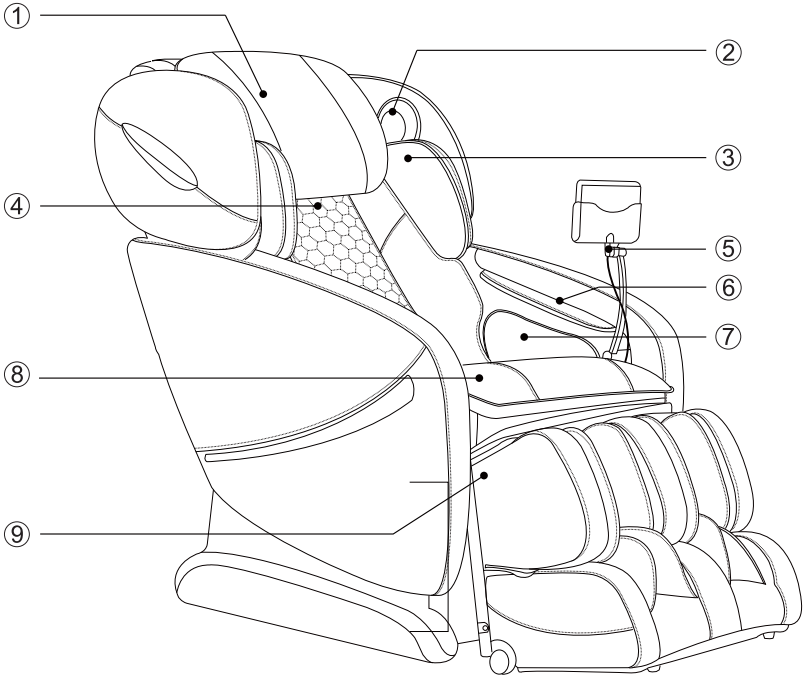
2. Changes or modifications not expressly approved by the party responsible for compliance could void the user's authority to operate the equipment.

This equipment has been tested and found to comply with the limits for a Class B digital device, pursuant to part 15 of the FCC Rules. These limits are designed to provide reasonable protection against harmful interference in a residential installation. This equipment generates, uses and can radiate radio frequency energy and, if not installed and used in accordance with the instructions, may cause harmful interference to radio communications. However, there is no guarantee that interference will not occur in a particular installation. If this equipment does cause harmful interference to radio or television reception, which can be determined by turning the equipment off and on, the user is encouraged to try to correct the interference by one or more of the following measures:

- Reorient or relocate the receiving antenna.
- Increase the separation between the equipment and receiver.
- Connect the equipment into an outlet on a circuit different from that to which the receiver is connected.
- Consult the dealer or an experienced radio/ TV technician for help.

Chair Components

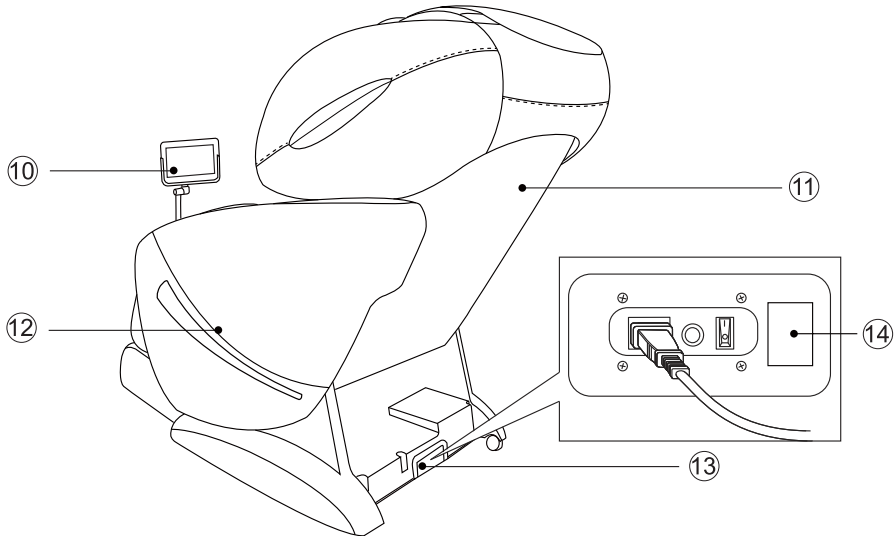
Front



- ① Pillow Pad
- ② Bluetooth Speaker (See Page 5)
- ③ Shoulder side massage section
- ④ Backrest Pad
- ⑤ Controller Stand
- ⑥ Hand and arm massage section
- ⑦ Seat and thigh side massage section
- ⑧ Seat
- ⑨ Legrest

Chair Components

Back



⑩ Controller

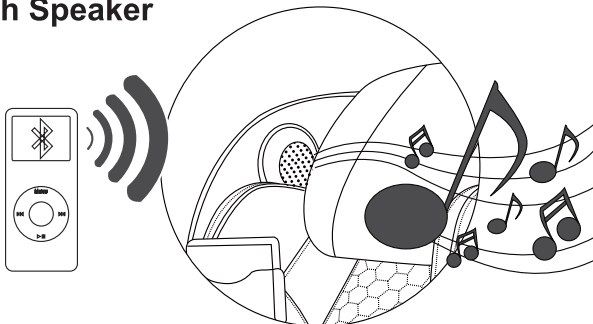
⑫ Side Panel

⑭ Bluetooth Name Label

⑪ Backrest

⑬ Power Switch Section

Bluetooth Speaker



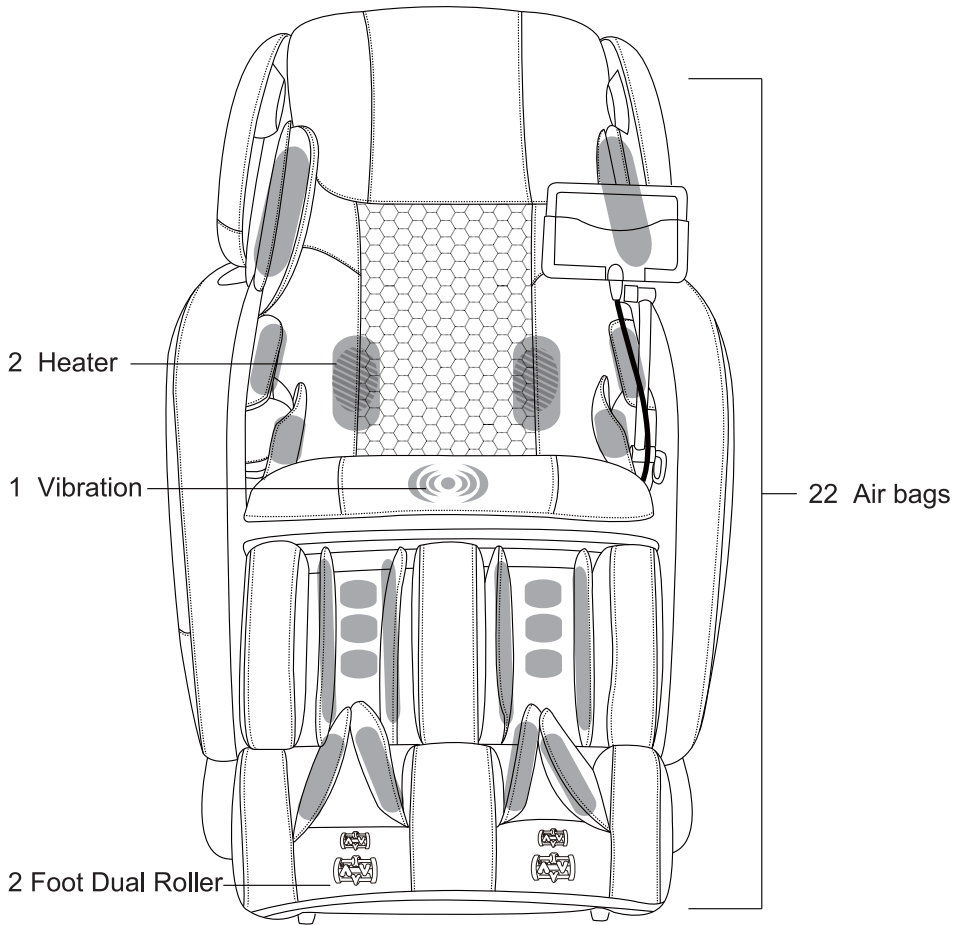
NOTE:

The bluetooth speaker can only connects with one bluetooth device at a time. Please turn off your bluetooth device after using so that other users can enjoy it as well.

The bluetooth name label is on the right side of power switch on the electric control box. The naming rule of bluetooth name is MASSAGE CHAIR-XXXXXX XXXXXX (MC-XXXXXXXXXXXX).

Chair Components

Air Massage Area

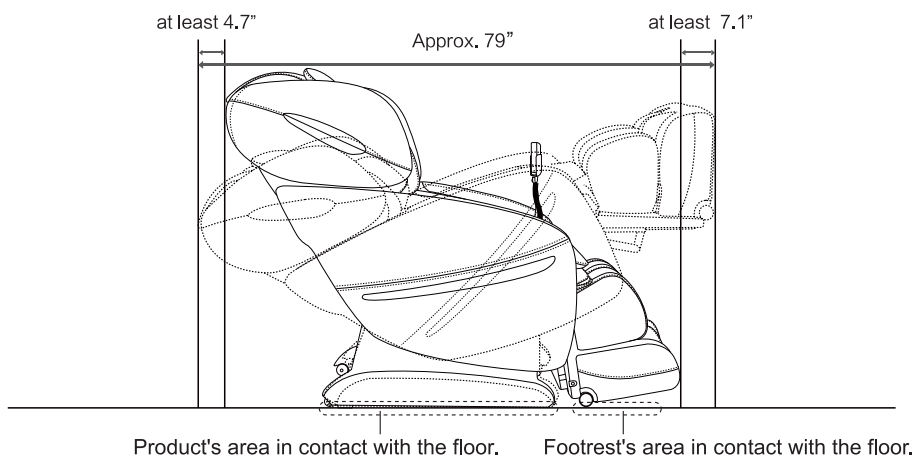


-  Air bag
-  Heat
-  Vibration
-  Foot Roller

Setting up the massage chair

1. Installation Position.

- Ensure there is adequate space to recline.

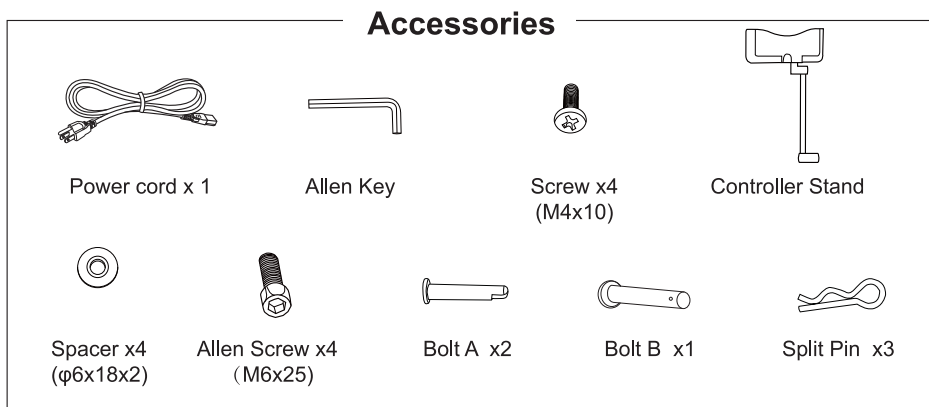
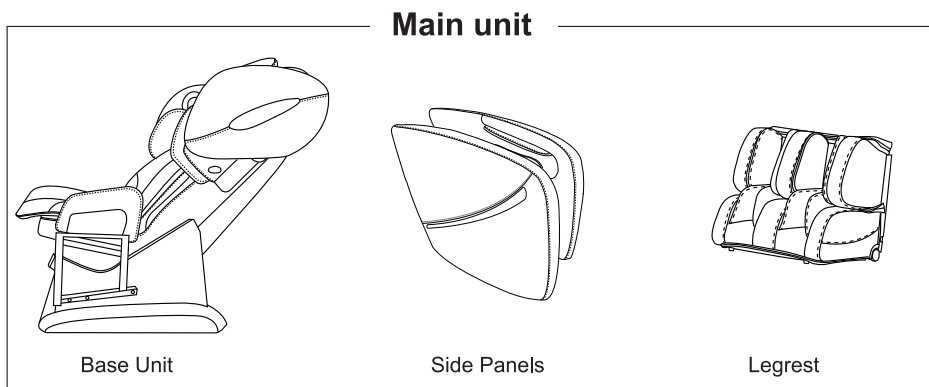


- Do not expose the massage lounger to direct sunlight or high temperatures, such as in front of heating sources, because this can cause discoloration or hardening of the synthetic leather.
- Place the unit on a mat to prevent floor damage.
- When placing a mat under the unit, the size of the mat should be sufficient (at least 52" x 32") to cover the areas where the unit touches and where the legrest could touch the floor, as shown in the diagram on the above.
- Install the unit near a power outlet.

Setting up the massage chair

2.Removing everything from the box and installing the unit.

- Confirm that the main unit and the accessories are in the box
- Since the unit is very heavy, be careful to avoid back injuries.
- The unit must be carried by two persons.
- To put the unit down on the floor, do it slowly and carefully watch your step.

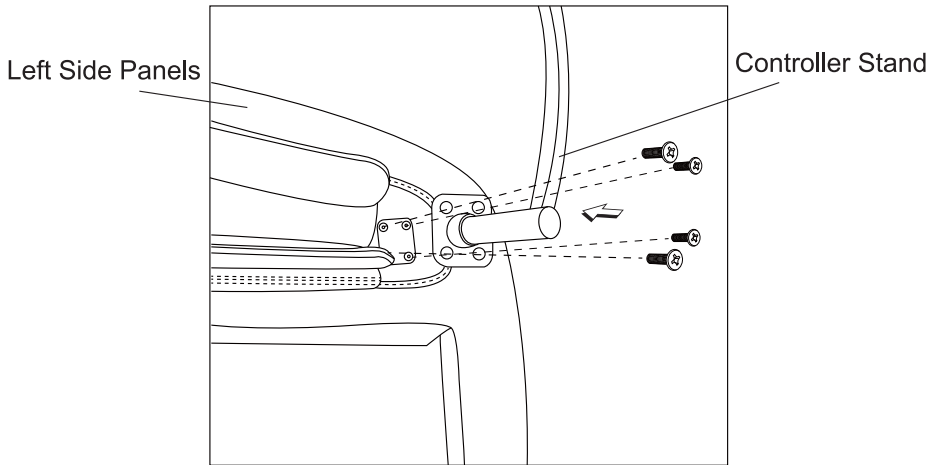


- The tools you may also use:  Cross Screwdriver

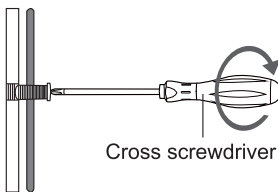
Assembly

1. Attaching the controller stand to the left side.

- Fasten the controller stand with the attachment screws.(4 positions)
Use 4 pcs of attachment screws (M4x10).
- Align the holes of the side panel with the holes of the controller stand.



How to tighten the screws.

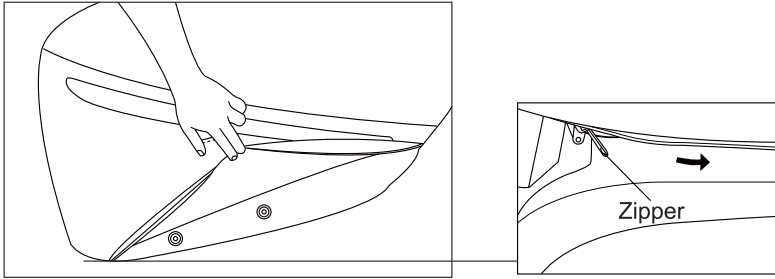


- Put an attachment screw on the edge of the cross screwdriver and tighten the screw horizontally to the hole.
- Tighten firmly with the cross screwdriver.
- Screw may be damaged if you tighten the screw inserted into the hole crookedly using a screwdriver.

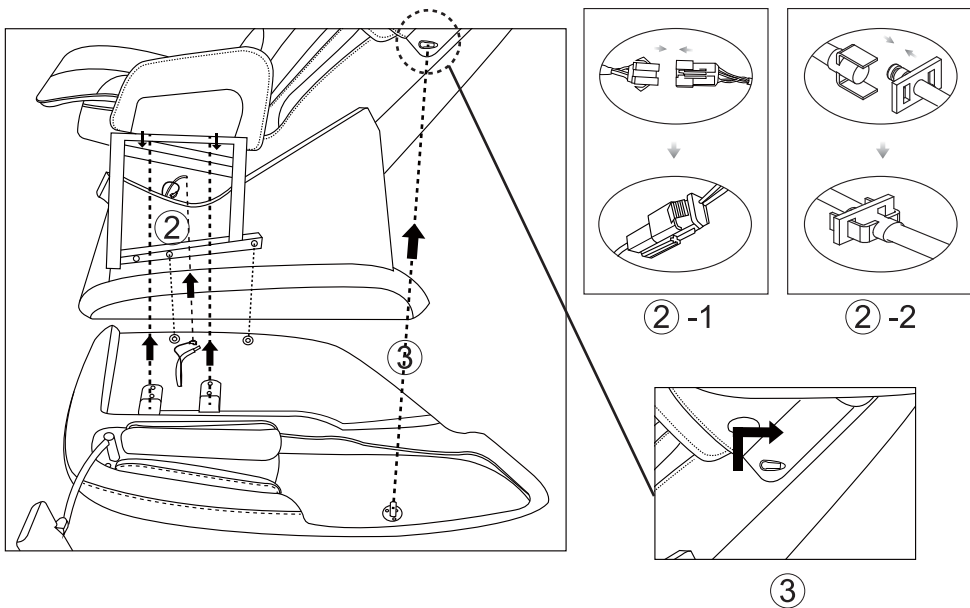
Assembly

2. Attaching the side panels.

- ① Pull open the zipper at the bottom of side panel.

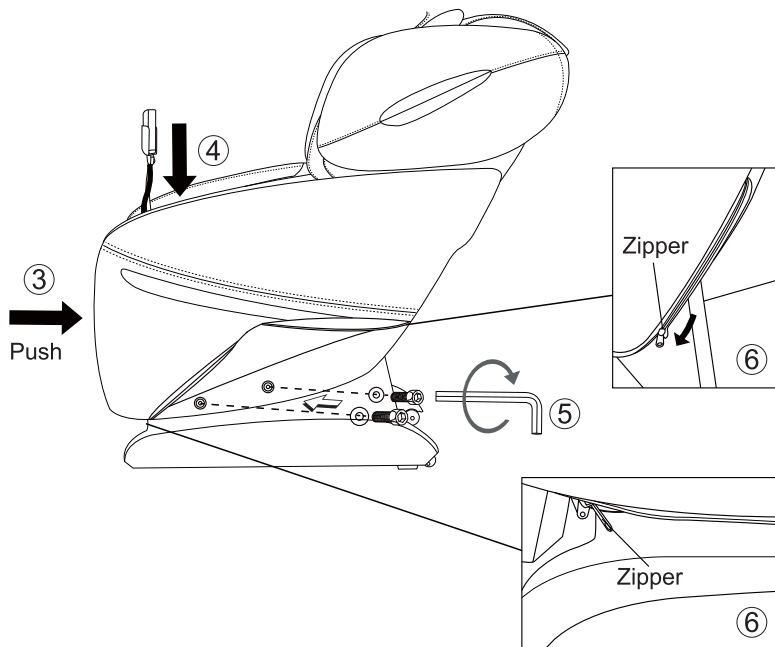


- ② Lean the side panel on the seat base, connect the wire and air hose.
- ③ Insert the protrusion into the groove, and push to the end.



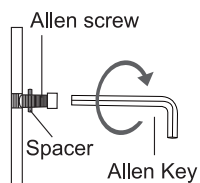
Assembly

- ④ Press the armrest downwards while simultaneously pushing it towards the seat.



- ⑤ Fasten two spacer ($\phi 6 \times 18 \times 2$) and two allen screw (M6x25) with allen key.

How to tighten the allen screw.



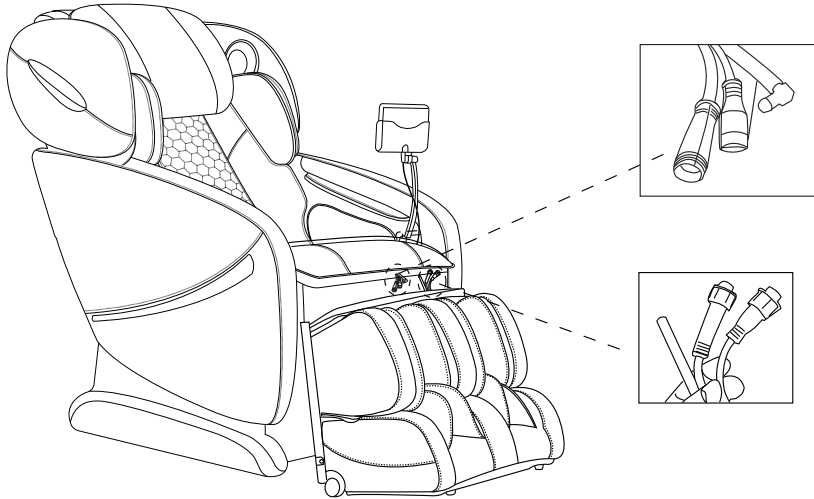
- Put an attachment allen screw on the edge of the allen key and tighten the allen screw horizontally to the hole.
- Tighten firmly with the allen key.
- Allen screw may be damaged if you tighten the allen screw inserted into the hole crookedly using an allen key.

- ⑥ Zip the synthetic leather of side panel which you unzipped before.
⑦ Repeat above steps to install right side panel.

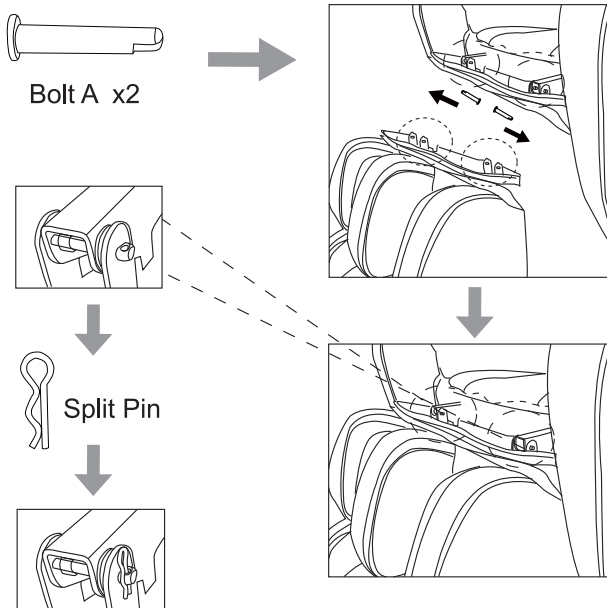
Assembly

3. Attaching the legrest.

1) Connect the wires and air pipes from the footrest and seat part respectively.

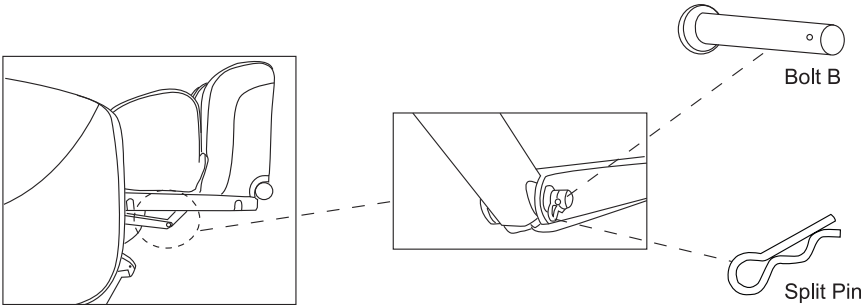


2) Align the connecting holes from the footrest and seat part.
Insert bolt A and secure with split pin as demonstrated.

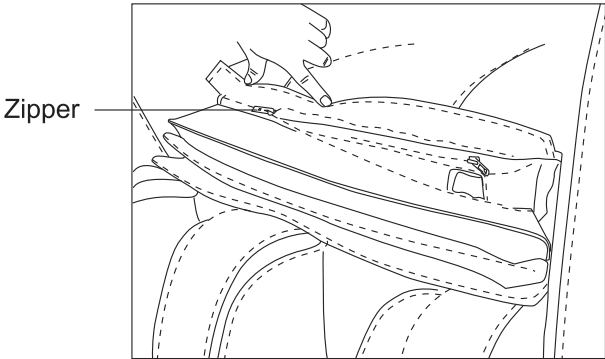


Assembly

3) Lift the legrest to a horizontal position and align the connecting hole. Insert bolt B and secure with split pin as demonstrated.



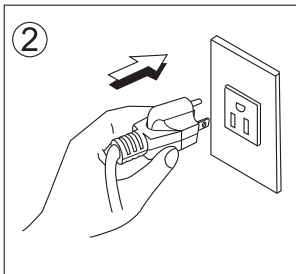
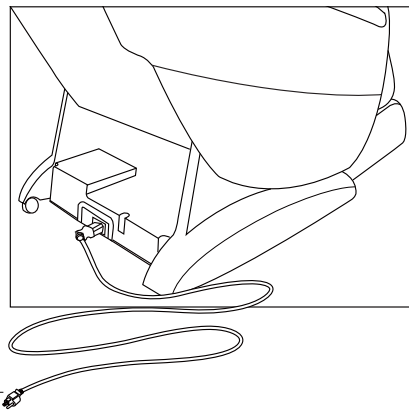
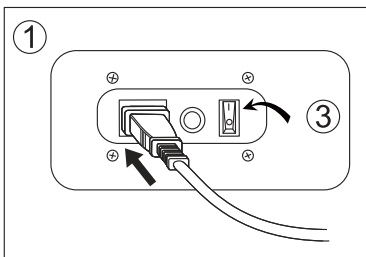
4) Attach the seat cover and footrest cover with the zipper.



Assembly

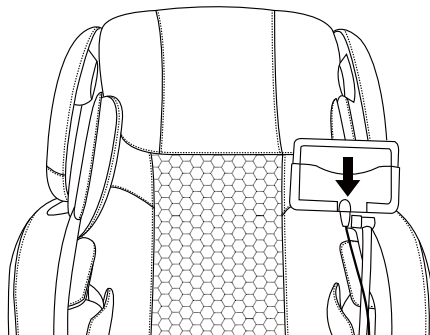
4. Connect the power cord to the unit and turn on the power.

- Check for dirt and damage on appliance inlet of the power switch section and the connector of the power cord.
- ① Insert the connector into the appliance inlet.
 - Be sure to push the connector in all the way.
 - ② Insert the power plug into the power outlet.
 - ③ Turn the switch to "I" position.



5. Placing the controller.

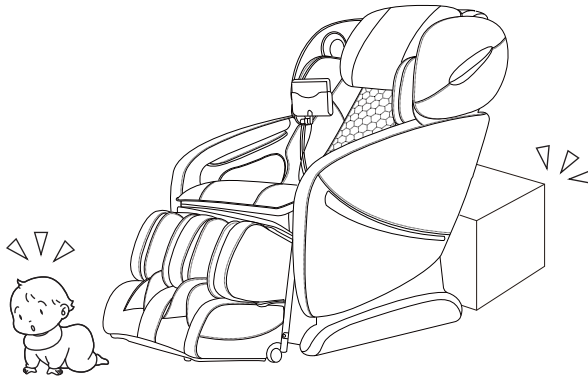
Insert the controller into the controller stand till the end.



Preparation before Use

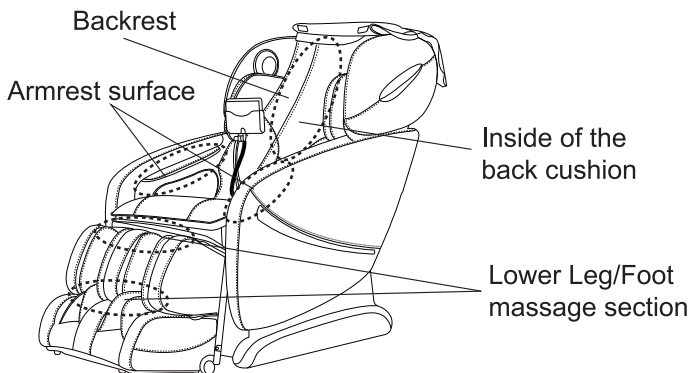
1. Check the space around the product.

Make sure there is no person, pet, or other object close to the product.



2. Make sure there is no foreign matter in the seams of the product.

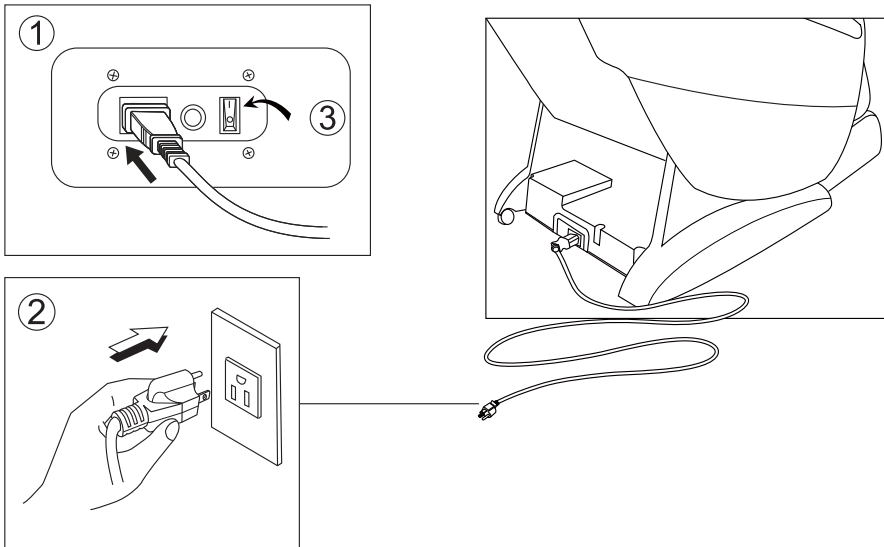
- Before sitting on the product, make sure there is no foreign matter between any two parts of it.
- Do not put hands, arms or head between the backrest and the back cover.
- Do not put pets on the product (such as its back cover, backrest and armrests).



Preparation before Use

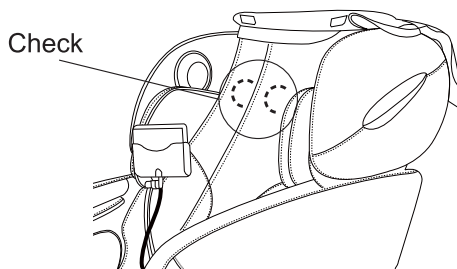
3. Power on the product

- ① Push the power connector into the appliance inlet till the end.
- ② Insert the power plug into the power outlet till the end.
- ③ Turn the switch to "I" position



4. Make sure the massage rollers are retracted.

If they are not, press ON button to return them to the retracting position.



How to Use

Controller (Touch Pad)



1. ON/OFF

- Keep pressing this button for 1 second to activate the massage chair.
- Keep pressing this button for 1 second again to stop all massage function, massage chair will return to its original position.

2. Automatic Course

- When this icon is touched, the screen will change to [Auto Program] . SEE PAGE 20 to 22.

3. Advanced Function

- When this icon is touched, the screen will change to [Advanced Function]. You can select any type of manual massage you want. SEE PAGE 23 to 26.

4. Position

- When this icon is touched, the screen will change to [Position]. You can adjust the angle and length. SEE PAGE 26 to 27.

5. Setting

- When this icon is touched , the screen will change to [Setting]. SEE PAGE 27 to 28.

How to Use

6. Operation Display

- Currently performing massage actions light up while massaging.
- Currently selected actions light up when manual operation is selected.

7. Massage Area Display



- Current approximate massage position flashes.



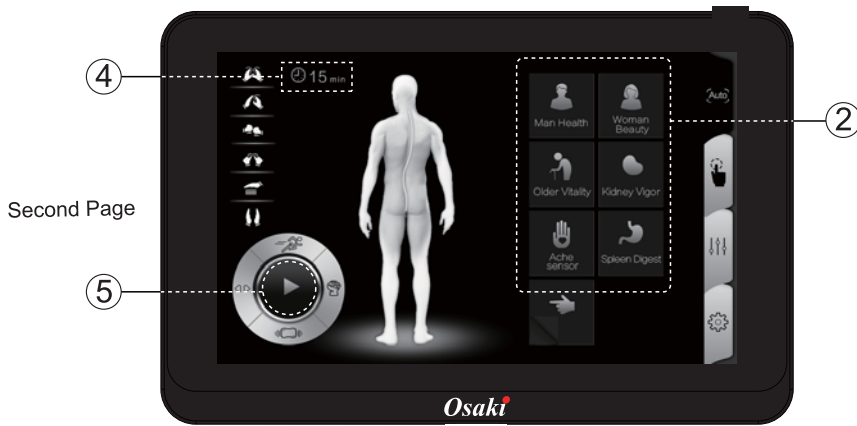
- Currently selected air massage parts light up.
- Current air massage position light up.

Quick Start

First Page



How to Use



1. Keep pressing the button for 1 second to turn on the power.
(The default setting on screen will show **Auto** after power on.)
2. Touch one of the icons to select the auto program (For details, see page 20 to 22.)
Touch to page down and to page up.
3. To adjust your preferences.
 - Touch to adjust the massage speed.
 - Touch to adjust the massage strength.
 - Touch to adjust the air massage intensity.
 - Touch to adjust the massage roller width.
4. Touch 15 min to adjust the duration for 20, 25, 30, 05, 10 or 15 minutes.
5. Touch to pause the massage functions. And touch to start again.

NOTE:

- will change to when program is in operation.
- will change to when function is paused.

How to Use





Automatic Course

First Page

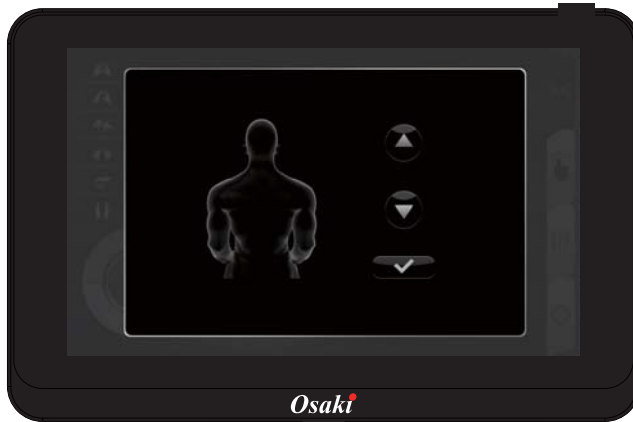


Second Page



1. Touch the  icon to enter [Automatic Course] interface.
2. Touch  to page down and  to page up.
3. If any one of the 13 auto programs is activated, chair will automatically performing a shoulder height scan.
And the theme will go to shoulder asjustment automatically, user can manually adjust the shoulder height position to the desire comfortable position before auto program start. Then touch  to confirm.

How to Use



General

- Full body massage with various massage techniques, intending to relieve fatigue on full body.

Deep Tissue

- Standard course for thorough relaxation based on the strong kneading and ultra actions.

Recovery

- Focus on waist and hips, massage with kneading and tapping, intending to promote detoxification.

Wake Up

- Combine with kinds of tapping techniques for back, arm and leg to relax full body and wake you up.

Sleeping

- Gentle relaxation course based on tapping actions helps you to fall asleep.

Healthy Regimen

- Combine with various massage techniques for waist, hips and thigh, intending to shape a healthy body.

Stretching

- Stretch the back muscles, hands and full body in which four stretching actions are repeated.

Man Health

- The muscles around your lower back will be loosened by soft kneading and strong tapping.

How to Use

Woman Beauty

- The muscles around your waist, hips and thigh will be loosened by kneading, rolling and shiatsu.

Older Vitality

- Specially designed for the aged, massage with soft kneading and soft tapping.

Kidney Vigor

- Focus on lower back and hips with all the massage techniques.

Spleen Digest

- The muscles between waist and lower back will be loosened by soft kneading and tapping.



Ache Sensor

- Select this program will start with detecting the ache point of user's body with putting two hands on the sensor naturally on the armrest. The massage will be focused on the collected ache points accordingly.

Timer 15 min

- Touch this icon to adjust the duration for 20, 25, 30, 05, 10 or 15 minutes.
- The number beside the icon shows the remaining time.

Pause

- When the chair is in massage mode and user want to temporary pause it, touch the icon  and all massage function will stop, and the set time countdown will be paused as well. Only the [ON/OFF] and [Pause] can be used.
- Touch the  to immediately cease the pasue function and resume the original massage function. The countdown continue.

<p>NOTE:</p> <ul style="list-style-type: none">•  will change to  when program is in operation.•  will change to  when function is paused.
--

Speed

- Touch this icon to adjust speed for Swedish, Tapping, Shiatsu and Clapping.
- 5 stage speed available for adjustment.

How to Use





Strength

- Touch this icon to adjust intensity of air massage.
- 5 stage intensity available for adjustment.

Width

- Touch this icon to adjust back roller width.
- It can be used when Tapping, Shiatsu, Clapping or Rolling activated.
- 3 stage width available for adjustment.


Advanced Function

1. Touch the  icon to enter [Advanced Function] interface.
2. Select function interface.
 - Touch the  icon to enter [Basic Massage] interface.
 - Touch the  icon to enter [Air Massage] interface.
 - Touch the  icon to enter [Special] interface.
3. Touch and select any of the manual or air functions you want.

Basic Massage




Kneading

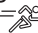
- Touch Kneading to activate the kneading function. Touch again to stop kneading function.
- Kneading can be combined with tapping, shiatsu or clapping.
- Touch  to adjust strength for kneading.

How to Use

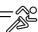
Swedish

- Touch Swedish to activate the swedish function. Touch again to stop swedish function.
- Touch  to adjust speed for swedish.


Tapping

- Touch Tapping to activate the tapping function. Touch again to stop tapping function.
- Tapping can be combined with kneading.
- Touch  to adjust speed for tapping. Touch ◀▶ to adjust tapping width.

Shiatsu

- Touch Shiatsu to activate the shiatsu function. Touch again to stop shiatsu function.
- Shiatsu can be combined with kneading.
- Shiatsu can be combined with kneading.
- Touch  to adjust speed for shiatsu. Touch ◀▶ to adjust Shiatsu width.

Clapping

- Touch Clapping to activate the clapping function. Touch again to stop clapping function.
- Clapping can be combined with kneading.
- Touch  to adjust speed for clapping. Touch ◀▶ to adjust clapping width.

Rolling

- Touch Rolling to activate the rolling function. Touch again to stop rolling function.
- Touch ◀▶ to adjust rolling width.

Spot

- Touch this icon to select spot massage for any part on the back.
- Touch once to activate spot massage while the original massage mode continues to run at the original position.
- Touch again to cease spot massage function and resume full back massage function.

Partial

- Touch this icon to select partial massage for any part of the back.
- This will keep the original massage mode working on a range of 3.2".
- Touch again to cease partial massage function and resume full back massage function.


How to Use

Up/Down


- Touch these icons to adjust back massage position.
- Press ▲ or ▼ to choose position of back massage rollers.
- Release the icon once the desired position is achieved.



Arm/Calves/Foot/Seat Side/Shoulder & Lumbar

- Select the body part and touch the icon to select air massage position.
- Touch  to adjust intensity of air massage.

Full Air

- Touch this icon to activate full body air massage function.
- This program applies full body part air massage.
- Touch  to adjust intensity of air massage



How to Use

LED

- Touch this icon once to turn on the blue light on speaker. Touch again to turn off light.

Feet Rollers

- Touch this icon once to activate roller massage on feet. Touch again to stop feet roller massage.


Vibration

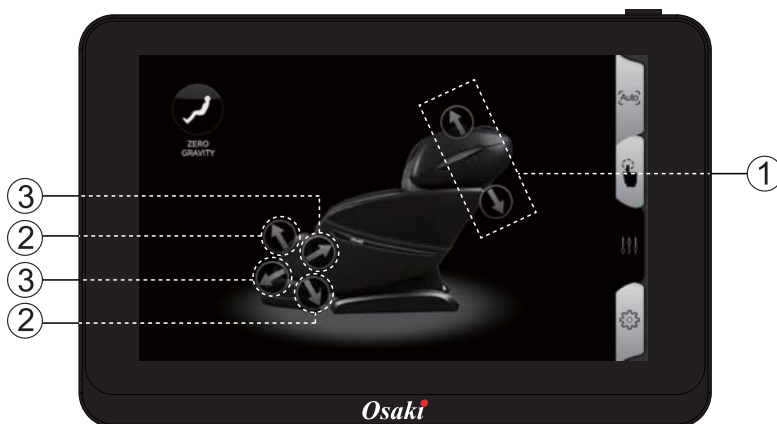
- Touch this icon once to activate the seat vibration function. Touch again to stop seat vibration function.

Heating

- Touch this icon once to activate the lumbar heating function. Touch again to stop the heating function.
- It is applicable during any automatic program, localised area program or manual program.

Position

Touch the  icon to enter [Position] interface.



Zero Gravity

- Touch this icon to adjust the angle of the massage chair to zero gravity position.
- Touch again to resume to original position.

How to Use

① Backrest Recline/Incline

- Touch the arrow icon to control recline or incline angle of the chair.
- When the desired position reach, touch icon again to stop the adjustment.


② Footrest Lift/Drop

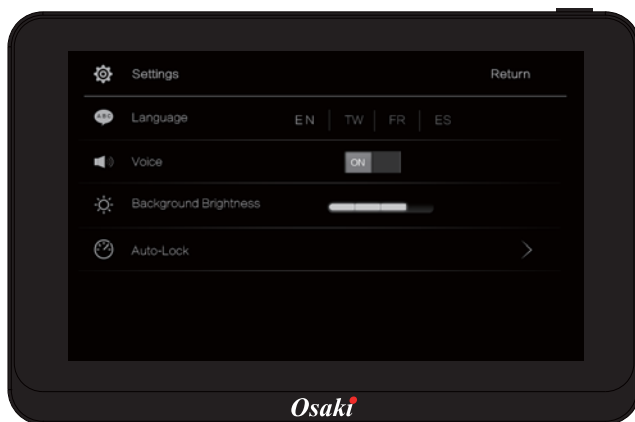
- Touch the arrow icon to lift or drop the footrest.
- When the desired position reach, touch icon again to stop the adjustment.

③ Footrest Extension/Retraction

- Touch the arrow icon to control the footrest extension or retraction.
- When the desired position reach, touch icon again to stop the adjustment.

Setting

Touch the  icon to enter [Setting] interface. Touch "Return" to go back to main page.



Language

- Touch the icon to select the language you want.

EN = English
TW = Chinese-Taiwan (繁體中文)
FR = French (Français)
ES = Spanish (Español)

Voice

- Use the icon to turn on or off touch tones.

How to Use

Background Brightness

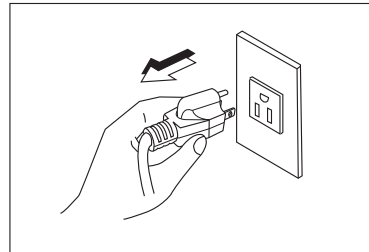
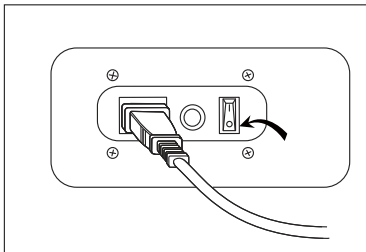
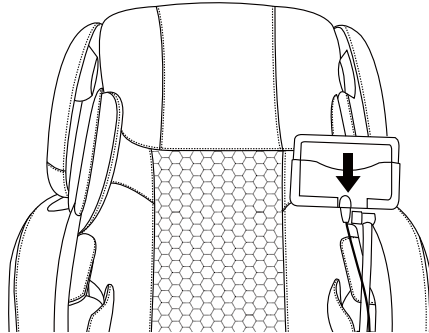
- Use the icons to adjust background brightness of screen.

Auto-Lock

- Use this item to adjust auto-lock timer.

How to end massage

- Press the ON/OFF button for 1 second to stop the massage operation.
- Insert the controller back into the controller holder.
- Massage rollers will reset automatically.
- Switch the power button under the chair to "O" position and disconnect the power cord plug.



Cleaning and maintenance

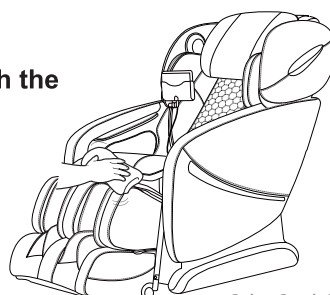
1. Cleaning of the synthetic leather

Wipe the synthetic leather with a soft dry cloth.

- Do not clean the product with chemicals such as thinners, gasoline and alcohol.
- When using a leather maintenance product (cleaning cloth) sold on the market, follow its directions for use.
- If the synthetic leather is very dirty, wipe it with the method below.

- ① Put a piece of soft cloth into water or 3% to 5% neutral detergent contained hot water and wring it out.
- ② Wipe surface of the synthetic leather with the soft cloth.
- ③ Wipe the detergent with a piece of cloth once soaked in clean water and wrung out.
- ④ Wipe with a piece of wrung soft cloth.
- ⑤ Have the synthetic leather take natural air drying.

- If it is difficult to remove the stains on the synthetic leather, soak a piece of melamine foam bought from the market into a neutral detergent and use it wipe the product.
- Do not dry the surface by a hair drier.
- Surface of the synthetic leather may be dyed by fabric colors; therefore, be careful when wiping the product with denim or colored cloth.
- Synthetic leather may discolor, so the position in contact with the hair dye used should be covered by a towel.



2. Cleaning of the plastic parts

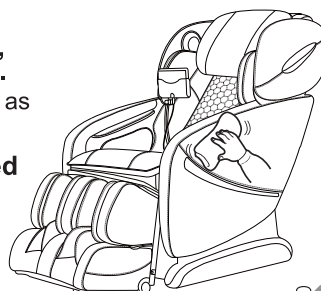
- 1) Put a piece of soft cloth into water or neutral detergent contained hot water, wring it out and wipe the plastic parts.

- Do not clean the product with chemicals such as thinners, gasoline and alcohol.

- 2) Wipe with a piece of cloth once soaked in clean water and wrung out.

- Wring the cloth out before using it to wipe the remote controller.

- 3) Have the plastic parts take natural air drying.



Troubleshooting

This page summarizes the most common problems you could encounter with the product. If you are unable to solve the problem with the information below, contact service center immediately.

If the problem encountered is not listed, please try the following suggestions:

1. Turn off the product and unplug it.
2. Wait for 60 minutes.
3. Plug the product back to the recommended outlet and restart.
4. If the problem persists, contact the authorized service center.

Problem	Possible Cause	Suggestion
The product does not work	The product is not plugged in properly.	Ensure the voltage on the product corresponds to the local mains voltage and then plug in again. Make sure the outlet is properly working.
The product stopped working	The product has just finished its auto timer session and has automatically switched to standby mode.	If you want another session, press the Power button again.
The product stopped working	You may have used the product continuously for 45 minutes where the over heat protection has been activated.	Unplug the product and let it cool down for 60 minutes before you use it again.
The product does not work	An excessive load has been applied on the product.	Reduce the excessive load and start again.
The product is abnormally warm	The product is likely to be overused.	Unplug the product and let it cool down before using it again.
Noise can be heard from the	Noise is made by the mechanical parts of the	This is normal and does not mean that the product is faulty.