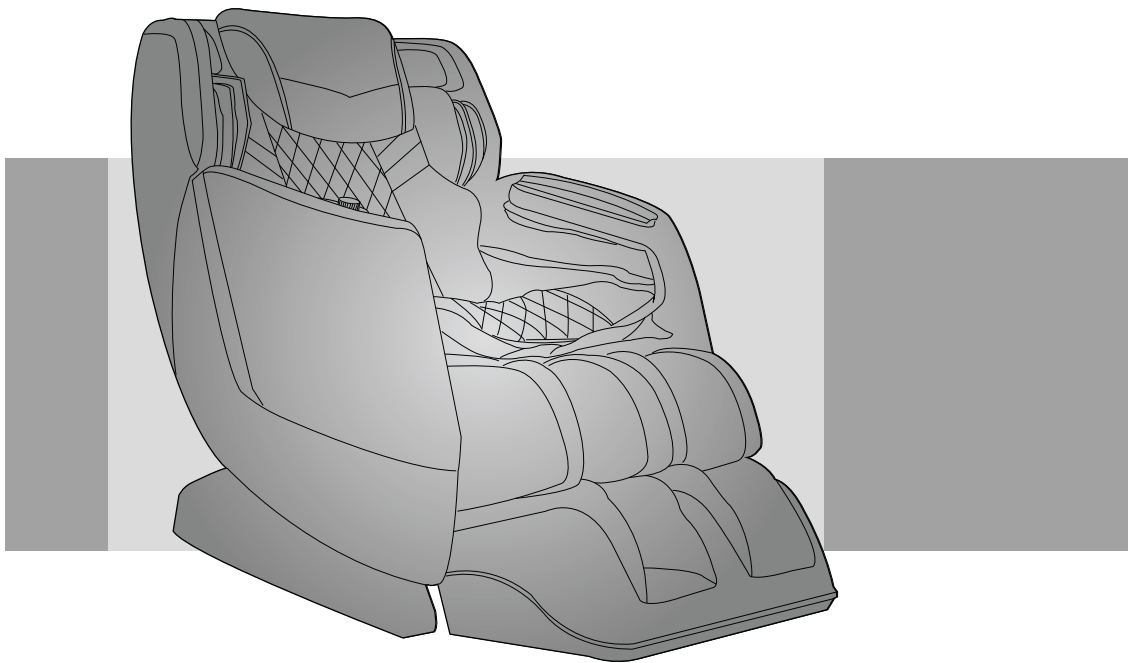


AmaMedic

Instruction Manual

AM-Juno II



Before operating this unit, please read these instructions completely.

Contents

Before Use

| | |
|---------------------------------------|-------|
| IMPORTANT SAFETY INSTRUCTIONS | 1-2 |
| Safety Precautions | 3 |
| FCC Radiation Exposure Statement..... | 4 |
| ISED warning | 5 |
| Chair Components | 6 |
| Setting up the massage chair | 7 |
| Chair Installation | 8-9 |
| Preparation before Use | 10-11 |

How to Use

| | |
|--|-------|
| Controller | 12 |
| Control Buttons on the side panel..... | 13 |
| How to Use..... | 14-17 |

Q&A / Important

| | |
|--------------------------------|----|
| Cleaning and maintenance | 18 |
| Troubleshooting | 19 |
| Grounding Instructions..... | 20 |
| Chair Specifications..... | 21 |

Thank you for purchasing this Massage Chair.
Before using your massage chair, please read the contents of this
instruction manual and refer to it when needed.

IMPORTANT SAFETY INSTRUCTIONS

When using an electrical appliance, basic precautions should always be followed, including the following:

Read all instructions before using (this appliance).

DANGER To reduce the risk of electric shock:

- Always unplug this appliance from the electrical outlet immediately after using and before cleaning.
- Never use pins or other metallic fasteners with this appliance.
- Carefully examine the covering before each use. Discard the appliance if the covering shows any sign of deterioration, such as checking, blistering, or cracking.
- Keep Dry – Do not operate in a wet or moist condition.

WARNING To reduce the risks of burns, fire, electric shock or injury to persons:

- An appliance should never be left unattended when plugged in. Unplug from outlet when not in use, and before putting on or taking off parts.
- Close supervision is necessary when this appliance is used by, on, or near children, invalids, or disabled persons.
- Use this appliance only for its intended use as described in this manual. Do not use attachments not recommended by the manufacturer.
- Never operate this appliance if it has a damaged cord or plug, if it is not working properly, if it has been dropped or damaged, or dropped into water. Return the appliance to a service center for examination and repair.
- Do not carry this appliance by supply cord or use cord as a handle.
- Keep the cord away from heated surfaces.
- Never operate the appliance with the air openings blocked. Keep the air openings free of lint, hair, and the like.
- Never drop or insert any object into any opening.
- Do not use outdoors.
- Do not operate where aerosol (spray) products are being used or where oxygen is being administered.
- To disconnect, turn all controls to the off position, then remove plug from outlet.
- Keep children away from extended foot support.
- Connect this appliance to a properly grounded outlet only. See Grounding Instructions.
- Use heated surfaces carefully. May cause serious burns. Do not use over insensitive skin areas or in the presence of poor circulation. The unattended use of heat by children or incapacitated persons may be dangerous.
- Do not operate under blanket or pillow. Excessive heating can occur and cause fire, electric shock, or injury to persons.

SAVE THESE INSTRUCTIONS

Safety Precautions

When using the massage chair, basic precautions should always be followed to reduce the risk of electric shock, burns, fire or injury to persons. Please read the following precautions before using the massage chair.

- Make sure the power plug is securely inserted into a proper electrical outlet to reduce the risk of short-circuit and fire.
- It is highly recommended that a surge protector is used to prevent from damage.
- DO NOT use the massage chair in areas where the humidity is high such as sauna steam rooms, pools, bathrooms, AC or heating vents, etc.
- DO NOT use the massage chair outdoors and avoid areas with direct sunlight.
- If the chair is not being used, turn the power switch to the OFF position and unplug the massage chair from the electrical outlet to prevent any damages to the chair when there are power outages/surges that may cause serious damage.
- Never plug/unplug the power cord plug socket with wet hands.
- Close and continuous supervision is necessary when the massage chair is used by, on or near children or disabled persons.
- No more than one person should use the massage chair at the same time.
- The massage chair is intended for use as described in the Instruction Manual. Do not use any attachments other than those recommended by the manufacturer.
- DO NOT attempt to stand or sit on the backrest, armrest or footrest in order to prevent accident, injury or damage to the chair.
- Avoid falling asleep while using the massage chair.
- Always keep the massage chair clean, and never insert any objects into or around the gaps of the massage chair
- DO NOT move the massage chair by pulling on the power supply cord.
- Make sure there are no children, pets or other obstacles behind or underneath the massage chair.
- If you find any rips or tears in the fabric of the massage chair, contact the service department and stop using the chair immediately.
- This massage chair is designed for household use and should not be used in non-residential settings

Safety Precautions

- Please consult your doctor if you are in doubt as to whether or not you should use this massage chair.
- Please consult a doctor before using the massage chair if you are pregnant, undergoing any medical treatment, using a medical electronic device such as a pacemaker, or are experiencing any of the following: malignant tumor, heart disease, back pain, abnormal or curved back bone, osteoporosis or acute illness.
- If you experience pain while using the massage chair, stop using the chair immediately and consult your doctor.
- Never use a massage function on swollen or inflamed parts of the body.
- DO NOT use the massage chair for more than 30 minutes at a time.
- DO NOT use the massage chair where aerosol(spray) products are being used or where oxygen is being administered.
- This massage chair is a non-professional product designed to provide a comfortable massage and should not be substituted for appropriate medical treatment
- Never operate the appliance with the air hoses that inflate while they are blocked. Keep the air openings free of lint, hair, and any other obstructions.
- Check the skin which is in contact with the heated area of the appliance frequently to reduce the risk of injury. If the heating pad malfunctions and extreme heat is produced it may cause serious burns.
- Burns may result from improper use. If this is the case immediately shut off the chair and unplug from the outlet.
- Remove all sharp objects from the body and pockets such as keys and pens.
- Keep children away from extended foot support (or other similar parts.)
- DO NOT WET-DO NOT USE PINS.
- NEVER REMOVE COVER

 **Caution**

The user's weight is usually limited to 220 lbs.

For those who are weighing 220 lbs or more, the product operations may make more noise and the fabric cover may wear out faster.

FCC Radiation Exposure Statement

FCC Radiation Exposure Statement: (mobile device)

This equipment complies with FCC radiation exposure limits set forth for an uncontrolled environment. In order to avoid the possibility of exceeding the FCC radio frequency exposure limits, Human proximity to the antenna shall not be less than 20cm (8 inches) during normal operation.

FCC STATEMENT

1. This device complies with Part 15 of the FCC Rules. Operation is subject to the following two conditions:
 - (1) This device may not cause harmful interference, and
 - (2) This device must accept any interference received, including interference that may cause undesired operation.
2. Changes or modifications not expressly approved by the party responsible for compliance could void the user's authority to operate the equipment.

This equipment has been tested and found to comply with the limits for a Class B digital device, pursuant to part 15 of the FCC Rules. These limits are designed to provide reasonable protection against harmful interference in a residential installation. This equipment generates, uses and can radiate radio frequency energy and, if not installed and used in accordance with the instructions, may cause harmful interference to radio communications. However, there is no guarantee that interference will not occur in a particular installation. If this equipment does cause harmful interference to radio or television reception, which can be determined by turning the equipment off and on, the user is encouraged to try to correct the interference by one or more of the following measures:

- Reorient or relocate the receiving antenna.
- Increase the separation between the equipment and receiver.
- Connect the equipment into an outlet on a circuit different from that to which the receiver is connected.
- Consult the dealer or an experienced radio/ TV technician for help.
- This equipment complies with FCC radiation exposure limits set forth for an uncontrolled environment .

ISED warning

This device complies with Innovation, Science, and Economic Development Canada licence-exempt RSS standard(s). Operation is subject to the following two conditions:

- (1) this device may not cause interference, and
- (2) this device must accept any interference, including interference that may cause undesired operation of the device.

Le présent appareil est conforme aux CNR d' Innovation, Sciences et Développement économique Canada applicables aux appareils radio exempts de licence.

L'exploitation est autorisée aux deux conditions suivantes :

- (1) l'appareil n' doit pas produire de brouillage, et
- (2) l'utilisateur de l'appareil doit accepter tout brouillage radioélectrique subi, même si le brouillage est susceptible d'en compromettre le fonctionnement.

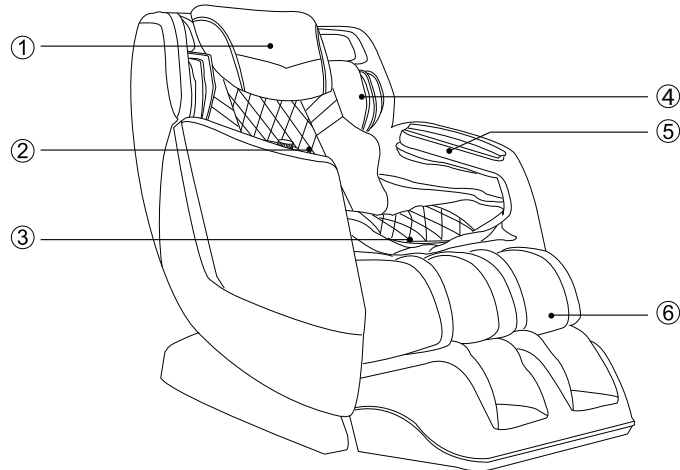
The device is compliance with RF exposure guidelines, users can obtain Canadian information on RF exposure and compliance.

Le présent appareil est conforme

Après examen de ce matériel aux conformité ou aux limites d'intensité de champ RF, les utilisateurs peuvent sur l'exposition aux radiofréquences et la conformité and compliance d'acquérir les informations correspondantes.

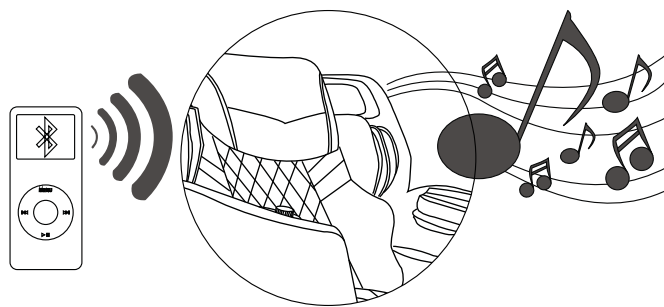
Chair Components

Front



- | | |
|----------------|---------------------------------|
| ① Pillow Pad | ④ Shoulder side massage section |
| ② Backrest Pad | ⑤ Hand and arm massage section |
| ③ Seat Cushion | ⑥ Legrest |

Bluetooth Speaker

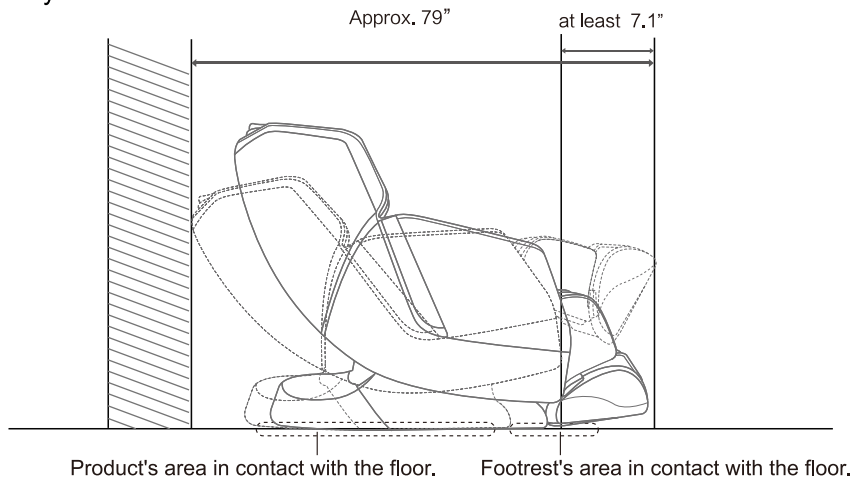


NOTE:

The bluetooth speaker can only connects with one bluetooth device at a time. Please turn off your bluetooth device after using so that other users can enjoy it as well.

Setting up the massage chair

- The chair provides a slide forward function that user can save space and place it very close to the wall.



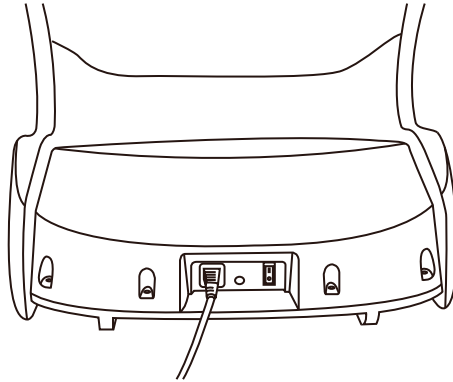
- Do not expose the massage lounger to direct sunlight or high temperatures, such as in front of heating sources, because this can cause discoloration or hardening of the synthetic leather.
- Place the unit on a mat to prevent floor damage.
- When placing a mat under the unit, the size of the mat should be sufficient (at least 71" x 35") to cover the areas where the unit touches and where the legrest could touch the floor, as shown in the diagram on the above.
- Install the unit near a power outlet.

Chair Installation

1.PREPARATION

This model is come with 2 boxes packing design : Box 1 contains main body and Box 2 contains footrest.

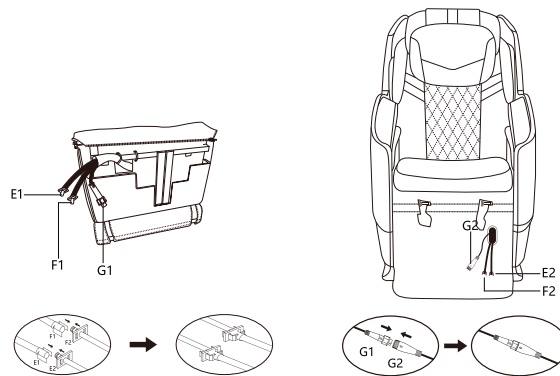
Connect the cable to outlet and chair .Switch ON the current,the chair will return back to the original position.(Caution:the assembly for footrest will be easy after the chair had returned to original position.Unplug the cable after the chaire return to original position).



2.Footrest assemble

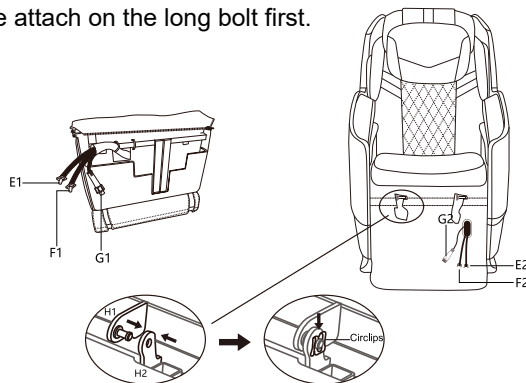
1.Connect the wire connectors and screw the cap tight.Then connect the air hose.
Caution:after the wire connector have been connected the cap must be screwed tight.

Chair Installation

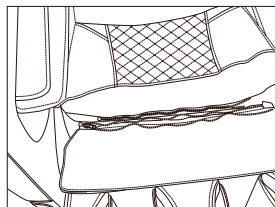


2.Remove the two circlips on the bolts,then attach the footrest onto the base and lock the circlips.

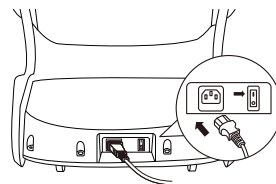
Caution:please attach on the long bolt first.



3.Zip the zipper between the seat pad and footrest.



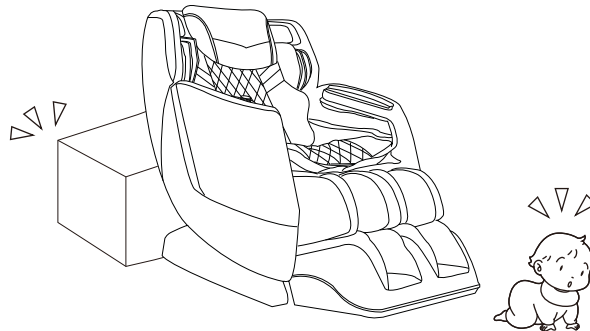
4.Connect the chair to a power supply turn on the power switch,the chair will be ready to start.



Preparation before Use

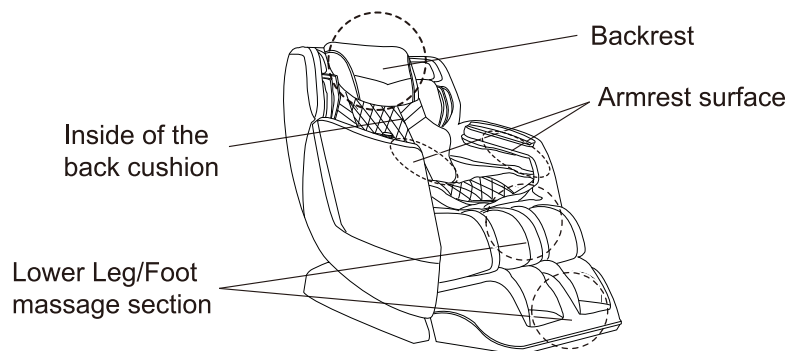
1. Check the space around the product.

Make sure there is no person, pet, or other object close to the product.



2. Make sure there is no foreign matter in the seams of the product.

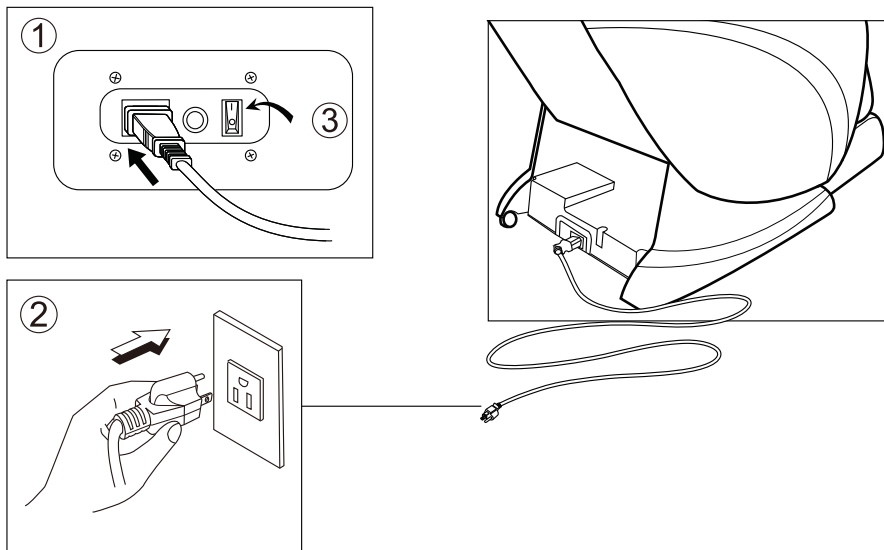
- Before sitting on the product, make sure there is no foreign matter between any two parts of it.
- Do not put hands, arms or head between the backrest and the back cover.
- Do not put pets on the product (such as its back cover, backrest and armrests).



Preparation before Use

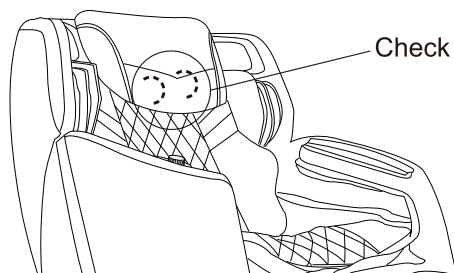
3. Power on the product

- ① Push the power connector into the appliance inlet till the end.
- ② Insert the power plug into the power outlet till the end.
- ③ Turn the switch to "I" position



4. Make sure the massage rollers are retracted.

If they are not, press ON button to return them to the retracting position.



How to Use

Controller



How to Use



Remark:the blue tooth button will light when the blue tooth is open,then remote will show blue tooth icon.



How to Use

How to Start

- Connect the power supply, and turn the switch to “I” position, chair is now in idle mode.
- During its idle mode only Power, Recline, Incline buttons can work.

Function Description

1. Power

- The power button starts and stops all functions on the massage chair.
- Press once, the chair is idle mode.
- Press again, all functions will stop, and massage rollers will return to original position.

2. Pause

- The pause button will allow all massage functions to stop temporarily.
- Press once, all the massage functions and timer will be stopped temporarily.
- Press again to resume the massage session.

3. Spot

- This key with two functions: one is for spot massage and one is for making roller upward.
- Press once, it will allow users to choose the exact position to massage.
- Hold the key and don't release, it will move roller upward. When the roller reach the position needed, stop holding the key.
- This can be applied to all massage selections.

4. Zone

- This key with two functions: one is for zone massage and one is for making roller downward.
- Press once, it will allow users to limit the massage in 12cm long to a particular body zone.
- Hold the key and don't release, it will move roller downward. When the roller reach the position needed, stop holding the key.

5/6. -/+

- Press each time to adjust intensity of Kneading Massage.

How to Use

7. Time

- The timer button controls the length of the massage session.
- The default time for all massage functions is 15 minutes.
- Press each time to change the length of the time in the following sequence:
20>25>30>5>10>15.

8. Zero Gravity

- Adjust the angle of the massage chair to zero gravity position.
Press to achieve position required. Press again to resume to original position.

9. Wake up

- Engages the Snooze Auto Program, based on the waist by Kneading, Shiatsu and other techniques.
- Help to shape up body and relieve stress.

10. Healthy

- Rolling and tapping will be activated at the area of mid and low back.
- Recommended for sore mid and low back.

11. Classic

- Engages the deep tissue massage to loosen up the muscles.

12. Revitalize

- This program focuses on neck, shoulder and hip by Rolling and Kneading, reduction of body fatigue.

13. Relax

- Combination of kneading and tapping massage kicks off the full body. With kneading and tapping, start from the head, down to the lower back, and focus on the buttocks.

How to Use

14.Stretch

- This function allows users to adjust the strength of massage.
- There are total 5 levels for your options.

15.Arm

- This function activated the air compression on arm area.

16.Shoulder

- This function activated the air compression on shoulder area.

17.Foot Air

- This function activated the air compression on foot area.

18.Vibrate

- This button control the vibration in seat area.

Press once to activate vibration.Press again to stop the vibration.

19.Recline

- This button controls recline angle of the massaging chair.
- Press once, the backrest and footrest will move to a horizontal reclining position.

20.Upright

- This button control incline angle of the massage chair.
- Press once, the backrest and footrest will move to an upright sitting.
- Press again to stop the product at your preferred angle.

21.Up

- Adjust back massage position.

Press the button to choose position of massage rollers when a "beep" sound alerts in 10 seconds.

Release the button once the desired position is achieved.

How to Use

22.Down

- Adjust back massage position.

Press the button to choose position of massage rollers when a "beep" sound alerts in 10 seconds.

Release the button once the desired position is achieved.

23.Speed

- Control the speed of Tapping, Kneading, Swedish, Shiatsu, Kneading and tapping massage.
- Select a massage function and press to select between 5 speeds.

24.Manual

- Controls Kneading, Tapping, Swedish, Shiatsu, Kneading and tapping ,Rolling massage.
- Press once to activate kneading massage of the full back.
- Each press of button, the massage mode changes in sequence: Tapping>Swedish>Shiatsu>Kneading and Tapping>Rolling.

25.Intensity

- This button allows users to adjust the intensity of airbag on the calves and feet area.
- There are five levels for your option.

26.Width

- This button allows you to control the width of the rollers.
- Select a massage function and press to adjust between Narrow, Normal and Wide widths.

Cleaning and maintenance

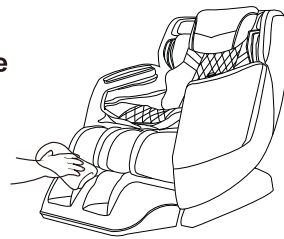
1. Cleaning of the synthetic leather

Wipe the synthetic leather with a soft dry cloth.

- Do not clean the product with chemicals such as thinners, gasoline and alcohol.
- When using a leather maintenance product (cleaning cloth) sold on the market, follow its directions for use.
- If the synthetic leather is very dirty, wipe it with the method below.

- ① Put a piece of soft cloth into water or 3% to 5% neutral detergent contained hot water and wring it out.
- ② Wipe surface of the synthetic leather with the soft cloth.
- ③ Wipe the detergent with a piece of cloth once soaked in clean water and wrung out.
- ④ Wipe with a piece of wrung soft cloth.
- ⑤ Have the synthetic leather take natural air drying.

- If it is difficult to remove the stains on the synthetic leather, soak a piece of melamine foam bought from the market into a neutral detergent and use it wipe the product.
- Do not dry the surface by a hair drier.
- Surface of the synthetic leather may be dyed by fabric colors; therefore, be careful when wiping the product with denim or colored cloth.
- Synthetic leather may discolor, so the position in contact with the hair dye used should be covered by a towel.



2. Cleaning of the plastic parts

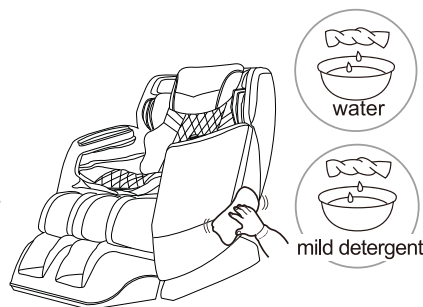
1) Put a piece of soft cloth into water or neutral detergent contained hot water, wring it out and wipe the plastic parts.

- Do not clean the product with chemicals such as thinners, gasoline and alcohol.

2) Wipe with a piece of cloth once soaked in clean water and wrung out.

- Wring the cloth out before using it to wipe the remote controller.

3) Have the plastic parts take natural air drying.



Troubleshooting

This page summarizes the most common problems you could encounter with the product. If you are unable to solve the problem with the information below, contact service center immediately.

If the problem encountered is not listed, please try the following suggestions:

1. Turn off the product and unplug it.
2. Wait for 60 minutes.
3. Plug the product back to the recommended outlet and restart.
4. If the problem persists, contact the authorized service center.

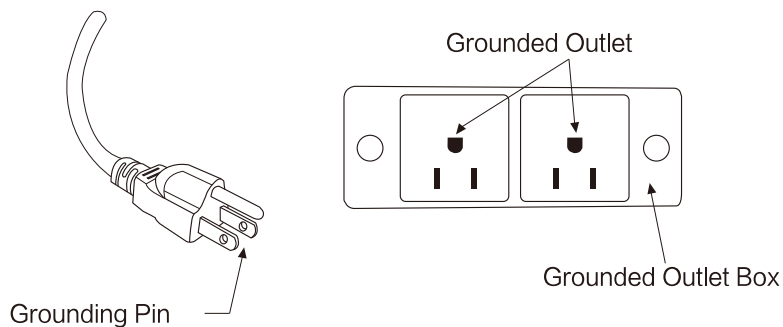
| Problem | Possible Cause | Suggestion |
|-------------------------------------|--|--|
| The product does not work | The product is not plugged in properly. | Ensure the voltage on the product corresponds to the local mains voltage and then plug in again. Make sure the outlet is properly working. |
| The product stopped working | The product has just finished its auto timer session and has automatically switched to standby mode. | If you want another session, press the Power button again. |
| The product stopped working | You may have used the product continuously for 45 minutes where the over heat protection has been activated. | Unplug the product and let it cool down for 60 minutes before you use it again. |
| The product does not work | An excessive load has been applied on the product. | Reduce the excessive load and start again. |
| The product is abnormally warm | The product is likely to be overused. | Unplug the product and let it cool down before using it again. |
| Noise can be heard from the product | Noise is made by the mechanical parts of the product. | This is normal and does not mean that the product is faulty. |

Grounding Instructions

This product must be grounded. If it should malfunction or break down, grounding provides a path of least resistance for the electric current to reduce the risk of electric shock. This product is equipped with a cord with an equipment-grounding conductor and a grounding plug. The plug must be plugged into an appropriate outlet that is properly installed and grounded in accordance with all local codes and ordinances.

Danger-Improper connection of the equipment-grounding conductor can result in a risk of electric shock. Check with a qualified electrician or service technician if the product will not fit the outlet, have a proper outlet installed by a qualified electrician.

This product is for use on a nominal 120V circuit and has grounding plug that looks like that plug illustrated below. Make sure that the product is connected to an outlet having the same configuration as the plug. No adapter should be used with this product.



Chair Specifications

| Description | Specifications |
|-----------------------------|------------------------------------|
| Model No. | AM-Juno II |
| Rated Voltage | 110-120V~ |
| Rated Frequency | 60Hz |
| Rated Power Consumption | 130W |
| Rated Time | 15 minutes |
| Dimensions(L x W x H) | Upright:57.1" x 29.5" x 42.9" |
| | Reclined:67.3" x 29.5" x 33.5" |
| Weight | Gross Weight: Approx.213.8lbs |
| | Net Weight: Approx.177.5lbs |
| Length of Wire | Controller wire: 59.0" |
| | Power supply wire: 70.9" |
| Usage Condition | Environment temperature: 32°F~95°F |
| | Contrasting humidity: 20-80RH |
| Storage Condition | Storage temperature: 23°F~95°F |
| | Storage humidity: 20-80RH |
| Safety Feature | Equipped with overheated and power |
| Maximum body weight of user | 220 lbs |

This equipment contains a certified radio transmission module:

FCCID: 2AOC9-ZENBDM10A

ICID: 27631-ZENBDM10A

