



Video Doorbell Installation Guide

Use this guide to assist with the installation of your ADC-VDB770 video doorbell.

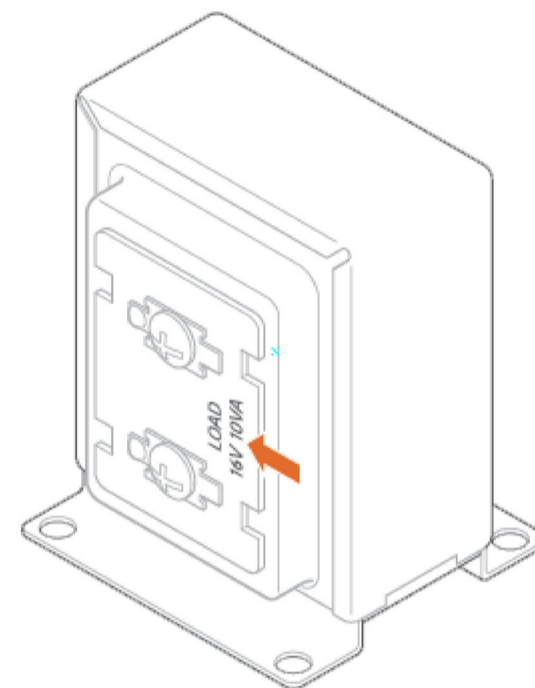
In the Box

- ADC-VDB770 Video Doorbell
- ADC-VDB770 backplate with wire extenders
- Removal tool (for removing the Video Doorbell from the backplate after installation)
- Mounting brackets (3)
- Mounting wall screws (2)
- Mounting wall anchors (2)
- Mounting machine screws (2)
- Wire connectors (6)
- Power Module labeled PMV 1040 or higher (must be installed on all configurations)
- Power module adhesive
- Installation guide
- Reference card



Pre-Installation Checklist

- Existing mechanical or digital chime (8-12 VAC input)
- If the chime requires more than 12 VAC input or less than 8 VAC input, it is not compatible with the international power module. Please replace the chime with a compatible model.
- ADC-VDB770 and included accessories
- Wire crimping tool
- Wi-Fi connection to broadband (Cable, DSL, or Fiber Optic) internet
- A computer, tablet, or smartphone with Wi-Fi is required if the router does not have the Wi-Fi Protected Setup (WPS) feature
- Verify that your transformer is 16 - 30 VAC, 10 - 30 VA output; specifications are often written directly on the transformer



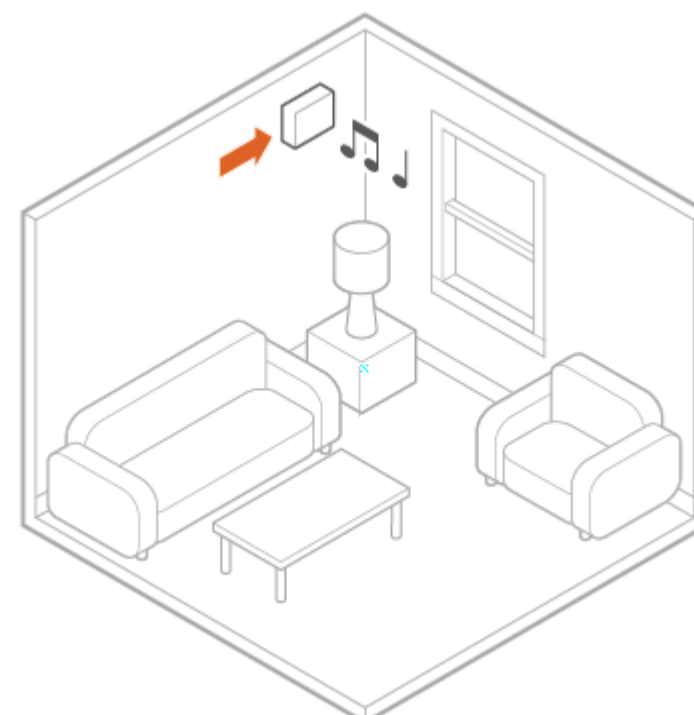
Installation

Install the power module

1. Verify that the electricity is turned off at the transformer before installing the power module. Locate your chime box and remove the cover.
2. Note the existing wire connections (e.g., the wires may be connected to the Front or Rear doorbell terminal); you will want to connect to the same doorbell terminal in the next step. Loosen the screws on the chime associated with the transformer and doorbell. Set the wires aside.

► **Click to expand.**

Follow these steps if the existing chime is mechanical. (*You can tell if you have a mechanical chime by removing the cover and checking to see if there is a metal chime that is physically hit by a strike.*)



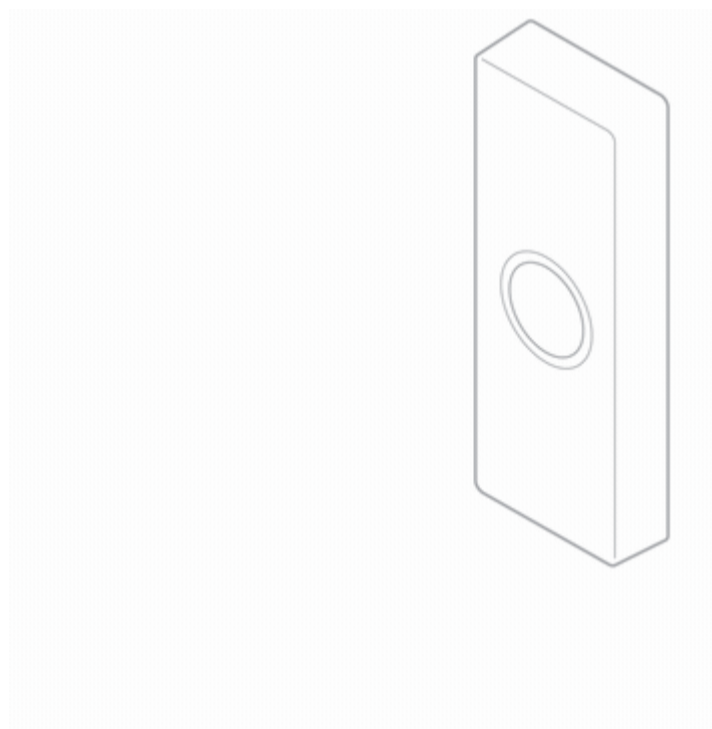


Follow these steps if the existing chime is digital. (You can tell if you have a digital door chime by removing the cover and checking to see if there is a speaker that plays the doorbell sound.)

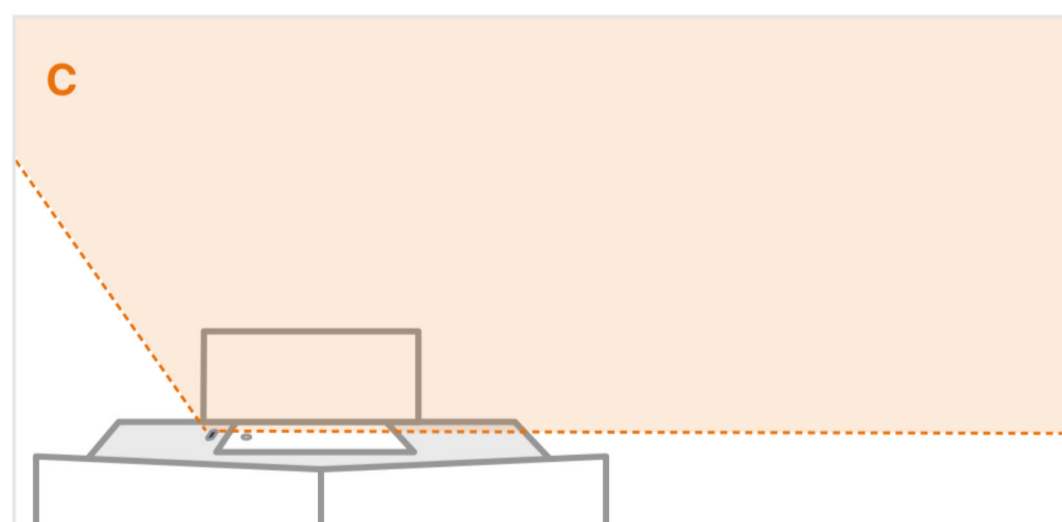
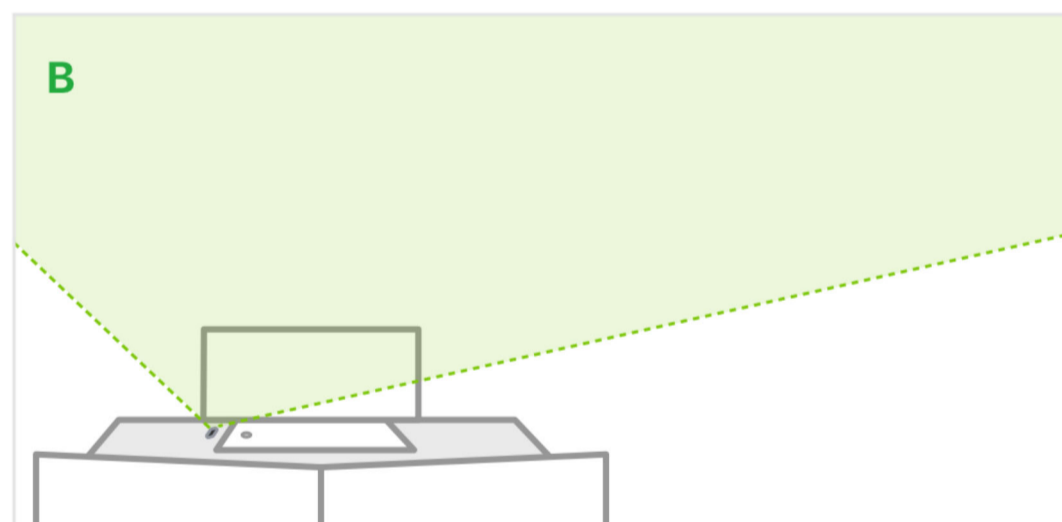
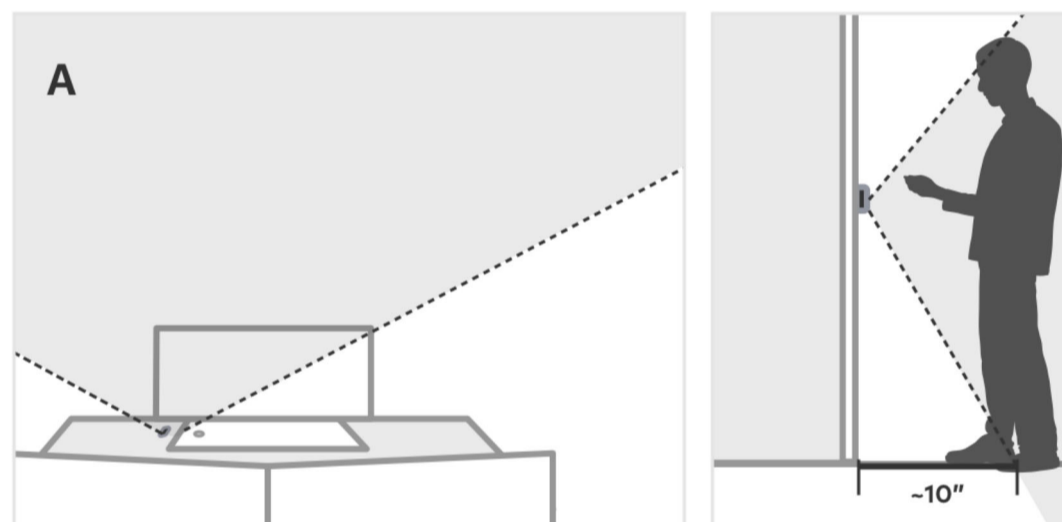
For details on compatible chimes go to [Alarm.com/doorbell/chime](https://www.alarm.com/doorbell/chime).

Install the Video Doorbell

1. Remove the existing doorbell from the wall and disconnect the wires. Secure the wires so that they can be connected in a later step.

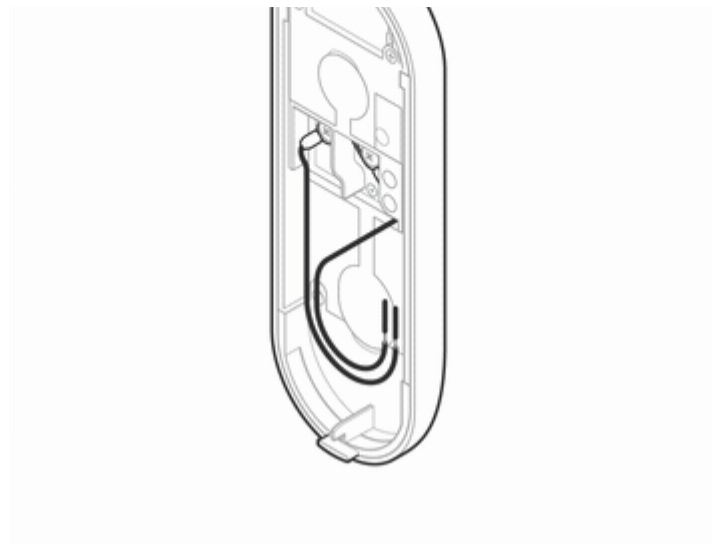


2. At the installation location, an angled mounting bracket can be used to modify the field of view. Choose a mounting bracket type best suited for your installation setup. Installation scenarios corresponding to mounting bracket types A, B, and C are provided below to guide your decision. See [mounting guide for more information](#).

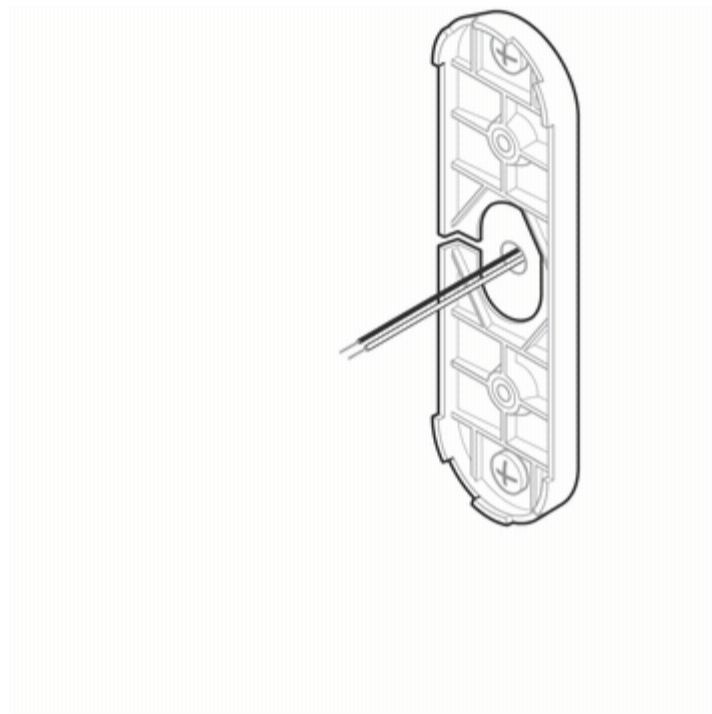


3. Thread the existing wires through the mounting bracket. Install the mounting bracket to the wall using the included wall screws (and anchors, if needed for the mounting surface).

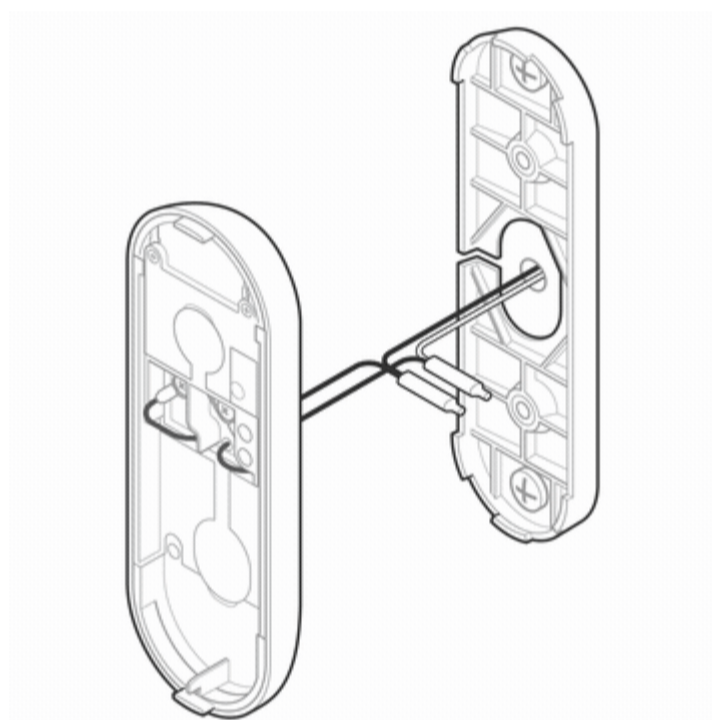




5. Crimp the two wires coming through the backplate to the existing wires threaded through the mounting bracket.



6. Install the doorbell backplate to the mounting bracket using the included machine screws.



7. Attach the doorbell to the backplate by aligning and pushing together until it clicks into place and the connection is well sealed.
8. Turn the electricity back on. Check that the doorbell camera's light is flashing white after the boot process is complete.



Note: If the LED is solid red after booting, press and hold the button until the light begins alternating green and red (~75s).

Connect the Video Doorbell to the network

AP Mode (recommended)

1. The camera is in Access Point (AP) mode when the button LED is blinking white. If necessary, access AP mode by holding down the doorbell button for 45-50s and release when the LED turns to blinking white.
2. Using a Wi-Fi-capable device (e.g., smartphone or computer), find and connect to the camera's network; the SSID should have the format ADC-VDB770 (XX:YY:ZZ) where XX:YY:ZZ is the last 6 characters of the MAC address, which is printed on the included reference card.
3. On the same device, open a web browser and enter <http://vdb770install> in the web address field. Follow the on-screen instructions to add the ADC-VDB770 to the Wi-Fi network. Verify the LED turns solid green, indicating the connection is complete.

WPS Mode (alternate)





to blink blue.










2. Activate WPS Mode on the router. The doorbell will begin to connect to the Wi-Fi network. Verify the LED turns to solid green, indicating the connection is complete.

Enroll the Video Doorbell to the account

1. Add the device to the account by selecting the account in MobileTech, by using the customer Mobile App, or by using a web browser and entering the following web address: www.alarm.com/addcamera.
2. Select the Video Doorbell from the video device list or enter in its MAC address to begin adding the device. The device's MAC address is located on the included reference card.
3. Follow the on-screen instructions to finish adding the device.

Button Behavior

Button light guide

LED pattern	Description
 Off	Power off
 Blinking yellow	Camera power cycling
 Solid red	No local or Internet connection
 Blinking red	Power on, camera booting
 Alternating red & green	Camera resetting to factory default
 Solid green	Connected to Alarm.com
 Blinking green	Local network connection
 Blinking blue	WPS mode
 Blinking white	Wi-Fi Access Point mode

Button functions

Use this table for Video Doorbells with firmware version 2160 or later.

Button push duration	LED pattern	On button release
0-30s	Current State (no mode)	None
30-35s	Blinking Blue	Enter WPS Mode
35-40s	Blinking White	Enter AP Mode
40-45s	Blinking Yellow	Power Cycle
45-50s	Green/Red Alternating	Factory Reset
>50s	Current State (no mode)	None

Use this table for Video Doorbells with firmware versions before 2160.

Button push duration	LED pattern	On button release
0-30s	No change (current state)	None
30-45s	Blinking Blue	Enter WPS Mode
45-60s	Blinking White	Enter AP Mode
60-75s	Blinking Yellow	Power Cycle
>75s	Green/Red Alternating	Factory Reset

Note: If the indoor chime is enabled for the device, holding down the button will trigger a single indoor chime immediately after being pressed. If desired, the indoor chime can be disabled through the Customer Website before pressing the button to initiate one of the above modes.





2. If issues persist, factory reset the Video Doorbell by pressing and holding the doorbell button until the LED starts blinking red and green (~75s). The device will reboot with factory defaults.

Important: If the device was previously installed to an Alarm.com account, it will need to be deleted before it can be installed again.

If the mounting bracket needs to be replaced with a different angled variety to improve the field of view, uninstall the backplate, replace the mounting bracket (while leaving the wires connected), and reinstall the backplate to the new mounting bracket.



FCC Statement

This equipment has been tested and found to comply with the limits for a Class B digital device, pursuant to Part 15 of the FCC rules. These limits are designed to provide reasonable protection against harmful interference in a residential installation. This equipment generates, uses, and can radiate radio frequency energy and, if not installed and used in accordance with the instructions, may cause harmful interference to radio communications. However, there is no guarantee that interference will not occur in a particular installation. If this equipment does cause harmful interference to radio or television reception, which can be determined by turning the equipment off and on, the user is encouraged to try to correct the interference by one or more of the following measures:

- Reorient or relocate the receiving antenna
- Increase the separation between the equipment and receiver
- Connect the equipment into an outlet on a circuit different from that to which the receiver is connected
- Consult the dealer or an experienced radio/TV technician for help

FCC Caution: Any changes or modifications not expressly approved by the party responsible for compliance could void the user's authority to operate this equipment. This device complies with Part 15 of the FCC Rules. Operation is subject to the following two conditions:

1. This device may not cause harmful interference, and
2. This device must accept any interference received, including interference that may cause undesired operation

This device and its antenna(s) must not be co-located or operating in conjunction with any other antenna or transmitter. For product available in the USA/Canada market, only channel 1-11 can be operated. Selection of other channels is not possible.

FCC Radiation Exposure Statement: This equipment complies with FCC radiation exposure limits set forth for an uncontrolled environment. This equipment should be installed and operated with minimum distance 20cm between the radiator & your body.



Copyright © 2000-2021, Alarm.com. All rights reserved.
Alarm.com and the Alarm.com Logo are registered trademarks of Alarm.com.

