

Date: 2 January 2024

Nemko North America, Inc.

Subject: **NFC Antenna**
Product Name: PoE Video Doorbell; FCC ID: YL6VDB755P

To whom it may concern:

The ADC-VDB755P uses a Radar antenna that has the following characteristics:

Antenna Design and Diagram

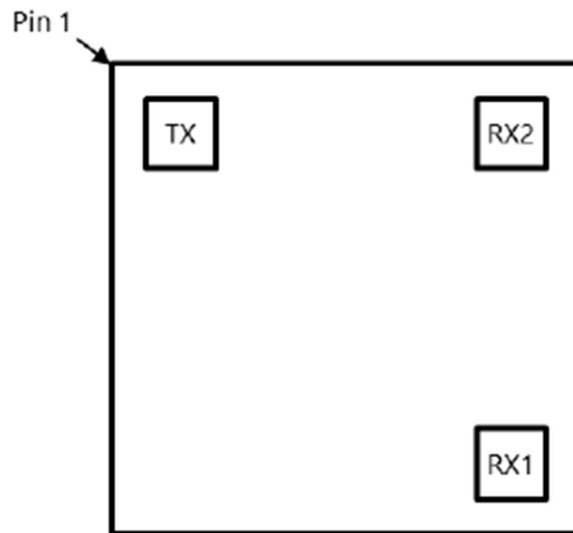


Figure 2-3 Top View Antenna configuration (Not to scale)

The ADC-VDB755P radar antenna is integrated into the modular package of the SC1233A. The antenna locations are noted above. The block diagram is noted below:

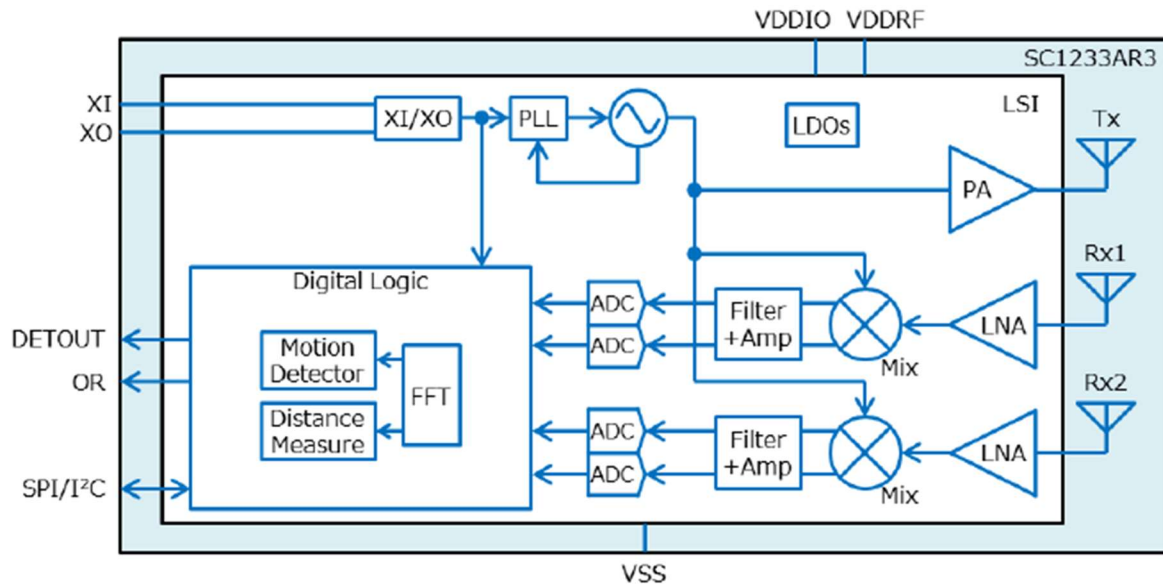


Figure 2-1 Block diagram

Antenna Characteristics

The antenna operates at a frequency of 24.15GHz with a maximum bandwidth of 180MHz. The maximum TX antenna gain is 2dBi. The maximum transmit power is 2dBm. The operating range of the module is 24.06GHz to 24.24GHz.