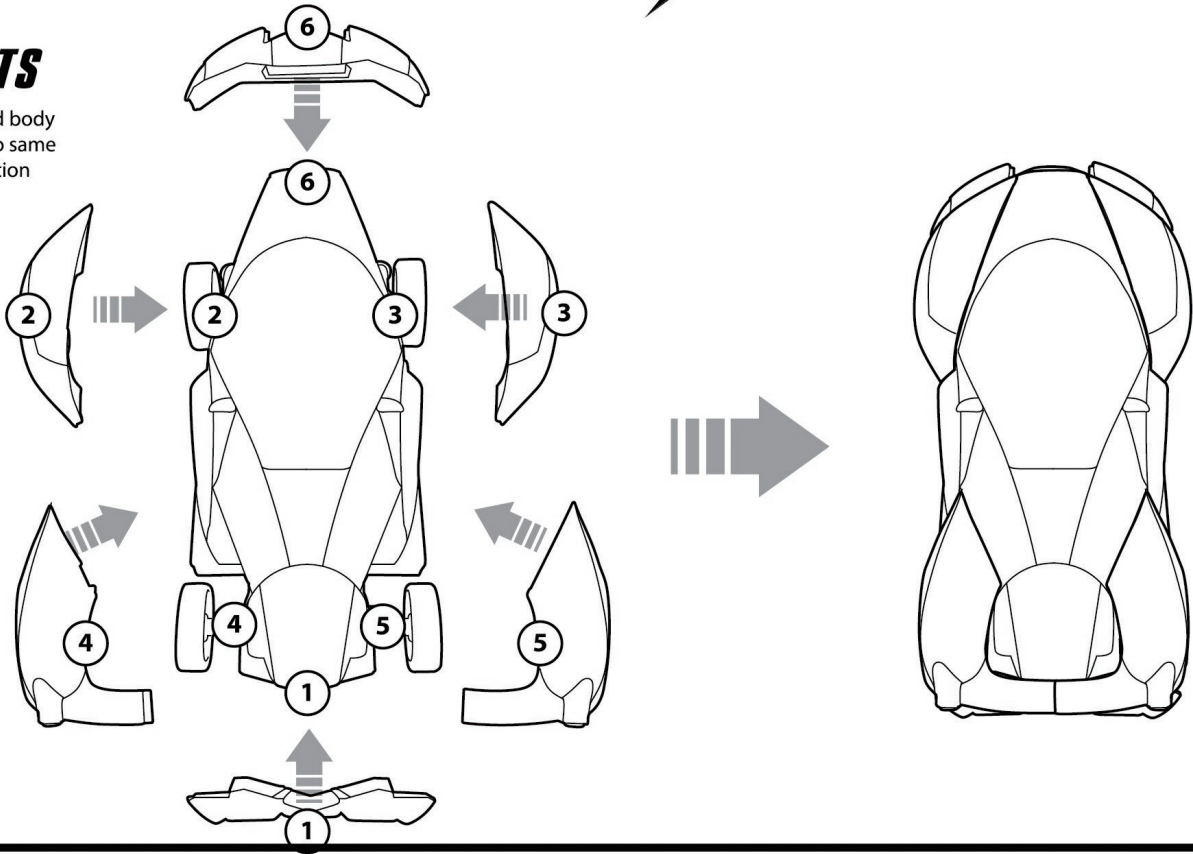


# TURBO TWISTER CRASHNETIX

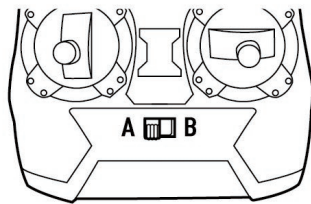
## MAGNETS

Match engraved body part numbers to same numbered location on car body



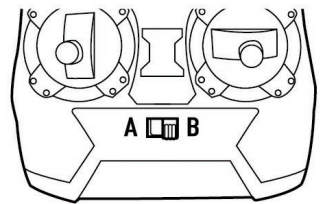
## NORMAL

Slide button to the left for normal speed, which will allow for magnetic pieces to pop off when colliding with objects individually.



## TURBO

Slide button to the right to enter Turbo Mode, Race Crashnetix into objects at full speed to pop off all magnetic pieces simultaneously.



## PAIRING

### Single Vehicle with remote:

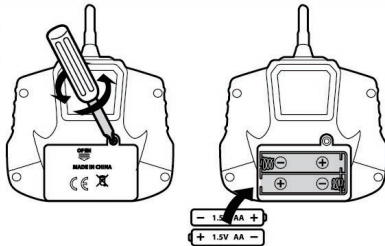
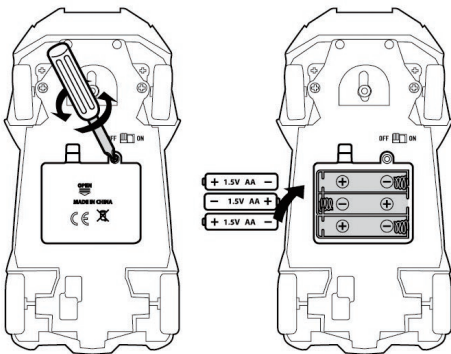
When purchasing a single unit, place batteries in both remote and vehicle. Turn the vehicle ON. The remote will automatically pair with the vehicle. Move joysticks around to initiate pairing.

### Multiple Vehicles:

Please follow same steps as single vehicle but ensure that each vehicle and remote are paired at least 30 feet away and with the 2nd vehicle and remote turned OFF (for remote to be in off, the batteries need to be removed as it has no ON/OFF button).

## BATTERIES

**\*BATTERIES ARE NOT INCLUDED**



This device complies with Part 15 of the FCC Rules. Operation is subject to the following two conditions: (1) this device may not cause harmful interference, and (2) this device must accept any interference received, including interference that may cause undesired operation.

Warning: Changes or modifications to this unit not expressly approved by the party responsible for compliance could void the user's authority to operate the equipment.

NOTE: This equipment has been tested and found to comply with the limits for a Class B digital device, pursuant to Part 15 of the FCC Rules. These limits are designed to provide reasonable protection against harmful interference in a residential installation. This equipment generates, uses and can radiate radiofrequency energy and, if not installed and used in accordance with the instructions, may cause harmful interference to radio communications. However, there is no guarantee that interference will not occur in a particular installation. If this equipment does cause harmful interference to radio or television reception, which can be determined by turning the equipment off and on, the user is encouraged to try to correct the interference by one or more of the following measures:

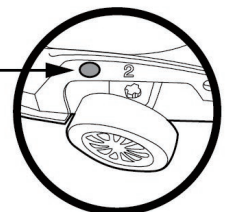
- Reorient or relocate the receiving antenna.
- Increase the separation between the equipment and receiver.
- Connect the equipment into an outlet on a circuit different from that to which the receiver is connected.
- Consult the dealer or an experienced radio/TV technician for help.

The device must not be co-located or operating in conjunction with any other antenna or transmitter.

## MAGNETIC SAFETY DISCLAIMER:

PLEASE NOTE THAT ALL OF THE VISIBLE METALLIC PIECES LOCATED ON THE VEHICLE ARE METAL AND NOT MAGNETS. THE ONLY MAGNETS INCLUDED ARE ENCAPSULATED WITHIN THE DETACHABLE 6 FENDER/BUMPERS.

**THIS IS NOT  
A MAGNET**



MINDSCOPE PRODUCTS  
PO BOX 9525, GLENDALE, CA 91266  
Tested & Safe for 3+, Fun for 5+  
Product and color may vary from images on package

**MINDSCOPE**  
PRODUCTS