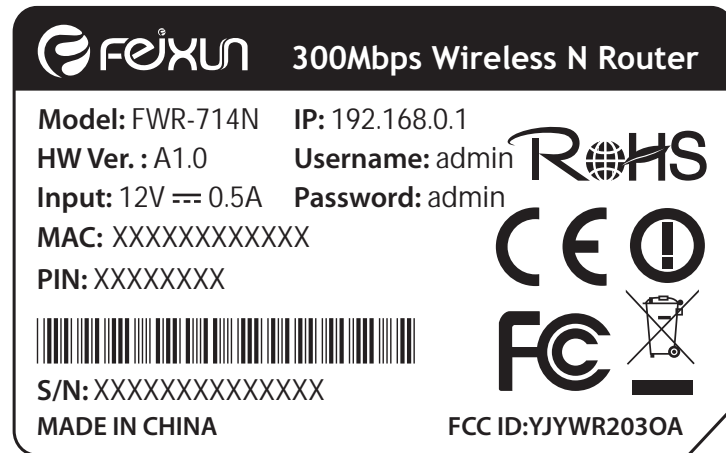
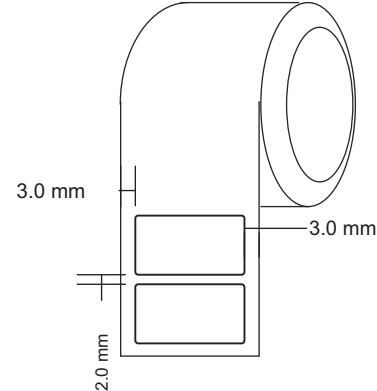
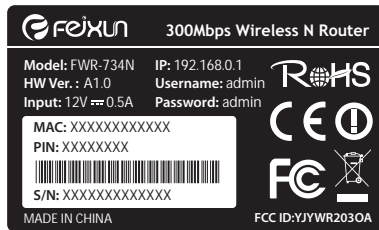
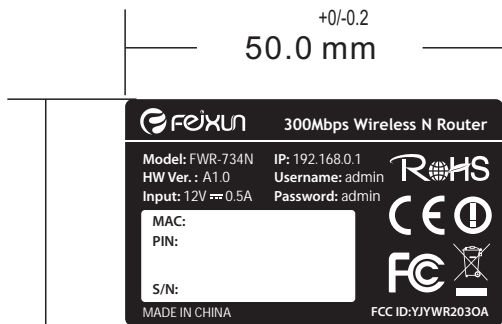
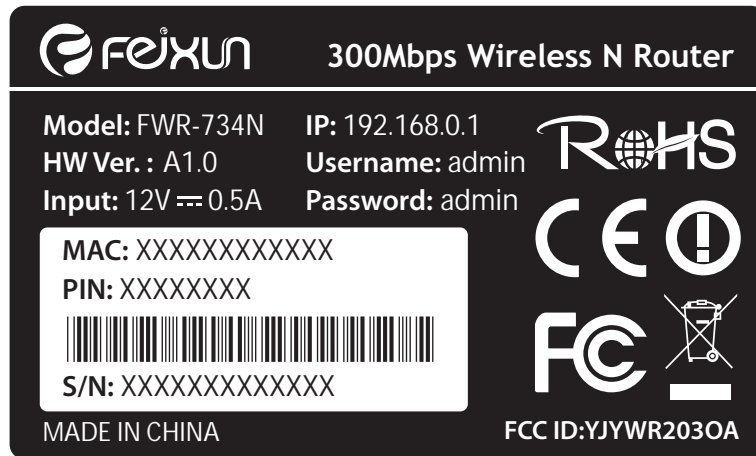


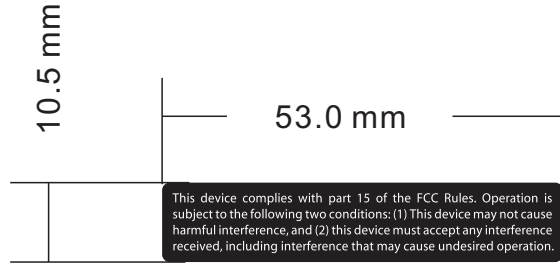
SCALE:2:1





SCALE:2:1





This device complies with part 15 of the FCC Rules. Operation is subject to the following two conditions: (1) This device may not cause harmful interference, and (2) this device must accept any interference received, including interference that may cause undesired operation.

SCALE:2:1

FWR-714N Label Location

FEIXUN 300Mbps Wireless N Router

Model: FWR-714N	IP: 192.168.0.1
HW Ver.: A1.0	Username: admin
Input: 12V ~ 0.5A	Password: admin
MAC:	
PIN:	
S/N:	

CE RoHS MADE IN CHINA

This device complies with part 15 of the FCC Rules. Operation is subject to the following two conditions: (1) This device may not cause harmful interference, and (2) this device must accept any interference received, including interference that may cause undesired operation.

FWR-734N Label Location

REHLN 150Mbps Wireless N Router

Model: FWR-734N
Firmware: 1.01.0
Input: 12V ~ 0.5A

IP: 192.168.0.1
Username: admin
Password: admin



MAC:
PIN:
S/N:

CE
RoHS
MADE IN CHINA

This device complies with part 15 of the FCC Rules. Operation is subject to the following two conditions: (1) This device may not cause harmful interference, and (2) this device must accept any interference received, including interference that may cause undesired operation.