

Page 2

Power &
LED Circuits

EEPROM
24C01

Initial PIN setting

SCL
SDA

IP178C&D

8Port 10/100M With PHY
Switch Controller

128 Pin QFP

25MHz
Crystal

(PWM)
Regulator

MDI/MDIX

Port 1 ~ 8 RJ45

AC 110V -->
DC 5V/1A~
12V/500mA
Power Adapter

IC Plus Corp.

Title

IP178D Demo Board_Block Diagram

Size

Document Number

Rev

IP178D_D2V

0.5

Date:

Wednesday, November 18, 2009

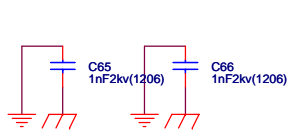
Sheet

1

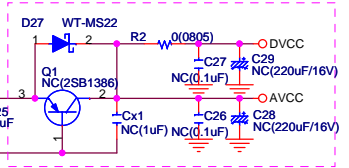
of

2

1

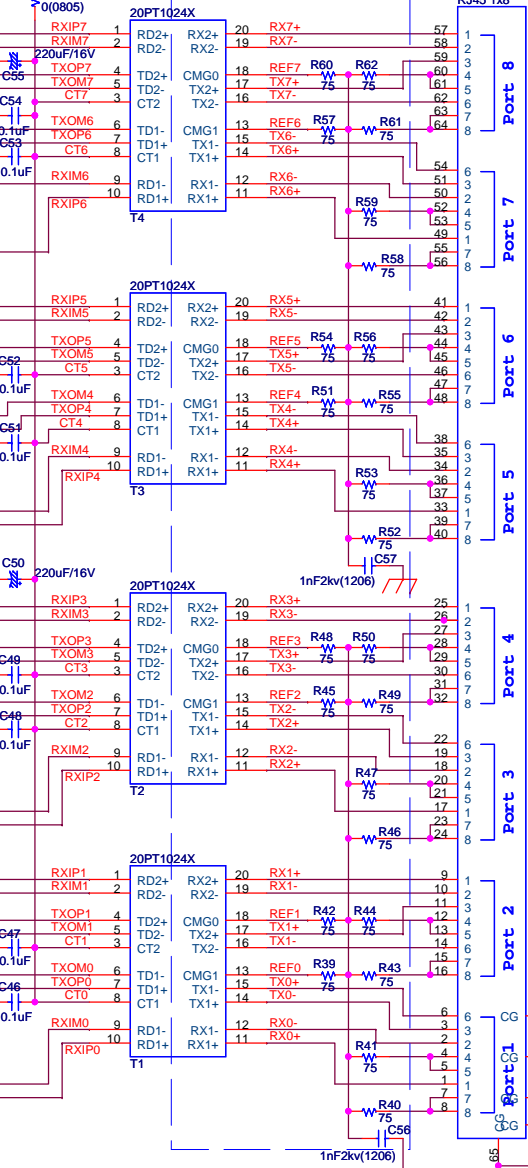


POWER CIRCUIT2

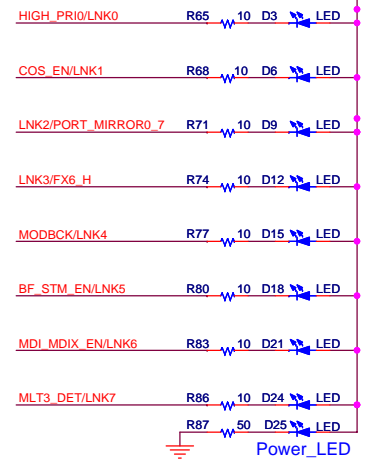


TRANSFORMER&RJ45 CIRCUITS

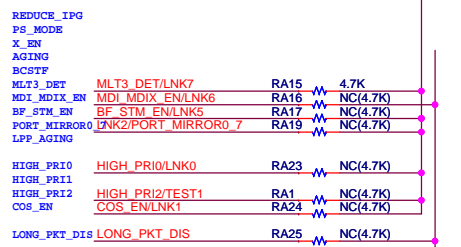
Keep over then 80-mil space with any signal and power or grung for ESD issue



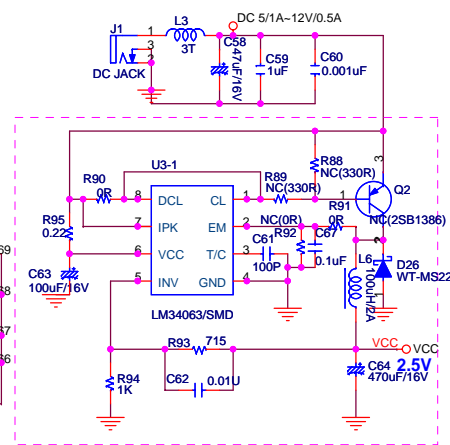
LED CIRCUIT



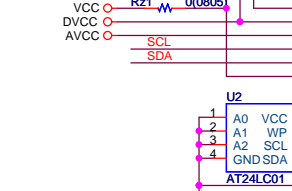
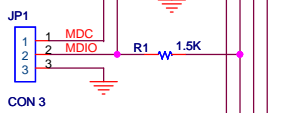
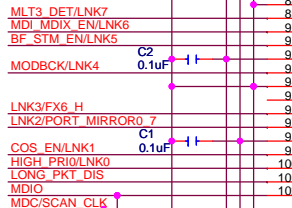
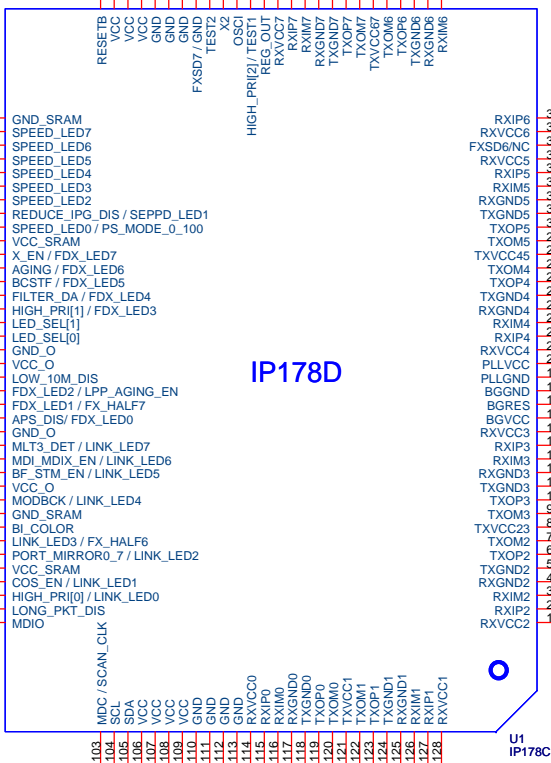
Setting



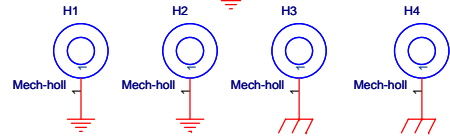
POWER CIRCUIT1



IP178D



EEPROM



IC Plus Corp.		
Title IP178D Demo Board Application Circuits		
Size	Document Number IP178D_D2V	Rev 0.5
Date:	Wednesday, November 18, 2009	Sheet 2 of 2