

Product specification book



specification number	2021081801
effective date	2021/8/18

name	Dongguan Hengguang Weiye electronic Technology Co., LTD
product type	A11 Coil 50 double slotted bare copper
Hui Boya material number	TX-HG20210818001-K7.1-L40 Open double slot bare copper
Customer Material Number	HGWY-A110801

【 New edition issued, 】 【 This specification includes 3 pages 】 【 RoHS Compliant Parts 】

authorized personnel	check	approver
Wang Haiqiong		

Anfu Hui Boya Electronics Co., LTD

This acknowledgement must be signed and returned within 30 days after the customer receives it, and overdue production shall be regarded as following the standards of this acknowledgement.

【Customer approval】

Date:

Recognition status: Full recognition Condition recognition Rejection

approver	check	recheck	check

explain:

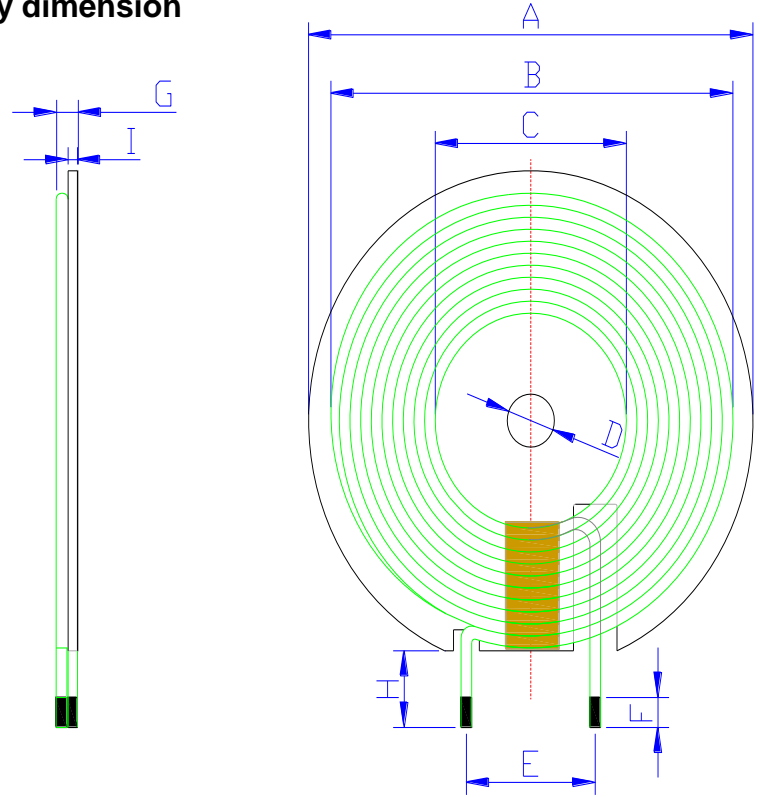
Product specification book

Name	Hengguang Weiye electronic Technology	Customer Part Number	HGWY-A110801
Boya material num	TX-HG20210818001-K7.1-L40	specification number	20210818001
Issuance/revision records			
versions	effective date	Content/Reason for change	authorizer
01	2021/8/18	New specification issue	
authorized personnel		check	approver

Product specification book

Name	Dongguan Hengguang Weiye electronic Technology Co., LTD	Customer Part Number	HGWY-A110801		
Hui Boya material number	TX-HG20210818001-K7.1-L40	specification number	20210818001	versions	01

◆ boundary dimension



(unit: mm)

A	50.0 ±1.5
B	40.0 ±1.5
C	20.5 ±1.5
D	5.3Ref ±0.5
E	10.0 Ref
F	3.0 ±1.0
G	2.7 ±0.2
H	40.0 ±1.0
I	±0.2(Diskette 1.0 thickness)

(1) Wire diameter: 0.08*105P silk-covered
(2) Winding number :10TS
(3) Whether the starting and ending line
(4) Coil package 8mm wide high-tempe
(5) The coil and magnetic disc need to b

◆ electrical specification:

parameter	specification	test condition	test instrument
L0	7.1 ±0.5% μH	100KHz/1V	■TH1816B
Q	>80 min	100KHz/1V	■TH1816B
DCR	<60 mΩ	@ 25℃	■CH-502BC

temperature grade:

operating temperature	-40℃~ 125℃
-----------------------	------------

bill of materials:

NO.	Name	material specification	supplier	Note
1	magnetic sheet	50*5.3*0.8T open slot	PC40 hydrazin	
2	copper wire	0.08*105P	Acrylic copper silk-covered wire	
3	high-temperature tape	8MM	Green Rubber Belt	
4	tin	107H	Thousand island environmental tin	
5	glue	yellow glue	eco-friendly adhesive	
6	glue	49 Round double-sided tape		

authorized personnel	check	approver
-----------------------------	--------------	-----------------