

1

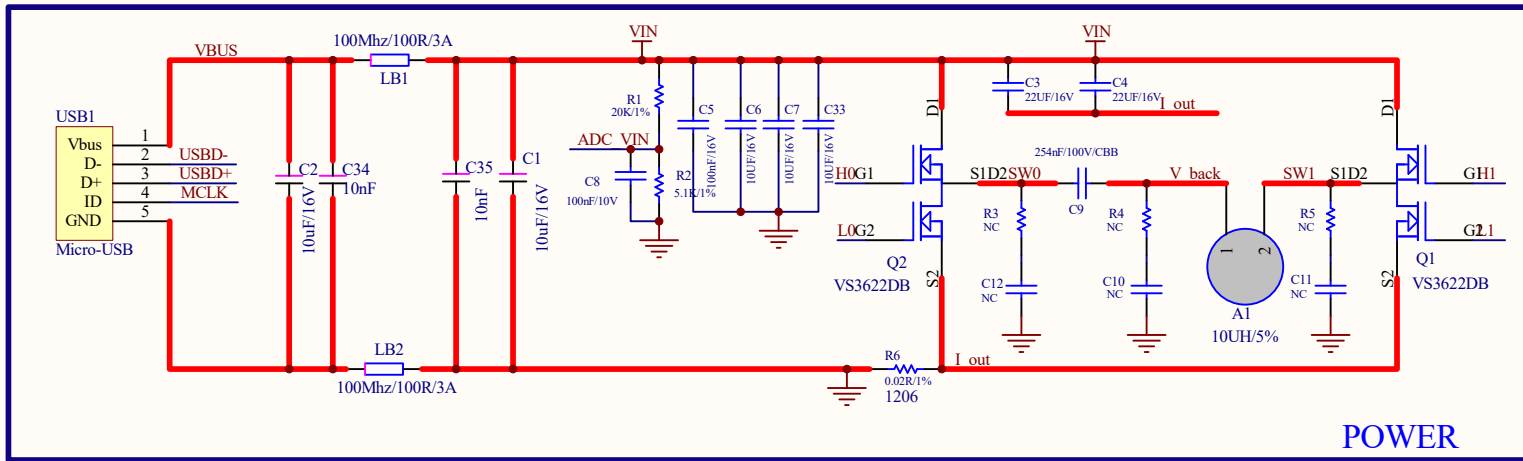
2

3

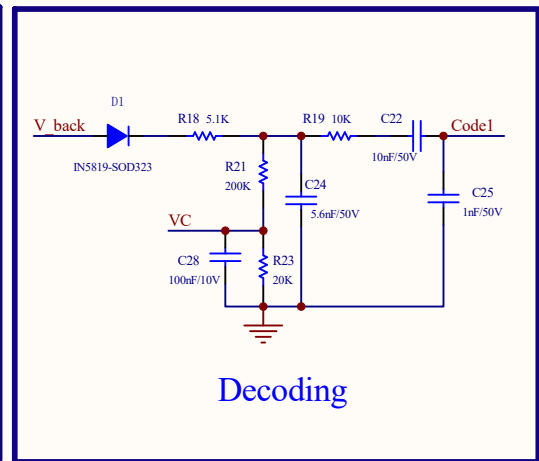
4

D

D



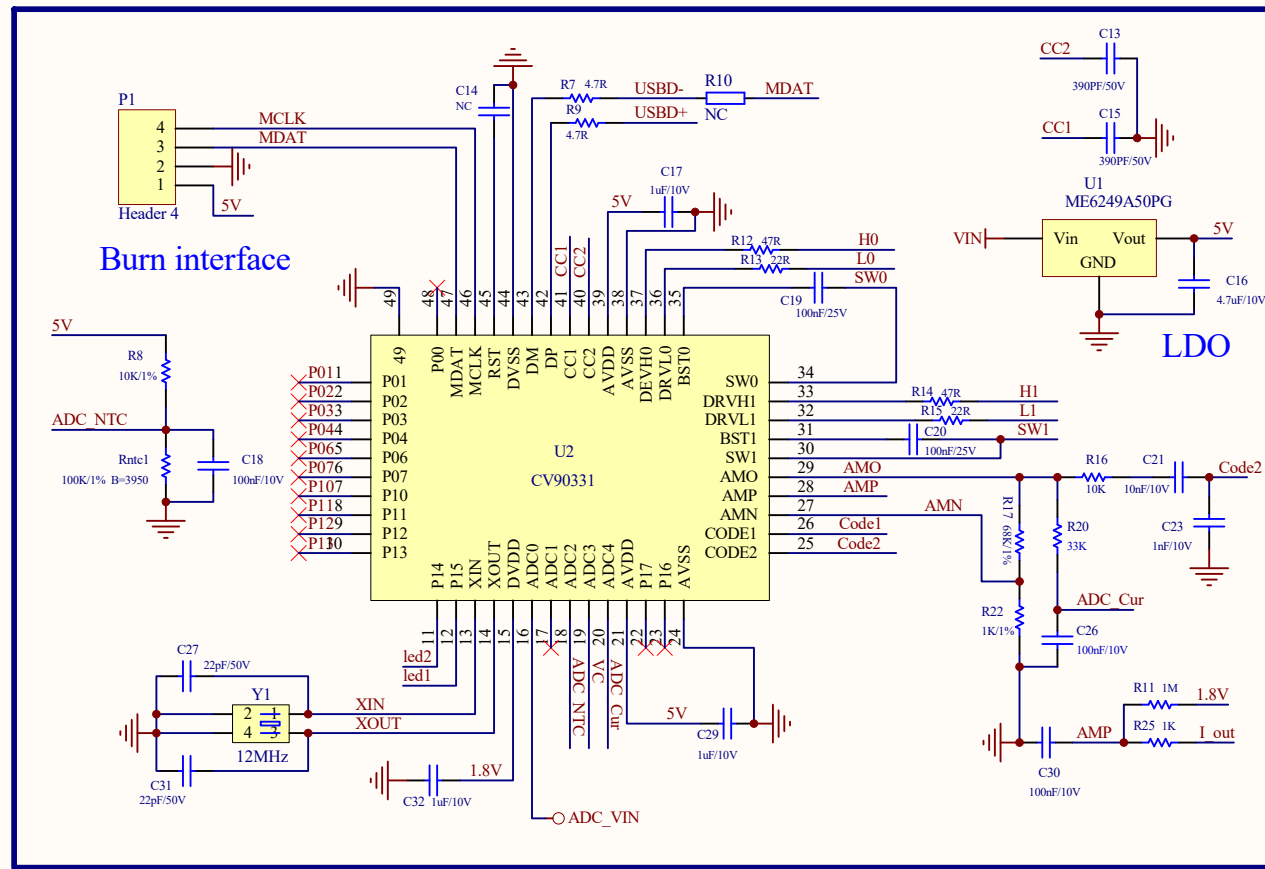
POWER



Decoding

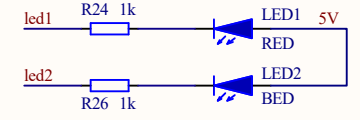
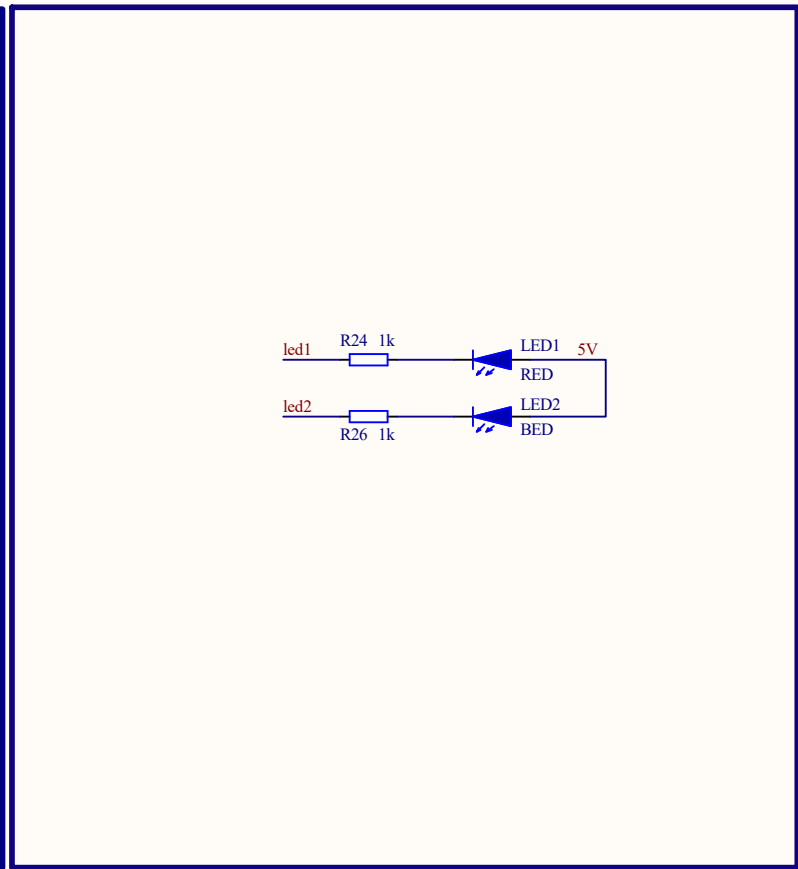
C

C



Burn interface

LDO



1

2

3

4

A

A