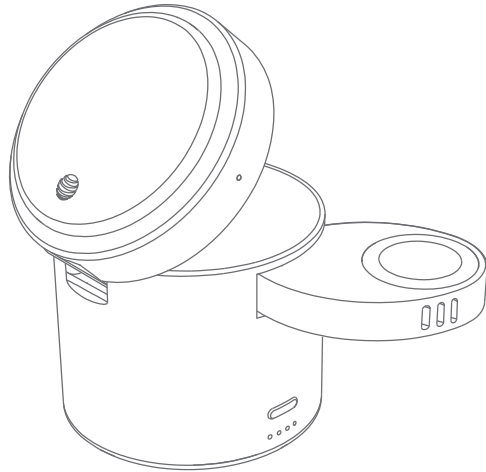


140 mm x 90 mm, double side printed

■ 299C ■ K100

(Outside)



Specifications

Battery Capacity: 5000mAh
Input: 5VDC/3A, 9VDC/3A, 12VDC/2.5A
Wireless Charger Output: up to 15W max
Apple Watch Output: up to 5W max
USB-C Output: up to 20W max
Total Output: 20W max

Includes:
Magnetic Wireless Charger,
30W Travel Charger, USB-C Cable

F000419R00



User Manual

3 in 1 Qi2.0 New Gen. Power Drum

CAUTION:
Wireless charging works with
ONLY Qi-enabled devices.



140 mm x 90 mm, double side printed

■ 299C ■ 1797C ■ 368C ■ K100

(Inside)

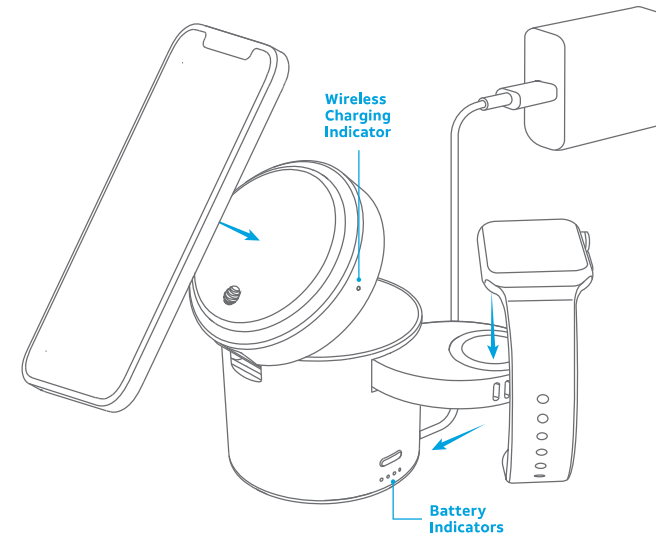
Using your 3-in-1 Power Drum Wireless Charger

- 1 Power up the unit by using the provided USB-C cable and wall charger. Connect one end of the USB-C plug to the power drum and the other end of the USB-C plug to the wall charger.
- 2 Place your phone on the magnetic charger, and charging will automatically begin. If not, push the ON/OFF button.
- 3 To charge your Apple Watch, slide out the holder and place the watch properly on the charger. Charging will automatically begin. If not, push the ON/OFF button.
- 4 To charge using the USB-C output, use the correct cable (not included). Connect one end using the USB-C to the power drum and the other end to your device. Push the power button on the power drum, and your device will begin charging automatically.

***This product has a built-in 5000mAh battery, which can charge the mobile phone and Apple Watch without connecting the power supply.**

Charging Indicator Light Status

- Red flashing light: ERROR, please re-position your device
- Green light: CHARGING, lights up green, flashes 3 times and goes off (device will remain charging)



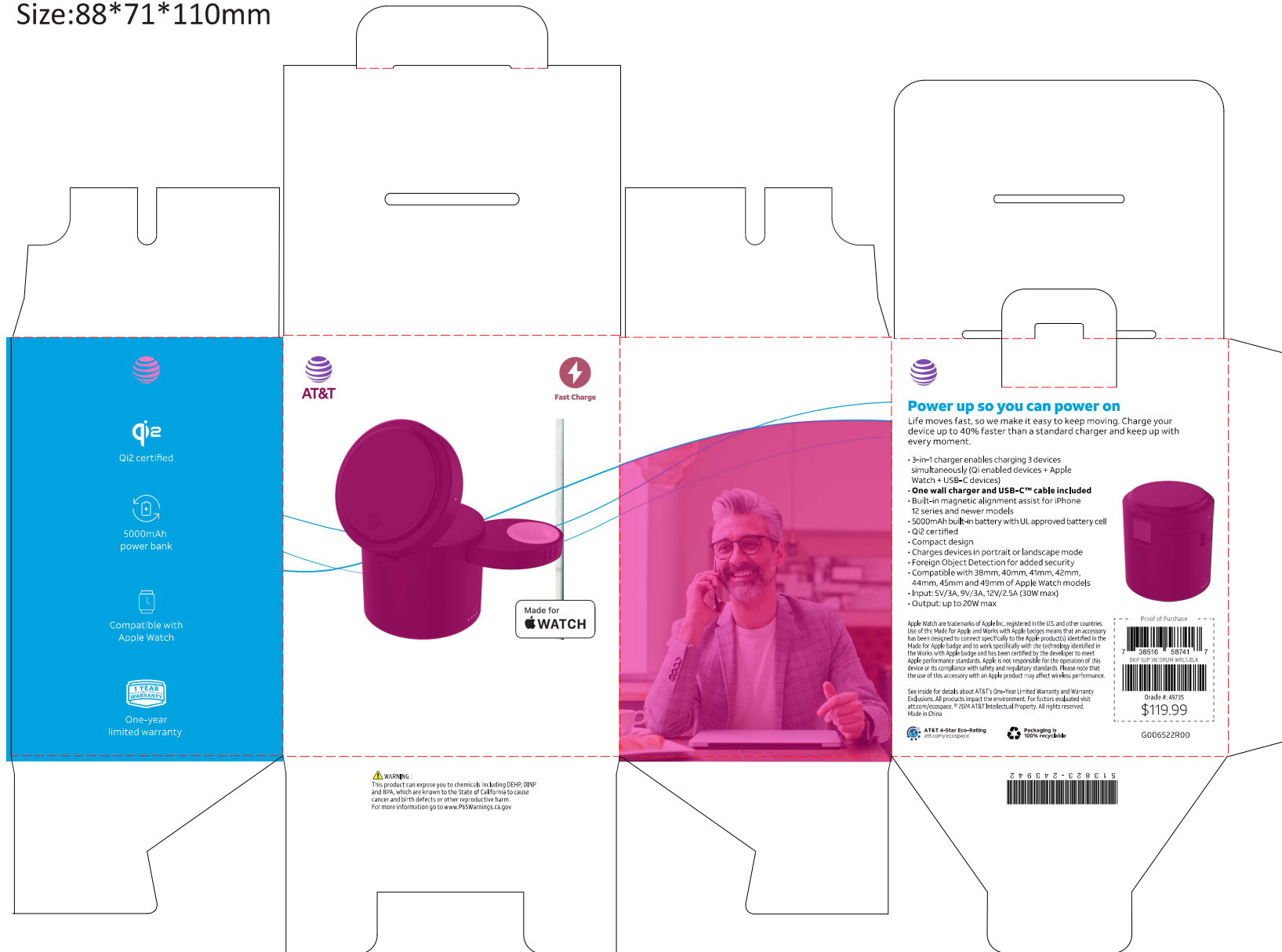
Battery power level

- ○ ○ ○ 4 lights = full battery
- ○ ○ ● 3 lights = 3/4 battery remaining
- ○ ● ● 2 lights = 1/2 battery remaining
- ● ● ● 1 light = 1/4 battery remaining

If the indicator light flashes, it means the battery is low, please charge.

Dieline#: SCPCN0077

Size:88*71*110mm



Qi2

Qi2 certified



5000mAh
power bank



Compatible with
Apple Watch



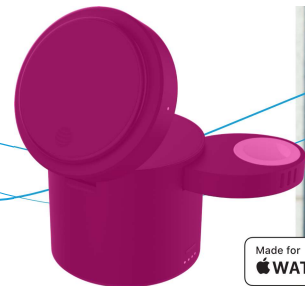
One-year
limited warranty



AT&T



Fast Charge



Made for
 WATCH



Power up so you can power on

Life moves fast, so we make it easy to keep moving. Charge your device up to 40% faster than a standard charger and keep up with every moment.

- 3-in-1 charger enables charging 3 devices simultaneously (Qi enabled devices + Apple Watch + USB-C devices)
- **One wall charger and USB-C™ cable included**
- Built-in magnetic alignment assist for iPhone 12 series and newer models
- 5000mAh built-in battery with UL approved battery cell
- Qi2 certified
- Compact design
- Charges devices in portrait or landscape mode
- Foreign Object Detection for added security
- Compatible with 38mm, 40mm, 41mm, 42mm, 44mm, 45mm and 49mm of Apple Watch models
- Input: 5V/3A, 9V/3A, 12V/2.5A (30W max)
- Output: up to 20W max



Apple Watch are trademarks of Apple Inc., registered in the U.S. and other countries. Use of the Made for Apple and Works with Apple badges means that an accessory has been designed to connect specifically to the Apple product(s) identified in the Made for Apple badge and to work specifically with the technology identified in the Works with Apple badge and has been certified by the developer to meet Apple performance standards. Apple is not responsible for the operation of this device or its compliance with safety and regulatory standards. Please note that the use of this accessory with an Apple product may affect wireless performance.

See inside for details about AT&T's One-Year Limited Warranty and Warranty Exclusions. All products impact the environment. For factors and details visit: att.com/ecospace. © 2024 AT&T Intellectual Property. All rights reserved. Made in China



Proof of Purchase

38510 58741 7

BNP SFP 80 DRUM WILLS BLX

Date #: 4935

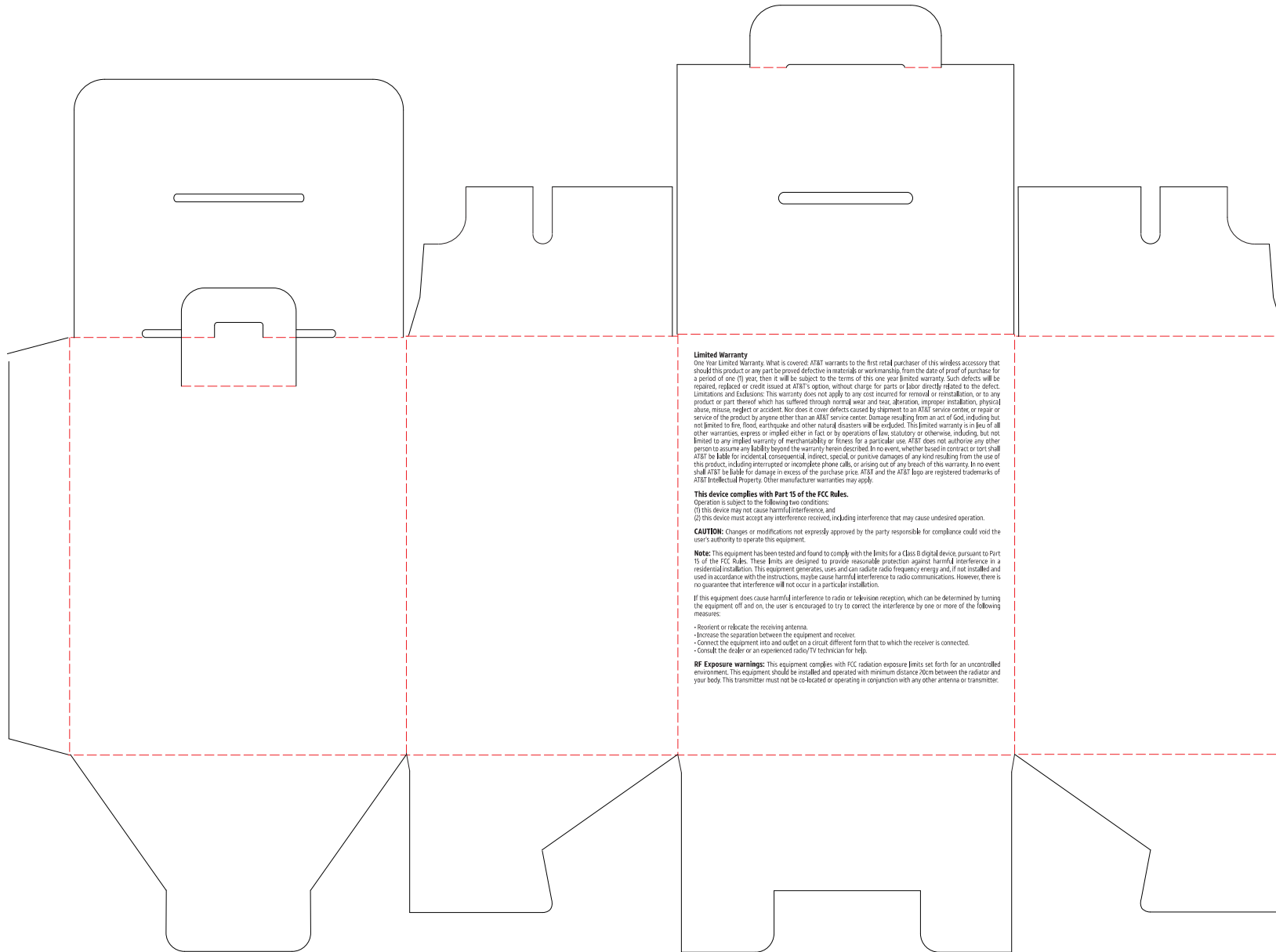
\$119.99

G006522R00

WARNING:
This product can expose you to chemicals including DEHP, DNP and BPA, which are known to the State of California to cause cancer and birth defects or other reproductive harm.
For more information go to www.P65Warnings.ca.gov



Z 7 6 0 1 7 - 6 2 0 6 1 5



Limited Warranty

The Year Limited Warranty: What is covered: AT&T warrants to the first retail purchaser of this wireless accessory that should this product or any part be proved defective in materials or workmanship, from the date of proof of purchase for a period of one (1) year, then it will be subject to the terms of this one year limited warranty. Such defects will be repaired, replaced or credit issued at AT&T's option, without charge for parts or labor directly related to the defect. Limitations and Exclusions: This warranty does not apply to any cost incurred for removal or reinstallation, or to any product or part thereof which has suffered through normal wear and tear, alteration, improper installation, physical abuse, misuse, neglect or accident. Nor does it cover defects caused by shipment to an AT&T service center, or repair or service of the product by anyone other than an AT&T service center. Damage resulting from an act of God, including but not limited to fire, flood, earthquake and other natural disasters will be excluded. This limited warranty is in lieu of all other warranties, express or implied either in fact or by operations of law, statutory or otherwise, including, but not limited to any implied warranty of merchantability or fitness for a particular use. AT&T does not authorize any other person to assume any liability beyond the warranty herein described. In no event, whether based in contract or tort, shall AT&T be liable for incidental, consequential, indirect, special or punitive damages of any kind resulting from the use of this product, including interrupted or incomplete phone calls, or arising out of any breach of this warranty. In no event shall AT&T be liable for damage in excess of the purchase price. AT&T and the AT&T logo are registered trademarks of AT&T Intellectual Property. Other manufacturer warranties may apply.

This device complies with Part 15 of the FCC Rules.

Operation is subject to the following two conditions:

- (1) this device may not cause harmful interference, and
- (2) this device must accept any interference received, including interference that may cause undesired operation.

CAUTION: Changes or modifications not expressly approved by the party responsible for compliance could void the user's authority to operate this equipment.

Note: This equipment has been tested and found to comply with the limits for a Class B digital device, pursuant to Part 15 of the FCC Rules. These limits are designed to provide reasonable protection against harmful interference in a residential installation. This equipment generates, uses and can radiate radio frequency energy and, if not installed and used in accordance with the instructions, may cause harmful interference to radio communications. However, there is no guarantee that interference will not occur in a particular installation.

If this equipment does cause harmful interference to radio or television reception, which can be determined by turning the equipment off and on, the user is encouraged to try to correct the interference by one or more of the following measures:

- Reorient or relocate the receiving antenna.
- Increase the separation between the equipment and receiver.
- Connect the equipment into an outlet on a circuit different from that to which the receiver is connected.
- Consult the dealer or an experienced radio/TV technician for help.

RF Exposure warnings: This equipment complies with FCC radiation exposure limits set forth for an uncontrolled environment. This equipment should be installed and operated with minimum distance 10cm between the radiator and your body. This transmitter must not be co-located or operating in conjunction with any other antenna or transmitter.