

GENERAL INSTRUCTIONS:

SUPPLIER TO INSURE CORRECT REVISION LEVEL DWG FOR PRODUCTION. CONTACT B&D PURCHASING DEPT. FOR LATEST REVISION LEVEL DWG.

CONTACT B&D GRAPHICS DESIGN FOR ORIGINAL ARTWORK, COLOR STANDARDS AND CORPORATE GUIDELINES.

PROOFS OF ALL REVISIONS THAT AFFECT ARTWORK AND ALL NEW COLOR FORMULATIONS MUST BE SUBMITTED TO B&D GRAPHICS DESIGN FOR APPROVAL PRIOR TO MAKING PRODUCTION PARTS. SEE EP-1006.

SUPPLIER TO PROVIDE B&D GRAPHICS DESIGN WITH 6 SAMPLES OF ALL PRODUCTION PARTS. MARK B&D PART NO. AND REVISION LEVEL.

COLOR VARIATIONS:

BLUE LINE = RECESS - **DOES NOT PRINT!**

NO COLOR - COPY LASER ETCHED

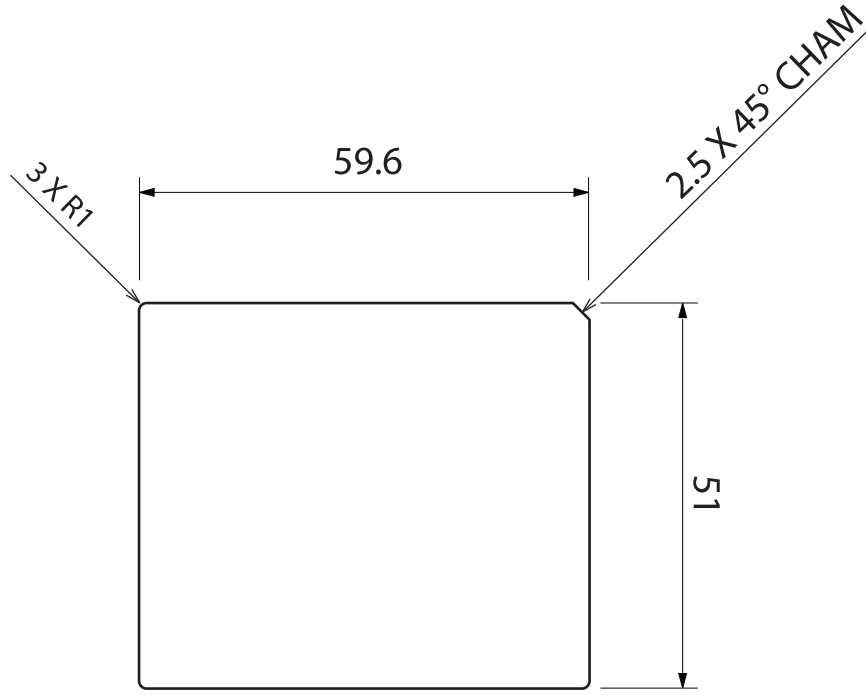
INTEGRAL MARKING PROCESS:

MARKING PROCESS TO BE USED...

- EMBOSSED: (molded in housing) RAISED COPY
- DEBOSSSED: (molded in housing) RECESSED COPY
- INDIVIDUAL COLOR RUBBER DIE PRINTING PROCESS
- INDIVIDUAL COLOR HOT STAMP TAPE PROCESS
- SILK SCREEN PROCESS
- IN-MOLD DECORATIVE TRANSFER PROCESS
- HOT STAMP SYNTHETIC LABEL PROCESS
- PAD TRANSFER PRINTING
- LASER ETCH (RECESSED COPY)
- OTHER _____

SPECIAL NOTES:

1. PRINTING: WHEN REQUIRED, TO BE CLEAR, LEGIBLE AND SMEAR FREE.
2. INK USED MUST BE UV STABILIZED.
3. ALL MATERIALS MUST COMPLY WITH ES100118.



MODEL: **DCB203BT** BATTERY PACK TYPE 2
 20V (Max) CONTAINS FCC ID: YJ7TLCKMAJD
 2.0Ah 40Wh CONTAINS IC: 9082A-TLCKMAJD

⚠ WARNING TO REDUCE THE RISK OF INJURY, USER MUST READ INSTRUCTION MANUAL. USE WITH DEWALT CHARGER. DO NOT CHARGE IF DAMAGED. DO NOT INCINERATE.

⚠ AVERTISSEMENT POUR RÉDUIRE TOUT RISQUE DE DOMMAGES CORPORELS, L'UTILISATEUR DOIT LIRE LE MANUEL DE L'UTILISATEUR. UTILISER AVEC LE CHARGEUR DEWALT. NE PAS RECHARGER SI ENDOMMAGÉ. NE PAS INCINÉRER.

⚠ ADVERTENCIA PARA REDUCIR EL RIESGO DE LESIONES, EL USUARIO DEBERÁ LEER EL MANUAL DE INSTRUCCIONES. UTILIZAR CON EL CARGADOR DEWALT. NO CARGAR SI TIENE DAÑOS. NO INCINERAR. MADE IN JAPAN

N410251

THIS DOCUMENT IS THE PROPERTY OF BLACK & DECKER INC. THE CONTENTS OF THIS DOCUMENT ARE CONFIDENTIAL AND CONSTITUTE TRADE SECRETS PROPRIETARY TO BLACK & DECKER INC. NEITHER THIS DOCUMENT NOR ITS' CONTENTS SHALL BE DISCLOSED TO ANY UNAUTHORIZED PERSON, COPIED OR PUBLISHED WITHOUT PRIOR WRITTEN CONSENT OF BLACK & DECKER INC. COPYRIGHT © 2014 BLACK & DECKER INC.	TOL UNLESS SPECIFIED	
	0 & 1 PLC DEC: ± 0.4	
	ANGLES: ± 1°	
	ALL DIMENSIONS mm	FOR ITEM DATA SEE PRINTED REPORT
SIZE:		
SHEET:	1 of 1	

GENERAL INSTRUCTIONS:
 SUPPLIER TO INSURE CORRECT REVISION LEVEL DWG FOR PRODUCTION. CONTACT B&D PURCHASING DEPT. FOR LATEST REVISION LEVEL DWG.
 CONTACT B&D GRAPHICS DESIGN FOR ORIGINAL ARTWORK, COLOR STANDARDS AND CORPORATE GUIDELINES.
 PROOFS OF ALL REVISIONS THAT AFFECT ARTWORK AND ALL NEW COLOR FORMULATIONS MUST BE SUBMITTED TO B&D GRAPHICS DESIGN FOR APPROVAL PRIOR TO MAKING PRODUCTION PARTS. SEE EP-1006.
 SUPPLIER TO PROVIDE B&D GRAPHICS DESIGN WITH 6 SAMPLES OF ALL PRODUCTION PARTS. MARK B&D PART NO. AND REVISION LEVEL.

COLOR VARIATIONS:
 NO COLOR

INTEGRAL MARKING PROCESS:
 MARKING PROCESS TO BE USED...
 EMBOSSED: (molded in housing) RAISED COPY
 DEBOSSED: (molded in housing) RECESSED COPY
 INDIVIDUAL COLOR RUBBER DIE PRINTING PROCESS
 INDIVIDUAL COLOR HOT STAMP TAPE PROCESS
 SILK SCREEN PROCESS
 IN-MOLD DECORATIVE TRANSFER PROCESS
 HOT STAMP SYNTHETIC LABEL PROCESS
 PAD TRANSFER PRINTING
 LASER ETCH (RECESSED COPY)
 OTHER _____

SPECIAL NOTES:
 1. PRINTING: WHEN REQUIRED, TO BE CLEAR, LEGIBLE AND SMEAR FREE.
 2. INK USED MUST BE UV STABILIZED.
 3. ALL MATERIALS MUST COMPLY WITH ES100118.

MODEL: **DCB204BT** BATTERY PACK TYPE 2
 20V = (Max) CONTAINS FCC ID: YJ7TLCKMAJD
 4.0Ah 80Wh CONTAINS IC: 9082A-TLCKMAJD

⚠ WARNING TO REDUCE THE RISK OF INJURY, USER MUST READ INSTRUCTION MANUAL. USE WITH DEWALT CHARGER. DO NOT CHARGE IF DAMAGED. DO NOT INCINERATE.

⚠ AVERTISSEMENT POUR RÉDUIRE TOUT RISQUE DE DOMMAGES CORPORELS, L'UTILISATEUR DOIT LIRE LE MANUEL DE L'UTILISATEUR. UTILISER AVEC LE CHARGEUR DEWALT. NE PAS RECHARGER SI ENDOMMAGÉ. NE PAS INCINÉRER.

⚠ ADVERTENCIA PARA REDUCIR EL RIESGO DE LESIONES, EL USUARIO DEBERÁ LEER EL MANUAL DE INSTRUCCIONES. UTILIZAR CON EL CARGADOR DEWALT. NO CARGAR SI TIENE DAÑOS. NO INCINERAR. **MADE IN KOREA**

→ **PLEASE NOTE:**
 Please use this label if
 "MADE IN KOREA"

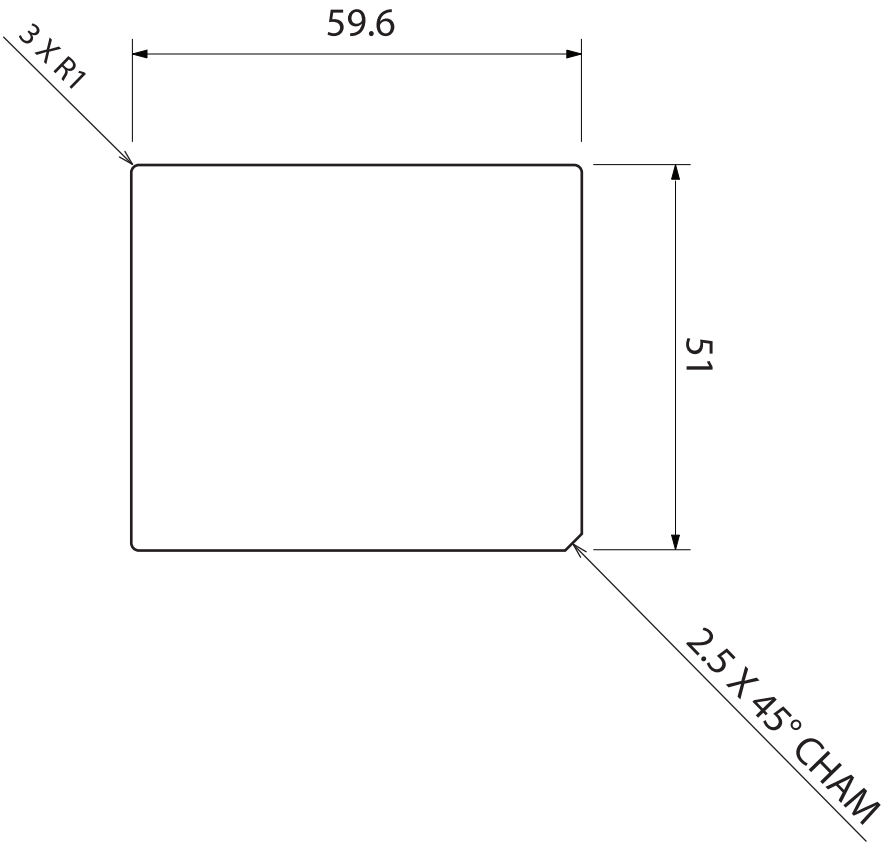
MODEL: **DCB204BT** BATTERY PACK TYPE 2
 20V = (Max) CONTAINS FCC ID: YJ7TLCKMAJD
 4.0Ah 80Wh CONTAINS IC: 9082A-TLCKMAJD

⚠ WARNING TO REDUCE THE RISK OF INJURY, USER MUST READ INSTRUCTION MANUAL. USE WITH DEWALT CHARGER. DO NOT CHARGE IF DAMAGED. DO NOT INCINERATE.


⚠ AVERTISSEMENT POUR RÉDUIRE TOUT RISQUE DE DOMMAGES CORPORELS, L'UTILISATEUR DOIT LIRE LE MANUEL DE L'UTILISATEUR. UTILISER AVEC LE CHARGEUR DEWALT. NE PAS RECHARGER SI ENDOMMAGÉ. NE PAS INCINÉRER.

⚠ ADVERTENCIA PARA REDUCIR EL RIESGO DE LESIONES, EL USUARIO DEBERÁ LEER EL MANUAL DE INSTRUCCIONES. UTILIZAR CON EL CARGADOR DEWALT. NO CARGAR SI TIENE DAÑOS. NO INCINERAR. **MADE IN MALAYSIA**

→ **PLEASE NOTE:**
 Please use this label if
 "MADE IN MALAYSIA"



THIS DOCUMENT IS THE PROPERTY OF BLACK & DECKER INC.
 THE CONTENTS OF THIS DOCUMENT ARE CONFIDENTIAL AND CONSTITUTE TRADE SECRETS PROPRIETARY TO BLACK & DECKER INC.
 NEITHER THIS DOCUMENT NOR ITS' CONTENTS SHALL BE DISCLOSED TO ANY UNAUTHORIZED PERSON, COPIED OR PUBLISHED WITHOUT PRIOR WRITTEN CONSENT OF BLACK & DECKER INC.
 COPYRIGHT © 2014 BLACK & DECKER INC.

TOL UNLESS SPECIFIED
 0 & 1 PLC DEC: ± 0.4
 ANGLES: ± 1°
 ALL DIMENSIONS mm
 SIZE: 
 SHEET: **1 of 1**



FOR ITEM DATA SEE PRINTED REPORT

N410246



DCB204BT BATTERY PACK MADE IN MALAYSIA
20V == (Max) 4.0Ah 80Wh TYPE 2
FCC ID: X000000000000X IC: X000X-X0000000000X

⚠ WARNING TO REDUCE THE RISK OF INJURY, USER MUST READ INSTRUCTION MANUAL. USE WITH DEWALT CHARGER. DO NOT CHARGE IF DAMAGED. DO NOT INCINERATE.

⚠ AVERTISSEMENT POUR RÉDUIRE TOUT RISQUE DE DOMMAGES CORPORELS, L'UTILISATEUR DOIT LIRE LE MANUEL DE L'UTILISATEUR. UTILISER AVEC LE CHARGEUR DEWALT. NE PAS RECHARGER SI ENDOMMAGÉ. NE PAS INCINÉRER.

⚠ ADVERTENCIA PARA REDUCIR EL RIESGO DE LESIONES, EL USUARIO DEBERÁ LEER EL MANUAL DE INSTRUCCIONES. UTILIZAR CON EL CARGADOR DEWALT. NO CARGAR SI TIENE DAÑOS. NO INCINERAR.



DCB203BT BATTERY PACK MADE IN JAPAN
20V == (Max) 2.0Ah 40Wh TYPE 2
FCC ID: X000000000000X IC: X000X-X0000000000X

⚠ WARNING TO REDUCE THE RISK OF INJURY, USER MUST READ INSTRUCTION MANUAL. USE WITH DEWALT CHARGER. DO NOT CHARGE IF DAMAGED. DO NOT INCINERATE.

⚠ AVERTISSEMENT POUR RÉDUIRE TOUT RISQUE DE DOMMAGES CORPORELS, L'UTILISATEUR DOIT LIRE LE MANUEL DE L'UTILISATEUR. UTILISER AVEC LE CHARGEUR DEWALT. NE PAS RECHARGER SI ENDOMMAGÉ. NE PAS INCINÉRER.

⚠ ADVERTENCIA PARA REDUCIR EL RIESGO DE LESIONES, EL USUARIO DEBERÁ LEER EL MANUAL DE INSTRUCCIONES. UTILIZAR CON EL CARGADOR DEWALT. NO CARGAR SI TIENE DAÑOS. NO INCINERAR.