

# CRAFTSMAN®

INSTRUCTION MANUAL | GUIDE D'UTILISATION | MANUAL DE INSTRUCCIONES

**20V Max\* Bluetooth®\*\* Speaker**  
**Haut-parleur Bluetooth<sup>MD</sup>\*\* 20 V max\***  
**Altavoz Bluetooth®\*\* 20 V Máx\***

**CMCRO01**



IF YOU HAVE QUESTIONS OR COMMENTS, CONTACT US.  
POUR TOUTE QUESTION OU TOUT COMMENTAIRE, NOUS CONTACTER.  
SI TIENE DUDAS O COMENTARIOS, CONTÁCTENOS.

**1-888-331-4569**

**WWW.CRAFTSMAN.COM**

---

English ( <b><i>original instructions</i></b> )	1
Français ( <i>traduction de la notice d'instructions originale</i> )	10
Español ( <i>traducido de las instrucciones originales</i> )	20

---

## Definitions: Safety Alert Symbols and Words

This instruction manual uses the following safety alert symbols and words to alert you to hazardous situations and your risk of personal injury or property damage.



**DANGER:** Indicates an imminently hazardous situation which, if not avoided, **will** result in **death or serious injury**.



**WARNING:** Indicates a potentially hazardous situation which, if not avoided, **could** result in **death or serious injury**.

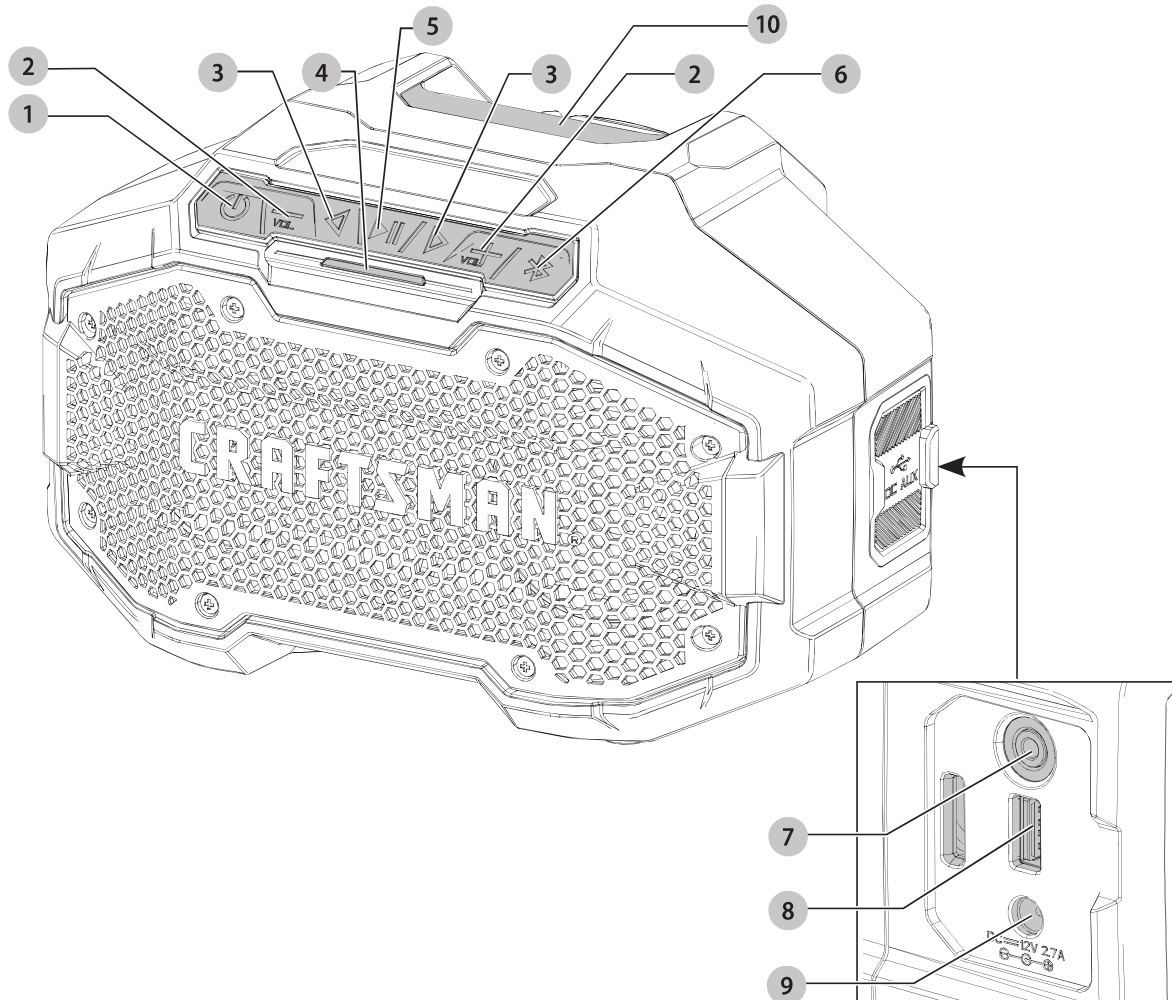


**CAUTION:** Indicates a potentially hazardous situation which, if not avoided, **may** result in **minor or moderate injury**.



(Used without word) Indicates a safety related message.

**NOTICE:** Indicates a practice **not related to personal injury** which, if not avoided, **may** result in **property damage**.



### COMPONENTS

- 1 Power button
- 2 Volume buttons
- 3 Right and left arrow buttons
- 4 Bluetooth® status indicator
- 5 Play/pause button
- 6 Bluetooth® pairing button
- 7 Auxiliary port
- 8 USB port
- 9 AC adapter port
- 10 Handle



**WARNING: Read all safety warnings and all instructions.** Failure to follow the warnings and instructions may result in electric shock, fire and/or serious injury.



**WARNING: Never modify the product or any part of it.** Damage or personal injury could result.



**WARNING: To reduce the risk of injury, read the instruction manual.**

**If you have any questions or comments about this or any product, call CRAFTSMAN toll free at: 1-888-331-4569.**

**20V Max\* Bluetooth®\*\* Speaker  
CMCR001**

**IMPORTANT SAFETY INSTRUCTIONS**



**WARNING:**

- a) Read these instructions.
- b) Keep these instructions.
- c) Heed all warnings.
- d) Follow all instructions.
- e) Do not use this apparatus near water.
- f) Clean only with a dry cloth.
- g) Do not block any ventilation openings. Install in accordance with the manufacturer's instructions.
- h) Do not install near any heat sources such as radiators, heat registers, stoves or other apparatus (including amplifiers) that produce heat.
- i) Do not defeat the safety purpose of the polarized or grounding-type plug. A polarized plug has two blades with one wider than the other. A grounding type plug has two blades and a third grounding prong. The wide blade or the third prong are provided for your safety. If the provided plug does not fit into your outlet, consult an electrician for replacement of the obsolete outlet.
- j) Protect the power cord from being walked on or pinched particularly at plugs, convenience receptacles, and the point where they exit from the apparatus.
- k) Only use attachments/accessories specified by the manufacturer.
- l) Unplug this apparatus during lightning storms or when unused for long periods of time.
- m) Refer all servicing to qualified service personnel. Servicing is required when the apparatus has been damaged in any way, such as power-supply cord or plug is damaged, liquid has been spilled or objects have fallen into the apparatus, the apparatus has been exposed to rain or moisture, does not operate normally, or has been dropped.
- n) Apparatus shall not be exposed to dripping or splashing and no objects filled with liquids, such as vases, shall be placed on the apparatus.
- o) Do not use under wet conditions or in presence of flammable liquids or gases.
- p) Do not plug in speaker / charge USB when hanging on Versatrack wall.
- q) Do not use the speaker as a shelf when hanging on Versatrack wall.

- Remove the battery pack. Switch off before leaving it unattended. Remove the battery pack when not in use, before changing accessories or attachments and before servicing.
- This appliance is not intended for use by persons (including children) with reduced physical, sensory or mental capabilities, or lack of experience and knowledge, unless they have been given supervision or instruction concerning use of the appliance by a person responsible for their safety.
- Children should be supervised to ensure that they do not play with the appliance.
- No exposed flame sources, such as lighted candles, should be placed on the speaker.
- Mains plug is used as the disconnect device; the disconnect device (plug) shall remain readily operable.
- To reduce the risk of hearing damage, do not place ears too close to the speaker.
- **An extension cord must have adequate wire size (AWG or American Wire Gauge) for safety.** The smaller the gauge number of the wire, the greater the capacity of the cable, that is, 16 gauge has more capacity than 18 gauge. An undersized cord will cause a drop in line voltage resulting in loss of power and overheating. When using more than one extension to make up the total length, be sure each individual extension contains at least the minimum wire size. The following table shows the correct size to use depending on cord length and nameplate ampere rating. If in doubt, use the next heavier gauge. The lower the gauge number, the heavier the cord.

**Minimum Gauge for Cord Sets**













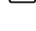




Volts	Total Length of Cord in Feet (meters)				
	120 V	25 (7.6)	50 (15.2)	100 (30.5)	150 (45.7)
240 V	50 (15.2)	100 (30.5)	200 (61.0)	300 (91.4)	
Ampere Rating		American Wire Gauge			
More Than	Not More Than				
0	6	18	16	16	14
6	10	18	16	14	12
10	12	16	16	14	12
12	16	14	12	Not Recommended	

The label on your tool may include the following symbols. The symbols and their definitions are as follows:

- V ..... volts
- Hz ..... hertz
- min ..... minutes
- or DC..... direct current
- Ⓜ ..... Class I Construction (grounded)
- ... /min..... per minute
- BPM.....beats per minute
- IPM ..... impacts per minute
- RPM ..... revolutions per minute
- sfpm ..... surface feet per minute
- SPM ..... strokes per minute
- OPM..... oscillations per minute

**Safety Instructions for Speakers**

- To reduce the risk of fire or electric shock, do not expose this apparatus to rain or moisture.
- Do not abuse cord. Never carry the speaker by its cord. Never pull the cord to disconnect from the socket. Keep the cord away from heat, oil and sharp edges.


A.....	amperes	.. /min or ..min <sup>-1</sup> .....	Revolutions or Reciprocations per minute
W.....	watts		
 or AC.....	alternating current	2  .....	two phase alternating current
 or AC/DC.....	alternating or direct current	2N  .....	two phase alternating current with neutral
 .....	Class II Construction (double insulated)	3  .....	three phase alternating current
n <sub>0</sub> .....	no load speed	3N  .....	three phase alternating current with neutral
n.....	rated speed	 .....	rated current of the appropriate fuse-link in amperes
 .....	earthing terminal	 .....	time-log miniature fuse-link where X is the symbol for the time/current characteristic, as given in IEC 60127-3
 .....	safety alert symbol	IPXX.....	IP symbol
 .....	visible radiation		
 .....	avoid staring at light		
 .....	wear respiratory protection		
 .....	wear eye protection		
 .....	wear hearing protection		
 .....	read all documentation		

## BATTERIES AND CHARGERS

The battery pack is not fully charged out of the carton. Before using the battery pack and charger, read the safety instructions below and then follow charging procedures outlined. When ordering replacement battery packs, be sure to include the catalog number and voltage.

### READ ALL INSTRUCTIONS

## Important Safety Instructions for All Battery Packs


 **WARNING:** Read all safety warnings, instructions, and cautionary markings for the battery pack, charger and product. Failure to follow the warnings and instructions may result in electric shock, fire and/or serious injury.


- **Do not charge or use the battery pack in explosive atmospheres, such as in the presence of flammable liquids, gases or dust.** Inserting or removing the battery pack from the charger may ignite the dust or fumes.
- **When battery pack is not in use, keep it away from other metal objects, like paper clips, coins, keys, nails, screws, or other small metal objects, that can make a connection from one terminal to another.** Shorting the battery terminals together may cause burns or a fire.
- **NEVER force the battery pack into the charger. DO NOT modify the battery pack in any way to fit into a non-compatible charger as battery pack may rupture causing serious personal injury.**
- Charge the battery packs only in CRAFTSMAN chargers.
- **DO NOT splash or immerse in water or other liquids.**

- **Do not store or use the tool and battery pack in locations where the temperature may reach or exceed 104 °F (40 °C) (such as outside sheds or metal buildings in summer).** For best life store battery packs in a cool, dry location.

**NOTE:** Do not store the battery packs in a tool with the trigger switch locked on. Never tape the trigger switch in the ON position.

- **Do not incinerate the battery pack even if it is severely damaged or is completely worn out.** The battery pack can explode in a fire. Toxic fumes and materials are created when lithium-ion battery packs are burned.
- **If battery contents come into contact with the skin, immediately wash area with mild soap and water.** If battery liquid gets into the eye, rinse water over the open eye for 15 minutes or until irritation ceases. If medical attention is needed, the battery electrolyte is composed of a mixture of liquid organic carbonates and lithium salts.
- **Contents of opened battery cells may cause respiratory irritation.** Provide fresh air. If symptoms persist, seek medical attention.

 **WARNING:** Burn hazard. Battery liquid may be flammable if exposed to spark or flame.

 **WARNING:** Fire hazard. Never attempt to open the battery pack for any reason. If the battery pack case is cracked or damaged, do not insert into the charger. Do not crush, drop or damage the battery pack. Do not use a battery pack or charger that has received a sharp blow, been dropped, run over or damaged in any way (e.g., pierced with a nail, hit with a hammer, stepped on). Damaged battery packs should be returned to the service center for recycling.

## Storage Recommendations

1. The best storage place is one that is cool and dry, away from direct sunlight and excess heat or cold.
2. For long storage, it is recommended to store a fully charged battery pack in a cool dry place out of the charger for optimal results.

**NOTE:** Battery packs should not be stored completely depleted of charge. The battery pack will need to be recharged before use.

## Battery Pack Cleaning Instructions

1. Dirt and grease may be removed from the exterior of the battery using a cloth or soft non-metallic brush. Do not use water or any cleaning solutions.

## The RBRC® Seal

The RBRC® (Rechargeable Battery Recycling Corporation) Seal on the nickel cadmium, nickel metal hydride or lithium-ion batteries (or battery packs) indicates that the costs to recycle these batteries (or battery packs) at the end of their useful life have already been paid by CRAFTSMAN. In some areas, it is illegal to place spent nickel cadmium, nickel metal hydride or lithium-ion



## ENGLISH

batteries in the trash or municipal solid waste stream and the Call 2 Recycle® program provides an environmentally conscious alternative.

Call 2 Recycle, Inc., in cooperation with CRAFTSMAN and other battery users, has established the program in the United States and Canada to facilitate the collection of spent nickel cadmium, nickel metal hydride or lithium-ion batteries. Help protect our environment and conserve natural resources by returning the spent nickel cadmium, nickel metal hydride or lithium-ion batteries to an authorized service center or to your local retailer for recycling. You may also contact your local recycling center for information on where to drop off the spent battery. RBRC® is a registered trademark of Call 2 Recycle, Inc..

### Transportation



**WARNING: Fire hazard. Do not store or carry the battery pack so that metal objects can contact exposed battery terminals.** For example, do not place the battery pack in aprons, pockets, tool boxes, product kit boxes, drawers, etc., with loose nails, screws, keys, etc. **Transporting batteries can possibly cause fires if the battery terminals inadvertently come in contact with conductive materials such as keys, coins, hand tools and the like.** The US Department of Transportation Hazardous Material Regulations (HMR) actually prohibit transporting batteries in commerce or on airplanes in carry-on baggage UNLESS they are properly protected from short circuits. So when transporting individual battery packs, make sure that the battery terminals are protected and well insulated from materials that could contact them and cause a short circuit. **NOTE:** LI-ION batteries should not be put in checked baggage.

### Important Safety Instructions for All Battery Chargers



**WARNING: Read all safety warnings, instructions, and cautionary markings for the battery pack, charger and product. Failure to follow the warnings and instructions may result in electric shock, fire and/or serious injury.**

- **DO NOT attempt to charge the battery pack with any chargers other than a CRAFTSMAN/CRAFTSMAN Mac-Tools charger.** CRAFTSMAN/CRAFTSMAN Mac-Tools charger and battery pack are specifically designed to work together.
- **These chargers are not intended for any uses other than charging CRAFTSMAN/CRAFTSMAN Mac-Tools rechargeable batteries.** Any other uses may result in risk of fire, electric shock or electrocution.
- **Do not expose the charger to rain or snow.**
- **Pull by the plug rather than the cord when disconnecting the charger.** This will reduce the risk of damage to the electric plug and cord.
- **Make sure that the cord is located so that it will not be stepped on, tripped over or otherwise subjected to damage or stress.**

- **Do not use an extension cord unless it is absolutely necessary.** Use of improper extension cord could result in risk of fire, electric shock or electrocution.
- **When operating a charger outdoors, always provide a dry location and use an extension cord suitable for outdoor use.** Use of a cord suitable for outdoor use reduces the risk of electric shock.
- **An extension cord must have adequate wire size (AWG or American Wire Gauge) for safety.** The smaller the gauge number of the wire, the greater the capacity of the cable, that is, 16 gauge has more capacity than 18 gauge. An undersized cord will cause a drop in line voltage resulting in loss of power and overheating. When using more than one extension to make up the total length, be sure each individual extension contains at least the minimum wire size. The following table shows the correct size to use depending on cord length and nameplate ampere rating. If in doubt, use the next heavier gauge. The lower the gauge number, the heavier the cord.

Minimum Gauge for Cord Sets

Volts	Total Length of Cord in Feet (meters)				
	120 V	25 (7.6)	50 (15.2)	100 (30.5)	150 (45.7)
240 V	50 (15.2)	100 (30.5)	200 (61.0)	300 (91.4)	
Ampere Rating		American Wire Gauge			
More Than	Not More Than				
0	6	18	16	16	14
6	10	18	16	14	12
10	12	16	16	14	12
12	16	14	12	Not Recommended	

- **Do not place any object on top of the charger or place the charger on a soft surface that might block the ventilation slots and result in excessive internal heat.** Place the charger in a position away from any heat source. The charger is ventilated through slots in the top and the bottom of the housing.
- **Do not operate the charger with a damaged cord or plug—have them replaced immediately.**
- **Do not operate the charger if it has received a sharp blow, been dropped or otherwise damaged in any way.** Take it to an authorized service center.
- **Do not disassemble the charger; take it to an authorized service center when service or repair is required.** Incorrect reassembly may result in a risk of electric shock, electrocution or fire.
- **Disconnect the charger from the outlet before attempting any cleaning. This will reduce the risk of electric shock.** Removing the battery pack will not reduce this risk.
- **NEVER attempt to connect 2 chargers together.**
- **The charger is designed to operate on standard 120V household electrical power. Do not attempt to use it on any other voltage.** This does not apply to the vehicular charger.



**WARNING: Shock hazard. Do not allow any liquid to get inside the charger. Electric shock may result.**

**WARNING:** Burn hazard. Do not submerge the battery pack in any liquid or allow any liquid to enter the battery pack. Never attempt to open the battery pack for any reason. If the plastic housing of the battery pack breaks or cracks, return to a service center for recycling.

**CAUTION:** Burn hazard. To reduce the risk of injury, charge only Mac-ToolsCRAFTSMAN rechargeable battery packs. Other types of batteries may overheat and burst resulting in personal injury and property damage.

**CAUTION:** Under certain conditions, with the charger plugged into the power supply, the charger can be shorted by foreign material. Foreign materials of a conductive nature, such as, but not limited to, grinding dust, metal chips, steel wool, aluminum foil or any buildup of metallic particles should be kept away from the charger cavities. Always unplug the charger from the power supply when there is no battery pack in the cavity. Unplug the charger before attempting to clean.

### Charging a Battery

**NOTE:** To ensure maximum performance and life of lithium-ion battery packs, charge the battery pack fully before first use.

1. Plug the charger into an appropriate outlet before inserting battery pack.
2. Connect the charger and battery pack, making sure the battery is fully seated. The (charging) light will blink continuously indicating that the charging process has started.
3. The completion of charge will be indicated by the light remaining ON continuously. The battery pack is fully charged and may be removed and used at this time or left in the charger.

**NOTE:** To remove the battery pack, some chargers require the battery pack release button to be pressed.

Indicators		
	Charging	
	Fully Charged	
	Hot/Cold Pack Delay	

A charger will not charge a faulty battery pack. The charger refusing to light could indicate a problem with the charger.

**NOTE:** If the charger refuses to light, take the charger and battery pack to be tested at an authorized service center.

#### Hot/Cold Pack Delay

When the charger detects a battery pack that is too hot or too cold, it automatically starts a Hot/Cold Pack Delay, suspending charging until the battery pack has reached an appropriate temperature. The charger then automatically switches to the pack charging mode. This feature ensures maximum battery pack life.

A cold battery pack may charge at a slower rate than a warm battery pack.

### Important Charging Notes

1. Longest life and best performance can be obtained if the battery pack is charged when the air temperature is between 65 °F – 75 °F (18 °C – 24 °C). DO NOT charge when the battery pack is below +40 °F (+4.5 °C), or above +104 °F (+40 °C). This is important and will prevent serious damage to the battery pack.
2. The charger and battery pack may become warm to the touch while charging. This is a normal condition, and does not indicate a problem. To facilitate the cooling of the battery pack after use, avoid placing the charger or battery pack in a warm environment such as in a metal shed or an uninsulated trailer.
3. If the battery pack does not charge properly:
  - a. Check operation of receptacle by plugging in a lamp or other appliance;
  - b. Check to see if receptacle is connected to a light switch which turns power off when you turn out the lights;
  - c. Move the charger and battery pack to a location where the surrounding air temperature is approximately 65 °F – 75 °F (18 °C – 24 °C);
  - d. If charging problems persist, take the tool, battery pack and charger to your local service center.
4. The battery pack should be recharged when it fails to produce sufficient power on jobs which were easily done previously. DO NOT CONTINUE to use under these conditions. Follow the charging procedure. You may also charge a partially used pack whenever you desire with no adverse effect on the battery pack.
5. Foreign materials of a conductive nature such as, but not limited to, grinding dust, metal chips, steel wool, aluminum foil, or any buildup of metallic particles should be kept away from charger cavities. Always unplug the charger from the power supply when there is no battery pack in the cavity. Unplug the charger before attempting to clean.
6. Do not freeze or immerse the charger in water or any other liquid.

### Charger Cleaning Instructions

**WARNING:** Shock hazard. Disconnect the charger from the AC outlet before cleaning. Dirt and grease may be removed from the exterior of the charger using a cloth or soft non-metallic brush. Do not use water or any cleaning solutions.

### Wall Mounting

These chargers are designed to be wall mountable or to sit upright on a table or work surface. If wall mounting, locate the charger within reach of an electrical outlet, and away from a corner or other obstructions which may impede air flow. Use the back of the charger as a template for the location of the mounting screws on the wall. Mount the charger securely using drywall screws (purchased separately) at least 1" (25.4 mm) long, with a screw head diameter of 0.28–0.35" (7–9 mm), screwed into wood to an

## ENGLISH

optimal depth leaving approximately 7/32" (5.5 mm) of the screw exposed. Align the slots on the back of the charger with the exposed screws and fully engage them in the slots.

## Versatrack™

CRAFTSMAN chargers can be mounted to the wall using CRAFTSMAN Versatrack™ Trackwall. Hooks and accessories are sold separately. Please refer to the Versatrack™ Trackwall accessory sheet for further information.

### SAVE THESE INSTRUCTIONS FOR FUTURE USE

## COMPONENTS (FIG. A)

Be sure to only use the power supply supplied with the speaker.

### Intended Use

This speaker is designed for household use.

This Bluetooth® speaker is designed to play/stream audio via a wireless Bluetooth® connection or wired connection to a mobile phone or other audio device.

**DO NOT** use under wet conditions or in presence of flammable liquids or gases.

**DO NOT** let children come into contact with the tool. Supervision is required when inexperienced operators use this tool.

## ASSEMBLY AND ADJUSTMENTS

**!** **WARNING:** To reduce the risk of serious personal injury, turn unit off and disconnect it from power source and remove the battery pack before making any adjustments or removing/installing attachments or accessories. An accidental start-up can cause injury.

## Inserting and Removing the Battery Pack from the Bluetooth® Speaker (Fig. B)

**NOTE:** Make sure your battery pack **15** is fully charged.

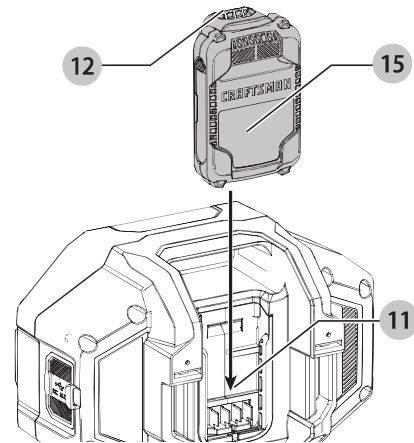
### To Install the Battery Pack into the Unit

1. Align the battery pack **15** with the rails inside the speaker's battery port **11** (Fig. B).
2. Slide it in until the battery pack is firmly seated and ensure that you hear the lock snap into place. Be sure that it does not disengage.

### To Remove the Battery Pack from the Unit

1. Press the battery release button **12** and firmly pull the battery pack out of the battery port.
2. Insert battery pack into the charger as described in the charger section of this manual.

Fig. B



## OPERATION

**!** **WARNING:** To reduce the risk of serious personal injury, turn unit off and disconnect it from power source and remove the battery pack before making any adjustments or removing/installing attachments or accessories. An accidental start-up can cause injury.

## Instructions for Use (Fig. C)

**!** **WARNING:** Always observe the safety instructions and applicable regulations.

### Power Button

1. To turn on the speaker, press the power button **1**.
2. To turn the speaker off, press the power button **1**.

### Play/Pause Button

When the audio device is connected via Bluetooth®, press the play/pause button **5** to begin playing a selection from the audio device. Press the play/pause button again to pause play.

When audio device connected via auxilliary port, press the play/pause button **5** to mute the speaker.

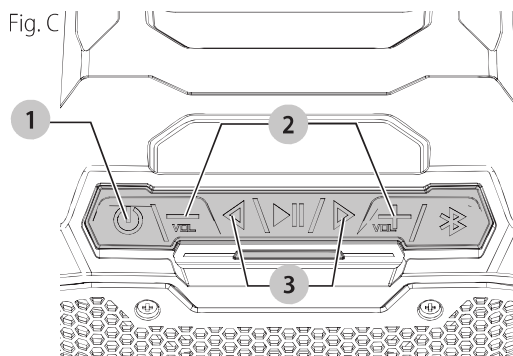
### Volume Adjustment

When the speaker is paired to a Bluetooth® device the volume buttons **2** can be used to increase or decrease volume on the speaker.

### Track Change

When the speaker is paired to a Bluetooth® device the right and left arrow buttons **3** can be used to skip or go to previous tracks on the audio device.

Fig. C



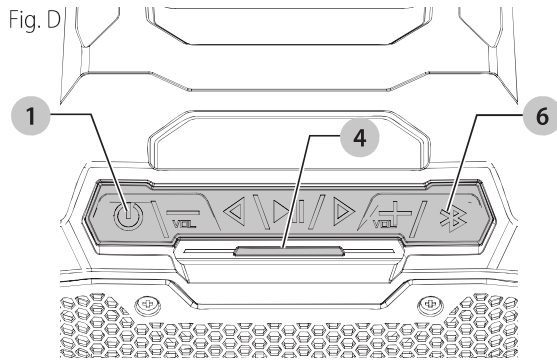


### Playing Audio (Fig. D)

Audio can be played through the speaker via a wireless Bluetooth® connection to a compatible Bluetooth® device.

#### Pairing Speaker with a Bluetooth® Audio Device

1. Place the speaker and the Bluetooth® audio source within 3 feet (1 m) of each other.
2. Turn on the speaker by pressing the power button 1.
3. The Bluetooth® audio device must have Bluetooth® turned on to automatically pair. (Please consult your device's instruction manual for specific pairing instructions.)
4. Press the Bluetooth® button 6. This will cause the Bluetooth® status indicator 4 to blink slowly. During this time, the speaker is trying to find a previously paired device. If found, the Bluetooth® status indicator will stay lit without any blinking.
5. If another device is to be paired, press the Bluetooth® button 6. The Bluetooth® status indicator will blink rapidly. While the speaker is displaying the fast blink, it is in pairing mode with a new device.
6. Confirm pairing on your device.  
**NOTE:** If pairing is not confirmed within 5 minutes, the Bluetooth® status indicator will stop flashing and the speaker will return to half second interval blink pattern.
7. Once pairing is successful, the Bluetooth® status indicator will turn solid. The speaker will now play audio from your device.



**NOTE:** Audio output power: 2x10W.

#### Bluetooth® Status Indicator

indicator	Status/Mode
Steady blinking (half second interval)	Speaker is unpaired or in connecting mode.
Rapid Blinking	Speaker is in pairing mode and discoverable by your device.
Solid light	Speaker is connected with a device.
No light	Speaker has timed out and/or is off.

#### Connecting a Previously Paired Bluetooth® Audio Device

If a Bluetooth® device has been previously paired to the speaker, it should automatically reconnect when speaker is powered on. After 4 seconds, the speaker will go into connecting mode. This is indicated by the Bluetooth®

status indicator 4 blinking steadily. Once the previously paired Bluetooth® device is recognized and connected, the Bluetooth® status indicator will stop blinking and turn solid. If connection does not occur and you are unable to stream audio, please follow the instructions for **Pairing Speaker with a Bluetooth® Audio Device**.

**NOTE:** The Bluetooth® audio device must have Bluetooth® turned on to automatically pair.

#### Auxiliary Port (Fig. A)

To use the auxiliary port 7, plug the output jack from a CD player, iPod®/MP3 player, or mobile phones into the port. The sound from the external source plays through the speakers of the speaker.

#### USB Port (Fig. A)

The USB power output port 8 is a connection port for powering low power devices such as mobile phones, CD and MP3 players. It delivers up to 2.1 amp total current.

When powered by an external power supply, the USB power output port will charge a device without requiring the user to press the power button.

When powered by batteries, the USB power output port will charge a device when the user presses the power button to turn the speaker on.

#### Timeout Functionality (Fig. A)

To conserve battery life, the speaker is designed to power off automatically after a half hour of inactivity. This inactivity could be due to the device being unpaired for a half hour or in the case of the Bluetooth® connection being broken for the same period of time. If the speaker powers off due to inactivity of any kind, refer to **Connecting a Previously Paired Bluetooth® Audio Device**.

**NOTE:** Optimum Bluetooth® streaming range is roughly 30 feet (9 m) (line of sight) to the speaker but distances up to 100 feet (30 m) are possible. Physical obstacles, other wireless devices or electromagnetic devices may affect the connection quality.

If Bluetooth® connection is lost due to exceeding time of separation, exceeding the optimum distance, obstacles or otherwise, reconnecting your device with the speaker may be necessary.

#### Incoming Call

If your phone receives a call while it is connected to the speaker it will pause the Bluetooth® connection.

To transfer the call to your phone, deselect the phone from the Bluetooth® connection.

## MAINTENANCE

- ⚠ WARNING:** To reduce the risk of serious personal injury, turn unit off and disconnect it from power source remove the battery pack before making any adjustments or removing/installing attachments or accessories. An accidental start-up can cause injury.

## Accessories

- ⚠ WARNING:** Since accessories, other than those offered by CRAFTSMAN, have not been tested with this product, use of such accessories with this tool could be hazardous. To reduce the risk of injury, only CRAFTSMAN recommended accessories should be used with this product.

Recommended accessories for use with your tool are available at extra cost from your local dealer or authorized service center. If you need assistance in locating any accessory, please contact CRAFTSMAN, call **1-888-331-4569**.

## Versatrack™ (Fig. E)

- ⚠ WARNING:** To reduce the risk of serious personal injury, turn unit off and disconnect it from power source and remove the battery pack before making any adjustments or removing/installing attachments or accessories. An accidental start-up can cause injury.

- ⚠ WARNING:** To reduce the risk of serious personal injury, do not use a damaged Versatrack™ hang hook or Versatrack™ Trackwall. A damaged Versatrack™ hang hook or Versatrack™ Trackwall will not support the weight of the tool.

- ⚠ WARNING:** To reduce the risk of serious personal injury, ensure the screws holding the Versatrack™ hang hooks are securely tightened.

- ⚠ WARNING:** To reduce the risk of serious personal injury, DO NOT suspend tool overhead or suspend objects from the hang hooks. ONLY suspend tool on the Versatrack™ Trackwall using the hang hooks.

- ⚠ WARNING:** Ensure that the tool weight does not exceed the maximum rated weight for the selected Versatrack™ hooks.

- ⚠ WARNING:** When hanging objects on a Versatrack™ Trackwall rail, adequately space the tools in order to not exceed 75 lb (35 kg) per linear foot.

- ⚠ WARNING:** Do not plug in speaker / charge USB when hanging on Versatrack™ wall.

- ⚠ WARNING:** Do not use the speaker as a shelf when hanging on Versatrack™ wall.

**IMPORTANT:** When attaching the Versatrack hang hooks, use only the screws that are provided. Be sure to securely tighten the screws. Versatrack™ accessories mount compatible tools securely to the Versatrack™ Trackwall system.

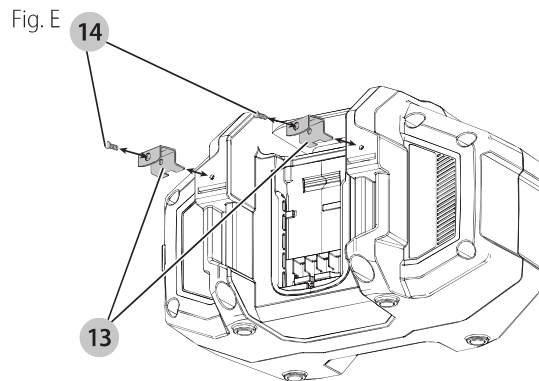
1. Turn tool off, disconnect it from power source and remove the battery pack and remove accessories.

- ⚠ CAUTION:** Any product with exposed cutting teeth must have them covered securely if it is to be on the Versatrack™ Trackwall.

2. Attach the hang hooks **13** on the tool.
  - a. Place the Versatrack hang hooks onto the mounting locations at the base of the tool.
  - b. Use a screwdriver to secure the hang hooks with the provided screws **14**. Do not use any other screws for this.

**NOTE:** Versatrack™ accessories for use with your tool are available at extra cost from your local dealer or authorized service center. If you need assistance in locating any accessory, please contact CRAFTSMAN, call **1-888-331-4569**.

**NOTE:** Unit can be hung with no battery pack installed, or with only 1.3, 1.5, or 2 Ah battery pack installed.



## Repairs

The charger and battery pack are not serviceable. There are no serviceable parts inside the charger or battery pack.

- ⚠ WARNING:** To assure product SAFETY and RELIABILITY, repairs, maintenance and adjustment (including power cord repairs, and brush inspection and replacement, when applicable) should be performed by a CRAFTSMAN factory service center or a CRAFTSMAN authorized service center. Always use identical replacement parts.

## Cleaning

- ⚠ WARNING:** Blow dirt and dust out of all air vents with clean, dry air at least once a week. To minimize the risk of eye injury, always wear ANSI Z87.1 approved eye protection when performing this.

- ⚠ WARNING:** Never use solvents or other harsh chemicals for cleaning the non-metallic parts of the tool. These chemicals may weaken the plastic materials used in these parts. Use a cloth dampened only with water and mild soap. Never let any liquid get inside the tool; never immerse any part of the tool into a liquid.

## Register Online

Thank you for your purchase. Register your product now for:

- **WARRANTY SERVICE:** Registering your product will help you obtain more efficient warranty service in case there is a problem with your product.
- **CONFIRMATION OF OWNERSHIP:** In case of an insurance loss, such as fire, flood or theft, your registration of ownership will serve as your proof of purchase.
- **FOR YOUR SAFETY:** Registering your product will allow us to contact you in the unlikely event a safety notification is required under the Federal Consumer Safety Act.

Register online at [www.craftsman.com/registration](http://www.craftsman.com/registration)

## Three Year Limited Warranty

CRAFTSMAN will repair or replace, without charge, any defects due to faulty materials or workmanship for three years from the date of purchase (two years for batteries). This warranty does not cover part failure due to normal wear or tool abuse. For further detail of warranty coverage and warranty repair information, visit [www.craftsman.com](http://www.craftsman.com) or call **1-888-331-4569**. This warranty does not apply to accessories or damage caused where repairs have been made or attempted by others. THIS LIMITED WARRANTY IS GIVEN IN LIEU OF ALL OTHERS, INCLUDING THE IMPLIED WARRANTY OF MERCHANTABILITY AND FITNESS FOR A PARTICULAR PURPOSE, AND EXCLUDES ALL INCIDENTAL OR CONSEQUENTIAL DAMAGES. Some states do not allow limitations on how long an implied warranty lasts or the exclusion or limitation of incidental or consequential damages, so these limitations may not apply to you. This warranty gives you specific legal rights and you may have other rights which vary in certain states or provinces.

### 2 YEARS FREE SERVICE ON CRAFTSMAN BATTERY PACKS

CMCB201, CMCB2011

### 3 YEARS FREE SERVICE ON CRAFTSMAN BATTERY PACKS

CMCB202, CMCB204

**NOTE:** Battery warranty voided if the battery pack is tampered with in any way. CRAFTSMAN is not responsible for any injury caused by tampering and may prosecute warranty fraud to the fullest extent permitted by law.

### 90 DAY MONEY BACK GUARANTEE

If you are not completely satisfied with the performance of your CRAFTSMAN Power Tool or Nailer for any reason, you can return it within 90 days from the date of purchase with a receipt for a full refund – no questions asked.

**LATIN AMERICA:** This warranty does not apply to products sold in Latin America. For products sold in Latin America, see country specific warranty information contained in the packaging, call the local company or see website for warranty information.

**FREE WARNING LABEL REPLACEMENT:** If your warning labels become illegible or are missing, call **1-888-331-4569** for a free replacement.

## Définitions : symboles et termes d'alarmes sécurité

Ces guides d'utilisation utilisent les symboles et termes d'alarmes sécurité suivants pour vous prévenir de situations dangereuses et de risques de dommages corporels ou matériels.



**DANGER** : indique une situation dangereuse imminente qui, si elle n'est pas évitée, **entraînera la mort ou des blessures graves**.



**AVERTISSEMENT** : indique une situation potentiellement dangereuse qui, si elle n'est pas évitée, **pourrait entraîner la mort ou des blessures graves**.

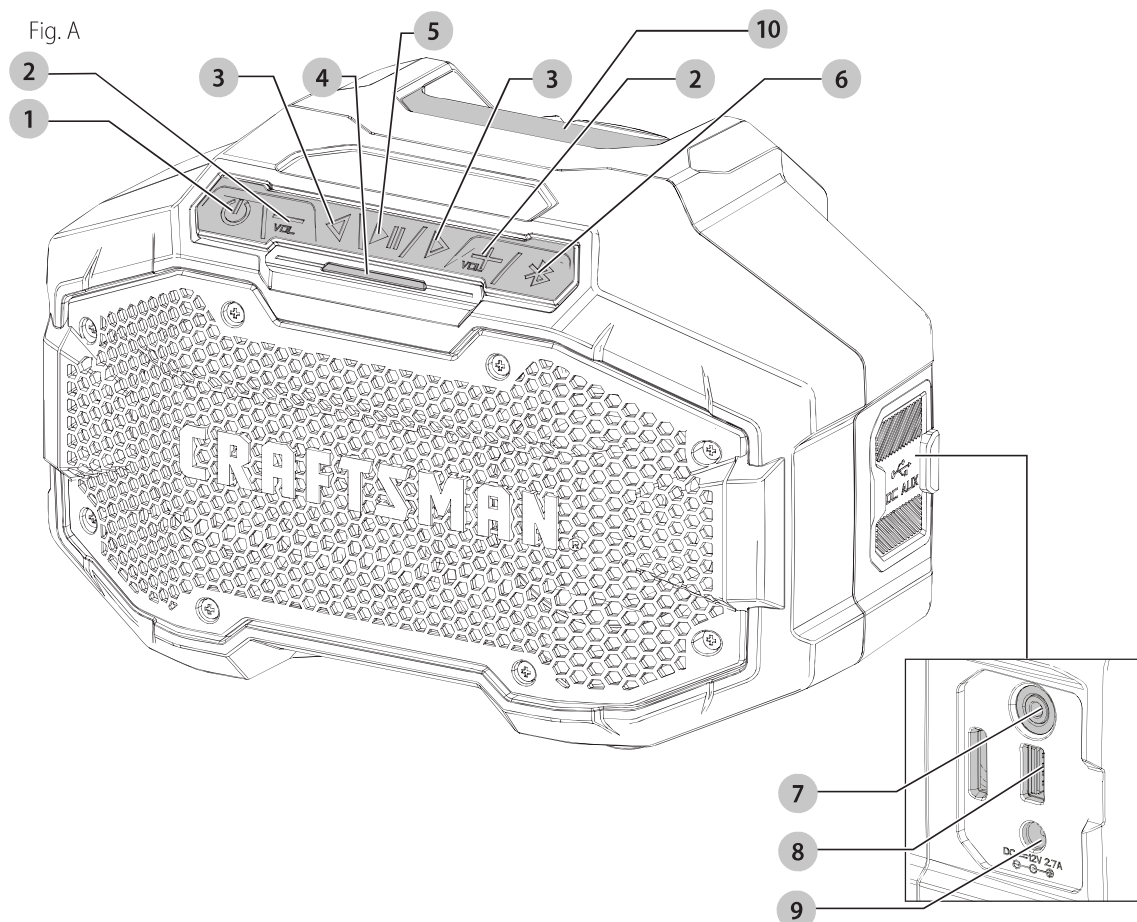


**ATTENTION** : indique une situation potentiellement dangereuse qui, si elle n'est pas évitée, **pourrait entraîner des blessures légères ou modérées**.



(Si utilisé sans aucun terme) Indique un message propre à la sécurité.

**AVIS** : indique une pratique ne posant **aucun risque de dommages corporels** mais qui par contre, si rien n'est fait pour l'éviter, **pourrait poser des risques de dommages matériels**.



### DESCRIPTION

- 1 Boutons de volume
- 2 Boutons d'alimentation
- 3 Touches des flèches droite et gauche
- 4 L'indicateur d'état Bluetooth<sup>MD</sup>
- 5 Bouton lire/pause
- 6 Bouton d'appariement Bluetooth<sup>MD</sup>
- 7 Fiche auxiliaire
- 8 Port USB d'alimentation
- 9 Port d'adaptateur C.A.
- 10 Poignée



**AVERTISSEMENT** : lire tous les avertissements de sécurité et toutes les directives. Le non-respect des avertissements et des directives pourrait se solder par un choc électrique, un incendie et/ou une blessure grave.



**AVERTISSEMENT** : ne jamais modifier l'outil électrique ni aucun de ses composants, car il y a des risques de dommages corporels ou matériels.



**AVERTISSEMENT** : afin de réduire le risque de blessures, lire le mode d'emploi de l'outil.

**Pour toute question ou remarque au sujet de cet outil ou de tout autre outil CRAFTSMAN composez le numéro sans frais : 1-888-331-4569.**