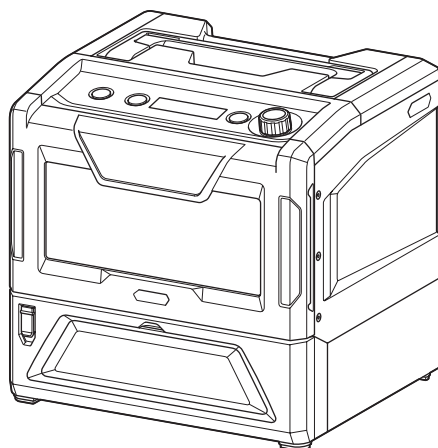


INSTRUCTION MANUAL



Cordless Microwave Oven

MW001G



IMPORTANT: Read Before Using.

INTRODUCTION

SPECIFICATIONS

Model:		MW001G
Rated voltage		D.C. 36 V - 40 V max
Microwave power		500 W / 350 W
Dimensions (W x L x H)	External dimensions	343 mm x 318 mm x 338 mm (13-1/2" x 12-1/2" x 13-1/4") (Without battery cartridge) (With the handle lowered position)
	Cavity	255 mm x 241 mm x 120 mm (10" x 9-1/2" x 4-3/4")
Capacity		8 L
Net weight *1		9.9 - 13.1 kg (21.8 - 28.9 lbs) (With battery cartridges)

*1 The lightest and heaviest combinations according to battery cartridges are shown in the table.

- Due to our continuing program of research and development, the specifications herein are subject to change without notice.
- Specifications may differ from country to country.

Estimated operating time

Battery cartridge (Full charged)	500 W	350 W
BL4020 x 2	6 min	8 min
BL4025 x 2	9 min	13 min
BL4040 x 2	15 min	21 min
BL4050F x 2	23 min	33 min
BL4080F x 2	37 min	52 min

NOTE: Values are approximate and may differ depending on charging status, and usage condition.

NOTE: The estimated operating time with one battery is about half of the amount when using two batteries.

Applicable battery cartridge and charger

Battery cartridge	BL4020 / BL4025 / BL4040 / BL4050F / BL4080F
Charger	DC40RA / DC40RB / DC40RC

- Some of the battery cartridges and chargers listed above may not be available depending on your region of residence.

⚠WARNING: Only use the battery cartridges and chargers listed above. Use of any other battery cartridges and chargers may cause injury and/or fire.

Household use only SAVE THESE INSTRUCTIONS READ CAREFULLY AND KEEP FOR FUTURE

IMPORTANT SAFEGUARDS

WARNING: This appliance should be serviced only by qualified service personnel. Contact nearest authorized service facility for examination, repair, or adjustment.

WARNING: DO NOT attempt to operate this oven with the door open, since open-door operation can result in harmful exposure to microwave energy.

WARNING: If the door(bent), hinges(broken or

loosened), door seals or sealing surface are damaged, the oven must not be operated until it has been repaired by a trained person.

WARNING: It is hazardous for anyone other than a trained person to carry out any service or repair operation, which involves the removal of any cover, which gives protection against exposure to microwave energy.

WARNING: Use this appliance only for its intended use as described in the manual.

WARNING: Do not use corrosive chemicals or vapors in this appliance.

WARNING: This type of oven is specifically designed to heat, cook, or dry food. It is not designed for industrial or laboratory use.

WARNING: Liquids or other food must not be heated in sealed containers since they are liable to

explode.

1. Do not sit on and step on the appliance. Do not place objects on the appliance.
2. This appliance can be used by children aged from 8 years and above and persons with reduced physical, sensory or mental capabilities or lack of experience and knowledge if they have been given supervision or instruction concerning use of the appliance in a safe way and understand the hazards involved.
3. Children shall not play with the appliance.
4. If smoke is observed, switch off the appliance and remove the battery and keep the door closed in order to stifle any flames.
5. When there is no food in the microwave oven, do not operate the microwave oven. Otherwise the appliance may be damaged.
6. Do not pierce the oven door mesh. Otherwise it will cause microwave leakage.
7. Do not operate the appliance in enclosed spaces such as cabinet.
8. Place the appliance on a level and flat surface.
9. Do not operate the appliance while suspended. Do not use the handle any other purpose than carrying the appliance.
10. Do not move the appliance during operation.
11. Do NOT use the appliance in the rain. Do not wet the appliance. If the appliance is exposed to water, have it inspected by Makita Authorized or Factory Service Centers.
12. Do not store this appliance outdoors. Do not use this product near water – for example, near a kitchen sink, in a wet basement, near a swimming pool, or similar locations.
13. To reduce the risk of electrical shock, do not put microwave oven in water or other liquid. Do not place or store product where it can fall or be pulled into a tub or sink.
14. If the appliance get an impact or falls, send the appliance to the after-sales department for inspection and maintenance in time.
15. Do not cover or block any openings on the appliance.
16. It is forbidden to heat inflammables and explosives, especially dry ice.
17. Only use utensils that are suitable for use in microwave ovens.
18. Metallic containers for food and beverages are not allowed during microwave cooking.
19. When heating food in plastic or paper containers, keep an eye on the oven due to the possibility of ignition.
20. Liquids, such as water, coffee, or tea are able to be overheated beyond the boiling point without appearing to be boiling. Visible bubbling or boiling when the container is removed from the microwave oven is not always present. **THIS COULD RESULT IN VERY HOT LIQUIDS SUDDENLY BOILING OVER WHEN THE CONTAINER IS DISTURBED OR A UTENSIL IS INSERTED INTO THE LIQUID.**
21. The contents of feeding bottles and baby food jars are to be stirred or shaken and the temperature is to be checked before consumption, in order to avoid burns.
22. Eggs in their shell and whole hard boiled eggs shall not be heated in microwave ovens since they may explode, even after microwave heating has ended.
23. Do not place inflammables and combustibles near the microwave oven.
24. During the operation of the microwave oven, keep your eyes on the cooking condition of the microwave oven at any time. Set the correct cooking time. Overtime cooking may cause fire.
25. In the cooking process of light load food with less water content, due to the different microwave absorption capacity of different substances, there may be uneven cold and heat. This is a normal phenomenon.
26. Small quantities of food or foods with low moisture content may dry out, scorch or catch on fire if overheated.
27. **DO NOT** dry clothes, newspapers or other materials in the oven, or use newspaper or paper bags for cooking.
28. Remove wire twist-ties from paper or plastic bags before placing bag in the microwave oven.
29. Do not use the cavity for storage purposes. Do not leave battery, paper products, cooking utensils, or food in the cavity when not in use.
30. Do not use sharp tools (such as cleaning ball, shovel, spoon, etc.) to clean the cavity.
31. Clean the details of the door seal, cavity and adjacent parts. (Refer the section for cleaning.)
32. Failure to maintain the oven in a clean condition could lead to deterioration of the surface. This could adversely affect the life of the appliance and possibly result in a hazardous situation.
33. Do not use solution to corrode the surface of microwave oven.
34. When disposing the battery cartridge, remove it from the tool and dispose of it in a safe place. Follow your local regulations relating to disposal of battery.
35. If the tool is not used for a long period of time, the battery must be removed from the tool.
36. Do not short the battery cartridge.
37. Rechargeable batteries are to be removed from the appliance before being charged.
38. Batteries are to be inserted with the correct polarity.
39. Exhausted batteries are to be removed from the appliance and safely disposed of.
40. This device complies with Part 18 of the FCC Rules.

Safety warnings for battery-operated appliance

Battery-operated appliance use and care

1. Prevent unintentional starting. Ensure the switch is in the off-position before connecting to battery pack, picking up or carrying the

appliance. Carrying the appliance with your finger on the switch or energizing appliance that have the switch on invites accidents.

2. **Disconnect the battery pack from the appliance before making any adjustments, changing accessories, or storing appliance.** Such preventive safety measures reduce the risk of starting the appliance accidentally.
3. **Recharge only with the charger specified by the manufacturer.** A charger that is suitable for one type of battery pack may create a risk of fire when used with another battery pack.
4. **Use appliances only with specifically designated battery packs.** Use of any other battery packs may create a risk of injury and fire.
5. **When battery pack is not in use, keep it away from other metal objects, like paper clips, coins, keys, nails, screws or other small metal objects, that can make a connection from one terminal to another.** Shorting the battery terminals together may cause burns or a fire.
6. **Under abusive conditions, liquid may be ejected from the battery; avoid contact. If contact accidentally occurs, flush with water. If liquid contacts eyes, additionally seek medical help.** Liquid ejected from the battery may cause irritation or burns.
7. **Do not use a battery pack or appliance that is damaged or modified.** Damaged or modified batteries may exhibit unpredictable behaviour resulting in fire, explosion or risk of injury.
8. **Do not expose a battery pack or appliance to fire or excessive temperature.** Exposure to fire or temperature above 130 °C may cause explosion.
9. **Follow all charging instructions and do not charge the battery pack or appliance outside the temperature range specified in the instructions.** Charging improperly or at temperatures outside the specified range may damage the battery and increase the risk of fire.
10. **Have servicing performed by a qualified repair person using only identical replacement parts.** This will ensure that the safety of the product is maintained.
11. **Do not modify or attempt to repair the appliance or the battery pack except as indicated in the instructions for use and care.**

Important safety instructions for battery cartridge

1. **Before using battery cartridge, read all instructions and cautionary markings on (1) battery charger, (2) battery, and (3) product using battery.**
2. **Do not disassemble or tamper with the battery cartridge.** It may result in a fire, excessive heat, or explosion.
3. **If operating time has become excessively shorter, stop operating immediately. It may result in a risk of overheating, possible burns and even an explosion.**
4. **If electrolyte gets into your eyes, rinse them out with clear water and seek medical attention**

right away. It may result in loss of your eyesight.

5. **Do not short the battery cartridge:**
 - (1) **Do not touch the terminals with any conductive material.**
 - (2) **Avoid storing battery cartridge in a container with other metal objects such as nails, coins, etc.**
 - (3) **Do not expose battery cartridge to water or rain.**

A battery short can cause a large current flow, overheating, possible burns and even a breakdown.
6. **Do not store and use the appliance and battery cartridge in locations where the temperature may reach or exceed 50 °C (122 °F).**
7. **Do not incinerate the battery cartridge even if it is severely damaged or is completely worn out. The battery cartridge can explode in a fire.**
8. **Do not nail, cut, crush, throw, drop the battery cartridge, or hit against a hard object to the battery cartridge.** Such conduct may result in a fire, excessive heat, or explosion.
9. **Do not use a damaged battery.**
10. **The contained lithium-ion batteries are subject to the Dangerous Goods Legislation requirements.**

For commercial transports e.g. by third parties, forwarding agents, special requirement on packaging and labeling must be observed.
For preparation of the item being shipped, consulting an expert for hazardous material is required. Please also observe possibly more detailed national regulations.
Tape or mask off open contacts and pack up the battery in such a manner that it cannot move around in the packaging.
11. **When disposing the battery cartridge, remove it from the appliance and dispose of it in a safe place. Follow your local regulations relating to disposal of battery.**
12. **Use the batteries only with the products specified by Makita.** Installing the batteries to non-compliant products may result in a fire, excessive heat, explosion, or leak of electrolyte.
13. **If the appliance is not used for a long period of time, the battery must be removed from the appliance.**
14. **During and after use, the battery cartridge may take on heat which can cause burns or low temperature burns. Pay attention to the handling of hot battery cartridges.**
15. **Do not touch the terminal of the appliance immediately after use as it may get hot enough to cause burns.**
16. **Do not allow chips, dust, or soil stuck into the terminals, holes, and grooves of the battery cartridge.** It may result in poor performance or breakdown of the appliance or battery cartridge.
17. **Unless the appliance supports the use near high-voltage electrical power lines, do not use the battery cartridge near high-voltage electrical power lines.** It may result in a malfunction or breakdown of the appliance or battery cartridge.

18. Keep the battery away from children.

SAVE THESE INSTRUCTIONS.

CAUTION: Only use genuine Makita batteries. Use of non-genuine Makita batteries, or batteries that have been altered, may result in the battery bursting causing fires, personal injury and damage. It will also void the Makita warranty for the Makita appliance and charger.

Tips for maintaining maximum battery life

1. Charge the battery cartridge before completely discharged. Always stop appliance operation and charge the battery cartridge when you notice less appliance power.
2. Never recharge a fully charged battery cartridge. Overcharging shortens the battery service life.
3. Charge the battery cartridge with room temperature at 10 °C - 40 °C (50 °F - 104 °F). Let a hot battery cartridge cool down before charging it.
4. When not using the battery cartridge, remove it from the appliance or the charger.
5. Charge the battery cartridge if you do not use it for a long period (more than six months).

PARTS DESCRIPTION

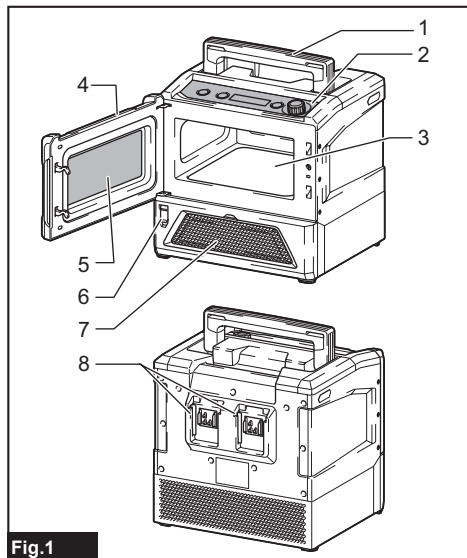


Fig.1

1. **Handle**
2. **Control panel**
Refer the following description for detail.
3. **Cavity**
4. **Door**
The appliance must be operated with the door closed.
5. **Oven door mesh**

6. **Cover of the USB port**
7. **Filter cover**
8. **Battery terminal**

Control panel

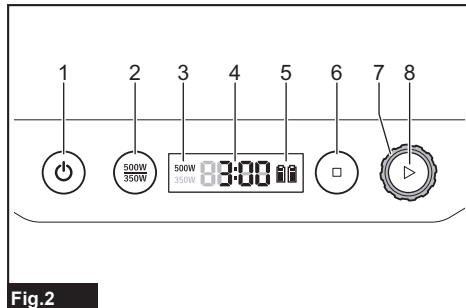


Fig.2

1. **Power switch**
2. **Power selection**
3. **Microwave power**
4. **Operating time / Error code**
5. **Battery indicator**
6. **Pause/Stop**
7. **Time adjustment**
8. **Start**

VOICE GUIDE

- **Heating end tone:**
 - 2 seconds of beep sound. If the door is opened within 2 seconds, the sound is silenced.
 - When there is no operation, "beep, beep, beep" (once every 1 second) sounds every 1 minute.
 - Three minutes after, the appliance turns off without any sounds.
- **Battery depletion prompt tone:**
"Beep, beep, beep", "beep, beep, beep", "beep, beep, beep".
- **When the error code is displayed:**
A short, one "beep".

Quiet mode


After power on, long press the "STOP" and "START" buttons at the same time until "OFF" is displayed to enter the quiet mode. All prompt tones are turned off. In the quiet mode, long press the "STOP" and "START" buttons at the same time until "ON" is displayed to exit the quiet mode. All prompt tones are restored.

ERROR CODE

When the appliance detects a fault, the control panel will display the corresponding error code. Refer the section for error code.

Symbols

The followings show the symbols which may be used for the equipment. Be sure that you understand their meaning before use.

V	volts
—	direct current
	Warning: Hot surface. Risk of burns. Do not touch until cooled.

PREPARATION

CAUTION: Always be sure that the appliance is switched off and the battery cartridge is removed before adjusting or checking function on the appliance.

INSTALLATION

WARNING: Install or locate this appliance only in accordance with the provided installation instructions.

1. Take out all the packing. Check carefully for damage. If any, immediately notify dealer or send to the manufacturer's service center.
2. Place the appliance.
 - Microwave ovens must be placed under dry and non-corrosiveness environments, kept away from heat and humidity, such as gas burner or water tank.
 - To ensure sufficient ventilation, the distance of the back of microwave to the wall should be at least 10 cm, the side to the wall should be at least 2 cm.
 - The position of the oven shall be such that it is far from the TV, Radio or antenna as picture disturbance, or noise may occur. The distance should be more than 2 m.
 - To raise the handle, we recommend to keep the free distance above the top surface at least 10 cm.
 - The microwave oven must not be operated in enclosed spaces such as cabinet. The microwave oven is intended to be used freestanding.

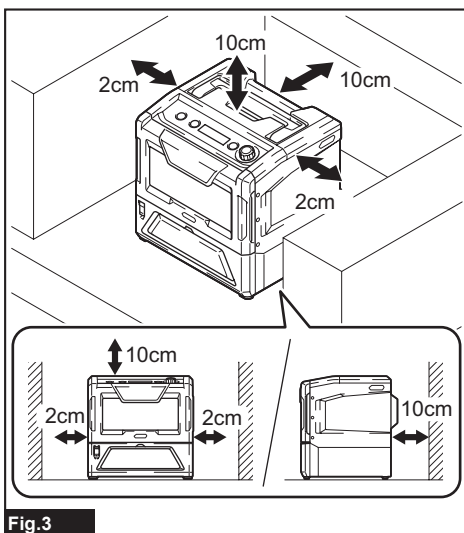


Fig.3

NOTE: When using the appliance for the first time, the appliance may smell the odor or a slight smoke. The cause is manufacturing residue or oil remained on the cavity or heat element. It is normal case and will go away after several times use. Keep the door or window open to ensure good ventilation. It is strongly recommended to place a cup of water in the cavity, setting at 500W and operate for several times.

Battery cartridge

Indicating the remaining battery capacity

Press the check button on the battery cartridge to indicate the remaining battery capacity. The indicator lamps light up for a few seconds.

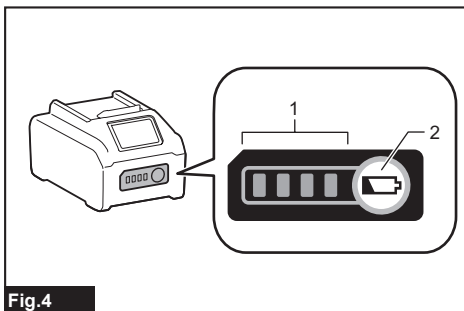


Fig.4

- 1. Indicator lamps 2. Check button

Indicator lamps			Remaining capacity
Lighted	Off	Blinking	
■	□	▧	75% to 100%
■ ■ ■ ■			
■ ■ ■ □			50% to 75%
■ ■ □ □			25% to 50%
■ □ □ □			0% to 25%
▧ □ □ □			Charge the battery.
■ ■ □ □			The battery may have malfunctioned.
□ □ ■ ■	↑ ↓		

NOTE: Depending on the conditions of use and the ambient temperature, the indication may differ slightly from the actual capacity.

NOTE: The first (far left) indicator lamp will blink when the battery protection system works.

UTENSILS GUIDELINE

CAUTION: Never use the metal containers for microwave cooking and combination cooking as spark is likely to occur.

It is strongly recommended to use the containers which are suitable and safe for microwave cooking. Generally speaking, the containers which are made of heat-resistant ceramic, glass or plastic are suitable for microwave cooking.

You can take the reference of below table.

Material of container		Notes
Heat-resistant ceramic	Yes	Never use the ceramics which are decorated with metal rim or glazed.
Heat-resistant plastic	Yes	It cannot be used for long time microwave cooking.
Heat-resistant glass	Yes	
Grill rack	No	
Plastic film	Yes	It should not be used when cooking meat or chops as the over-temperature may do damage to the film.

Attaching the shoulder belt

Optional accessory

CAUTION: Make sure the shoulder belt securely attached properly. Otherwise falling accident may occur.

- Put the belt through the two holes on the handle.
- Buckle the belt.

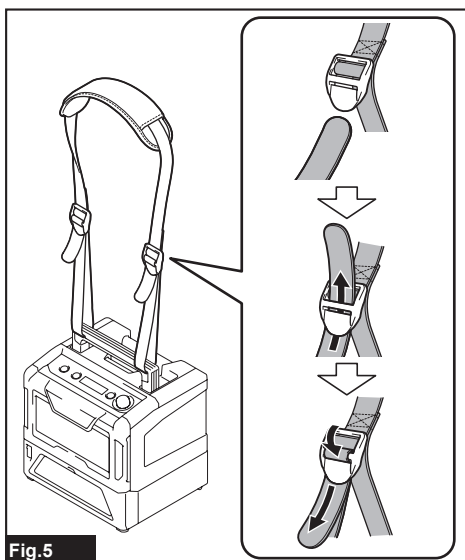


Fig.5

Appliance / battery protection system

The appliance and battery are equipped with the protection system. This system automatically cuts off power to the motor to extend appliance and battery life. The appliance will automatically stop during operation if the appliance or battery is placed under one of the following conditions.

- Overload protection :** When the appliance or battery is operated in a manner that causes it to draw an abnormally high current, the appliance automatically stops without any indication. In this situation, turn the appliance off and stop the application that caused the appliance to become overloaded. Then turn the appliance on to restart.
- Overheat protection :** When the appliance or battery is overheated, the appliance automatically stops. Let the appliance cool down before turning it on again.
- Overdischarge protection :** When the battery capacity becomes low, the appliance stops automatically. If the appliance does not operate even when the switches are operated, remove the battery cartridge from the appliance and charge it.

Door opening and closing protection function

If the door is opened during the operation, the microwave stops working immediately, the light inside the cavity turns on, and the microwave work gets suspended. After the door is closed, the light inside the cavity goes out. Press the start button again to resume the operation.

When opening the door while the program is running and do not close it within 3 minutes, the appliance exit the program and shut down.

The operation does not start without closing the door. When pressing the start button with the door open, the

buzzer beeps once, and displaying code: F09.

Tilt protection

The appliance cannot operate when the appliance is tilted. If the appliance is tilted, the error code: F01 is displayed. Place the appliance horizontally and restart operation.

Protections against other causes

Protection system is also designed for other causes that could damage the appliance and allows the appliance to stop automatically. Take all the following steps to clear the causes, when the appliance has been brought to a temporary halt or stop in operation.

When the error code is displayed, refer the section for the error code.

1. Turn the appliance off, and then turn it on again to restart.
2. Charge the battery(ies) or replace it/them with recharged battery(ies).
3. Let the appliance and battery(ies) cool down.

If no improvement can be found by restoring protection system, then contact your local Makita Service Center.

HOW TO USE

Installing or removing battery cartridge

CAUTION: Always switch off the appliance before installing or removing of the battery cartridge.

CAUTION: Hold the appliance and the battery cartridge firmly when installing or removing battery cartridge. Failure to hold the appliance and the battery cartridge firmly may cause them to slip off your hands and result in damage to the appliance and battery cartridge and a personal injury.

To remove the battery cartridge, slide it from the appliance while sliding the button on the front of the cartridge.

To install the battery cartridge, align the tongue on the battery cartridge with the groove in the housing and slip it into place. Insert it all the way until it locks in place with a little click. If you can see the red indicator on the upper side of the button, it is not locked completely.

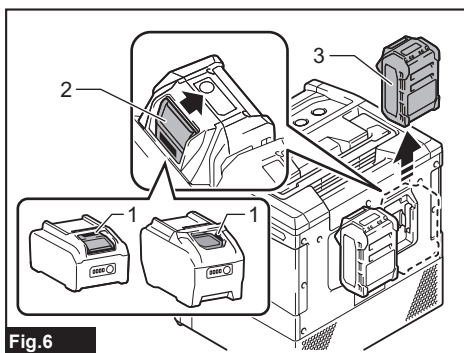


Fig. 6

▶ 1. Red indicator 2. Button 3. Battery cartridge

CAUTION: Always install the battery cartridge fully until the red indicator cannot be seen. If not, it may accidentally fall out of the tool, causing injury to you or someone around you.

CAUTION: Do not install the battery cartridge forcibly. If the cartridge does not slide in easily, it is not being inserted correctly.

NOTE: Up to two battery cartridges can be installed, although the appliance uses one battery cartridge for operation.

If you install two batteries, the appliance use the battery on the right side of the figure first.

BASIC OPERATION

Turning on/off the appliance

Press the power switch for about 0.5 seconds to start the appliance with one beep. After starting the appliance, the control panel displays microwave power of 500W, working time of 0 and battery power information by default and all button lights are on.

If there is no other operation within 3 minutes, it will be shut down automatically, and the display screen and button lights will all go out to enter the power off state.

After power on, press the power switch for about 0.5 seconds to shut down in any state, including heating.

Microwave function

There are two fire power levels, 500W and 350W, respectively.

Press the power selection button to switch between 500W and 350W, the control panel displays the corresponding level.

After the power is selected, turn the time adjustment knob clockwise to increase the time and counterclockwise to reduce the time. The maximum setting time is 20 minutes.

After selecting the power level and time, short press the start button to start microwave heating. A buzzing sound to notify completion of the operation.

After the microwave starts to output, short press the pause/stop button to pause the microwave output.

To resume the operation during pause, short press the start button.

To quit the operation during pause, short press the pause/stop button. The remaining time is reset and the appliance goes into standby mode.

NOTICE: Do not remove the battery frequently immediately after operation. Removing the battery several times immediately after operation does not cause a malfunction, but if it continues, an error may occur.

This appliance is equipped with the cooling fan.

The cooling fan may work to cool the appliance after the operation. Sound of air comes out when the cooling fan is working. This is not malfunction of the appliance.

NOTE: The heating time can be adjusted during heating.

NOTE: The output power cannot be switched during heating.

State of charge

The battery indicators on the control panel show remaining battery capacity.

4	The remaining power is equal to or more than 75%.
3	The remaining power is equal to or more than 50% and less than 75%
2	The remaining power is equal to or more than 25% and less than 50%
1	The remaining power is less than 25%.
0	Empty
Blinking	Charge the battery.

NOTE: Even if the battery capacity is remaining, the control panel may blink to request charging. This is not malfunction of the appliance.

Some of the battery may not be possible to operate when its capacity falls below a certain level due to the specifications.

APPLIED OPERATION

COOKING TIPS

The following factors may affect the cooking result:

Food arrangement

Place thicker areas towards outside of dish, the thinner part towards the centre and spread it evenly. Do not overlap if possible.

Cooking time length

Start cooking with a short time setting, evaluate it after it times out and extend it according to the actual need. Over cooking may result in smoke and burns.

Cooking food evenly

Food such as chicken, hamburger or steak should be turned once during cooking. Depending on the type of food, if applicable, stir it from outside to centre of dish once or twice during cooking.

Whether the food is done

Color and hardness of food help to determine if it is done, these include:

- Steam coming out from all parts of food, not just the edge
- Joints of poultry can be moved easily
- Pork or poultry shows no signs of blood
- Fish is opaque and can be sliced easily with a fork

Browning dish

When using a browning dish or self-heating container, always place a heat-resistant insulator such as a porcelain plate under it to prevent damage to the appliance.

Microwave safe plastic wrap

When cooking food with high fat content, do not allow the plastic wrap come into contact with food as it may melt

Microwave safe plastic cookware

Some microwave safe plastic cookware might not be suitable for cooking foods with high fat and sugar content. Also, the preheating time specified in the dish instruction manual must not be exceeded.

USB

USB output D.C.5V Max 2.4A, automatic identification. The USB output port can be used to charge the mobile phone when it is turned on. During the charging process, the device will not shut down automatically. After stopping charging, if there is no operation for 3 minutes, the appliance shut down.

NOTICE: Connect only devices which are compatible with the USB power supply port. Otherwise it may cause malfunction to the appliance.

NOTICE: Do not connect the USB power supply port of this appliance to the USB terminal of your computer. It may cause malfunction.

NOTICE: Before connecting USB device to the appliance, always backup your data of USB device. Otherwise your data may be lost by any possibility.

NOTICE: When not using devices or after charging, remove the USB cable.

CLEANING

WARNING: Always be sure that the appliance is switched off and the battery cartridge is removed before cleaning.

WARNING: Don't immerse the appliance in water or other fluids when cleaning.

CAUTION: Do not touch the appliance immediately after operation. Wait until the appliance is cooled down completely. Otherwise a burn injury may occur.

CAUTION: Do not remove the oven door mesh.

NOTICE: The appliance should be cleaned regularly and any food deposits removed. Failure to keep the appliance clean may lead to deterioration of the surface that could adversely affect the life of the appliance.

NOTICE: When cleaning surfaces of door and oven that comes together on closing the door, use only mild, nonabrasive soaps, or detergents applied with a sponge or soft cloth. Never use abrasive powder or metal brush to clean any part of the appliance.

After use, wipe the oven door mesh with a damp cloth, followed by dry cloth to remove any food splashes and grease. Built-up grease may overheat and begin to cause smoke or catch fire.

When the appliance has been used for a long time, there may be some strange odors exist in oven.

Following 3 methods can get rid of them:

1. Place several lemon slices in a cup, then heat with 500W for 2-3 minutes.
2. Place a cup of red tea in oven, then heat with 500W.
3. Place some orange peel in oven, and then heat them with 500W for 1 minute.

How to clean the sponge filter:

Clean the filter as shown below. The frequency of cleaning is once a month.

1. Open the filter cover. Remove the sponge filter and take off the dust.
2. Wipe the surface and inside of the filter cover with a cleaning cloth.
3. Wash the sponge filter in water and dry well or blow out the sundries and dust adsorbed in the sponge filter with an air duct. When the sponge filter is damaged and cannot be cleaned, replace the sponge filter in time.

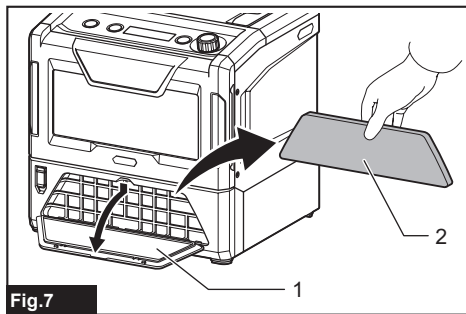


Fig.7

- 1. Filter cover 2. Sponge filter

Storage

When the appliance is not used, place the appliance indoor and ventilated area.

MAINTENANCE and INSPECTION

MAINTENANCE

WARNING: MICROWAVE RADIATION

Remove the battery cartridge before maintenance.

There is microwave radiation and high voltage in the microwave. The high-voltage capacitor still has dangerous voltage within 30 seconds after the power is cut off. It is necessary to use a tool with insulating handle to short-circuit and discharge the capacitor terminal with the shell. **It is strictly prohibited to disassemble and repair by yourself except the maintenance technicians to avoid injury to human body.**

CAUTION: Always be sure that the appliance is switched off, unplugged, and the battery cartridge is removed before attempting to perform inspection or maintenance.

NOTICE: Never use gasoline, benzine, thinner, alcohol or the like. Discoloration, deformation or cracks may result.

To maintain product SAFETY and RELIABILITY, repairs, any other maintenance or adjustment should be performed by Makita Authorized or Factory Service Centers, always using Makita replacement parts.

ERROR CODE

When the appliance detects a fault, the control panel displays the corresponding fault code as follows:

Error code	Matter
F01	The appliance is placed over 30 degrees from level angle. Check whether the appliance is placed horizontally.
F02	Overcurrent. Shut down and restart after replacing the battery.
F03	Overvoltage. Shut down and restart after replacing the battery.
F04	Over-temperature. Let the appliance stand for a period of time and restart the appliance after it cools down.
F09	Over-temperature. Refer the section for the door opening and closing protection function.
Error codes other than the above	Turn off and restart the appliance.

If the error still does not improve, take the appliance to Makita Authorized or Factory Service Centers.

SERVICING

Check the appliance working correctly or not by following:

Place one glass cup of water (approx.150ml) in the

cavity and close the door securely. Let the appliance work for 1 min.

- Does the light inside the cavity turns on?
 - Does the water inside the cavity become hot?
- If "NO" is the answer to any of the above questions, the appliance has some problem inside. Ask Makita Authorized or Factory Service Centers to repair.

OPTIONAL ACCESSORIES

⚠ CAUTION: These accessories or attachments are recommended for use with your Makita appliance specified in this manual. The use of any other accessories or attachments might present a risk of injury to persons. Only use accessory or attachment for its stated purpose.

If you need any assistance for more details regarding these accessories, ask your local Makita Service Center.

- Makita genuine battery and Makita authorized charger
- Shoulder belt

NOTE: Some items in the list may be included in the tool package as standard accessories. They may differ from country to country.

MAKITA LIMITED WARRANTY

Please refer to the annexed warranty sheet for the most current warranty terms applicable to this product. If annexed warranty sheet is not available, refer to the warranty details set forth at below website for your respective country.

United States of America: www.makitatools.com

Canada: www.makita.ca

Other countries: www.makita.com

Makita Corporation
3-11-8, Sumiyoshi-cho,
Anjo, Aichi 446-8502 Japan
www.makita.com

EN
20220527