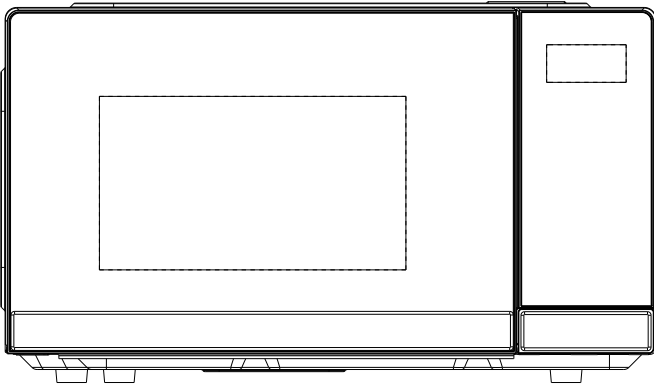


# MICROWAVE OVEN

## INSTRUCTION MANUAL



**C20XP46-A70**

**IMPORTANT SAFETY INSTRUCTIONS  
READ CAREFULLY AND KEEP FOR FUTURE REFERENCE**

**Household use only  
SAVE THESE INSTRUCTIONS**

**IMPORTANT SAFEGUARDS**

When using electrical appliances basic safety precautions should be followed, including the following:

**WARNING** – To reduce the risk of burns, electric shock, fire, injury to persons, or exposure to excessive microwave energy:

1. Read all instructions before using the appliance.
2. Read and follow the specific "PRECAUTIONS TO AVOID POSSIBLE EXPOSURE TO EXCESSIVE MICROWAVE ENERGY" found on page 7.
3. This appliance must be grounded. Connect only to properly grounded outlet. See "GROUNDING INSTRUCTIONS" found on page 8.
4. Install or locate this appliance only in accordance with the provided installation instructions.
5. Some products such as whole eggs and sealed containers – for example, closed glass jars – are able to explode and should not be heated in this oven.
6. Use this appliance only for its intended use as described in the manual. Do not use corrosive chemicals or vapors in this appliance. This type of oven is specifically designed to heat, cook, or dry food. It is not designed for industrial or laboratory use.
7. As with any appliance, close supervision is necessary when used by children.
8. Do not operate this appliance if it has a damaged cord or plug, if it is not working properly, or if it has been damaged or dropped.
9. This appliance should be serviced only by qualified service personnel. Contact nearest authorized service facility for examination, repair, or adjustment.
10. Do not cover or block any openings on the appliance.
11. Do not store this appliance outdoors. Do not use this product near

water – for example, near a kitchen sink, in a wet basement, near a swimming pool, or similar locations.

12. Do not immerse cord or plug in water.
13. Keep cord away from heated surfaces.
14. Do not let cord hang over edge of table or counter.
15. When cleaning surfaces of door and oven that comes together on closing the door, use only mild, nonabrasive soaps, or detergents applied with a sponge or soft cloth.
16. To reduce the risk of fire in the oven cavity:
  - a. Do not overcook food. Carefully attend appliance when paper, plastic, or other combustible materials are placed inside the oven to facilitate cooking.
  - b. Remove wire twist-ties from paper or plastic bags before placing bag in oven.
  - c. If materials inside the oven ignite, keep oven door closed, turn oven off, and disconnect the power cord, or shut off power at the fuse or circuit breaker panel.
  - d. Do not use the cavity for storage purposes. Do not leave paper products, cooking utensils, or food in the cavity when not in use.
17. Liquids, such as water, coffee, or tea are able to be overheated beyond the boiling point without appearing to be boiling. Visible bubbling or boiling when the container is removed from the microwave oven is not always present. THIS COULD RESULT IN VERY HOT LIQUIDS SUDDENLY BOILING OVER WHEN THE CONTAINER IS DISTURBED OR A UTENSIL IS INSERTED INTO THE LIQUID.
18. Notice for extension cord:
  - a. A short power-supply cord is provided to reduce the risks resulting from becoming entangled in or tripping over a longer cord.
  - b. Longer cord sets or extension cords are available and may be used

if care is exercised in their use.

c. If a long cord or extension cord is used:

- 1) The marked electrical rating of the cord set or extension cord should be at least as great as the electrical rating of the appliance;
- 2) The extension cord must be a grounding-type 3-wire cord; and
- 3) The longer cord should be arranged so that it will not drape over the counter top or tabletop where it can be pulled on by children or tripped over unintentionally.

This device complies with Part 18 of the FCC Rules.

The following basic precautions should always be followed when using electrical appliance:

1. Read all instructions before using.
2. Make sure the voltage in your living area corresponding to the one shown on the rating label of the appliance. And the wall socket is properly grounded.
3. TO reduce the risk of fire in the oven cavity:
  - a. DO not overcook the food.
  - b. Remove wire twist -ties from paper or plastic bags before placing bags in the oven.
  - c. Do not heat oil or fat for deep drying as the temperature of oil cannot be controlled.
  - d. After use wipe the waveguide cover with a damp cloth, followed by dry cloth to remove any food splashes and grease. Built -up grease may overheat and begin to cause smoke or catch fire.
  - e. If materials inside the oven should smoke or ignite, keep oven door closed, turn oven off and disconnect the power supply.
  - f. Close supervision is necessary when using disposable containers made from plastic, paper or other combustible material.
4. TO reduce the risk of explosion and sudden boiling:

- a. Do not place sealed containers in the oven. Baby bottles fitted with a screw cap or teat are considered to be sealed containers.
  - b. When boiling liquid in the oven, use the wide -mouthed container and stand about 20 seconds at the end of cooking to avoid delayed eruptive boiling of liquids.
  - c. Potatoes, sausage and chestnut should be peeled or pierced before cooking. Eggs in their shell, whole hard -boiled eggs should not be heated in microwave ovens since they may explode, even after microwave heating has ended.
  - d. The cooked liquid should not be removed out immediately. Several moments should be waited before removing. In order to avoid possible hazards caused by delayed eruptive boiling of liquids.
  - e. The contents of feeding bottles and baby food jars are to be stirred or shaken and the temperature is to be checked before consumption, in order to avoid burns.
5. Never operate the oven further if the door or door seals is damaged or the oven is malfunctioned or supply cord is damaged. Return the appliance to the nearest authorised service center for repair and maintenance. Never try to adjust or repair the oven yourself.
  6. If the supply cord is damaged, it must be replaced by the manufacturer or its service agent or a qualified technician in order to avoid a shock hazard.
  7. After cooking, the container is very hot. Using gloves to take out the food and avoid steam burns by directing steam away from the face and hands.
  8. Slowly lift the furthest edge of dishes cover and microwave plastic wrap and carefully open popcorn and oven cooking bags away from the face.
  9. TO prevent the turntable from breaking:

- a. Let the turntable cool down before cleaning.
  - b. Do not place hot foods or utensils on the cold turntable.
  - c. Do not place frozen foods or utensils on the hot turntable.
10. Make sure the utensils do not touch the interior walls during cooking.
  11. Failure to maintain the oven in a clean condition could lead to deterioration of the surface that could adversely affect the life of the appliance and possibly result in a hazardous situation.
  12. Only use utensils that are suitable for use in microwave ovens.
  13. Do not store food or any other things inside the oven.
  14. Do not operate the oven without any liquid or food inside the oven.  
This would do damage the oven.
  15. This appliance is not intended for using by young children or infirm persons without supervision.
  16. When the appliance is operated in the combination mode, children should only use the oven under adult supervision due to the temperatures generated.
  17. Any accessories not recommended by the manufacturer may cause injuries to persons.
  18. Do not use outdoors.
  19. Save these instructions.
  20. **WARNING:** If the door or door seals are damaged, the oven must not be operated until it has been repaired by a competent person;
  21. **WARNING:** It is hazardous for anyone other than a competent person to carry out any service or repair operation that involves the removal of a cover which gives protection against exposure to microwave energy;
  22. **WARNING:** Liquids and other foods must not be heated sealed container since they are liable to explode;
  23. **WARNING:** Only allow children to use the oven without supervision when adequate instructions have been given so that the child is able to

use the oven in a safe way and understands the hazards of improper use;

24. Only use utensils that are suitable for use in microwave ovens;
25. When heating food in plastic or paper containers, keep an eye on the oven due to the possibility of ignition;
26. If smoke is observed, switch off or unplug the appliance and keep the door closed in order to stifle any flames;
27. Microwave heating of beverages can result in delayed eruptive boiling, therefore care must be taken when handling the container;
28. The contents of feeding bottles and baby food jars shall be stirred or shaken and the temperature checked before consumption, in order to avoid burns ;
29. Eggs in their shell and whole hard -boiled eggs should not be heated in microwave ovens since they may explode, even after microwave heating has ended;
30. The oven should be cleaned regularly and any food deposits removed;
31. Failure to maintain the oven in a clean condition could lead to deterioration of the surface that could adversely affect the life of the appliance and possibly result in a hazardous situation;
32. During use the appliance becomes hot. Care should be taken to avoid touching heating elements inside the oven.
33. **WARNING:** Accessible parts may become hot during use. Young children should be kept away.
34. Do not use harsh abrasive cleaners or sharp metal scrapers to clean the oven door glass since they can scratch the surface, which may result in shattering of the glass.
35. This appliance is not intended for use by persons (including children) with reduced physical, sensory or mental capabilities, or lack of experience and knowledge, unless they have been given supervision

or instruction concerning use of the appliance by a person responsible for their safety.

36. Children should be supervised to ensure that they do not play with the appliance.
37. The appliances are not intended to be operated by means of an external timer or separate remote -control system.
38. The temperature of accessible surfaces may be high when the appliance is operating.



**CAUTION: HOT SURFACE**

## **PRECAUTIONS TO AVOID POSSIBLE EXPOSURE TO EXCESSIVE MICROWAVE ENERGY**

- (a) Do not attempt to operate this oven with the door open since open-door operation can result in harmful exposure to microwave energy. It is important not to defeat or tamper with the safety interlocks.
- (b) Do not place any object between the oven front face and the door or allow soil or cleaner residue to accumulate on sealing surfaces.
- (c) Do not operate the oven if it is damaged. It is particularly important that the oven door close properly and that there is no damage to the: (1) door (bent), (2) hinges and latches (broken or loosened), (3) door seals and sealing surfaces.
- (d) The oven should not be adjusted or repaired by anyone except properly qualified service personnel.

## **PRECAUTIONS TO BE OBSERVED BEFORE AND DURING SERVICING TO AVOID POSSIBLE EXPOSURE TO EXCESSIVE MICROWAVE ENERGY**

- (a) Do not operate or allow the oven to be operated with the door open.



(b) Make the following safety checks on all ovens to be serviced before activating the magnetron or other microwave source, and make repairs as necessary: (1) interlock operation, (2) proper door closing, (3) seal and sealing surfaces (arcing, wear, and other damage), (4) damage to or loosening of hinges and latches, (5) evidence of dropping or abuse.

(c) Before turning on microwave power for any service test or inspection within the microwave generating compartments, check the magnetron, wave guide or transmission line, and cavity for proper alignment, integrity, and connection.

(d) Any defective or misadjusted components in the interlock, monitor, door seal, and microwave generation and transmission systems shall be repaired, replaced, or adjusted by procedures described in this manual before the oven is released to the owner.

(e) A microwave leakage check to verify compliance with the Federal Performance Standard should be performed on each oven prior to release to the owner.

## **GROUNDING INSTRUCTIONS**

This appliance must be grounded. In the event of an electrical short circuit, grounding reduces the risk of electric shock by providing an escape wire for the electric current. This appliance is equipped with a cord having a grounding wire with a grounding plug. The plug must be plugged into an outlet that is properly installed and grounded.

**WARNING** – Improper use of the grounding can result in a risk of electric shock. Consult a qualified electrician or serviceman if the grounding instructions are not completely understood, or if doubt exists as to whether the appliance is properly grounded, and either:

1) If it is necessary to use an extension cord, use only a 3-wire extension cord that has a 3-blade grounding plug, and a 3-slot receptacle that will

accept the plug on the appliance. The marked rating of the extension cord shall be equal to or greater than the electrical rating of the appliance, or

2) Do not use an extension cord. If the power supply cord is too short, have a qualified electrician or serviceman install an outlet near the appliance.

## **INSTALLATION**

1. Remove the package from the microwave and carefully check the microwave for damage. Such as:
  - a. Whether the furnace body is shocked and shows signs of heavy pressure.
  - b. Whether the furnace door is flat and the switch is smooth and flexible.
  - c. Whether the metal insulation mesh on the furnace door is bent or deformed.
  - d. The power cord is loose or loose.

If you find any of the above, please contact your dealer or our special maintenance department immediately.

2. The microwave oven must be placed flat in a ventilated, dry, non-corrosive environment, away from high temperatures and vapors.
3. Do not place any objects on the top of the stove. In order to have sufficient air circulation space, the product should be placed 85cm above the ground. The distance between the sides of the microwave oven and the wall should be no less than 5cm, the distance between the back of the furnace and the wall should be no less than 10cm and the distance from the top wall cabinet should be no less than 20cm.
4. The microwave oven should be away from the TV, radio and antenna (generally greater than 5m), otherwise it will cause interference.
5. The microwave oven should be placed in the place where the power cable is convenient to plug in, and the grounding is guaranteed to be good. In case of leakage, the grounding wire can be formed.

The current loop avoids electric shock.

6. Be sure to operate the microwave oven with the door closed.

7. Do not place the microwave in the cabinet.

8. When using the microwave oven for the first time, since the residue or grease in the manufacturing process exists in the furnace cavity or on the heating pipe, there may often be odor and even white smoke during heating.

This is a normal phenomenon and has been used several times. After this, this will not happen, pay attention to open the doors and windows to maintain good ventilation.

## CLEANING

### MICROWAVE OVEN CARE



#### CAUTION

The oven should be cleaned regularly and any food deposits removed.



#### WARNING

1. Remove the power cord from the wall outlet before cleaning. Don't immerse the appliance in water or other fluids when cleaning.

2. Failure to maintain the oven in a clean condition could lead to deterioration of the surface that could adversely affect the life of the appliance and possibly result in a hazardous situation

3. Never use hard detergent, gasoline, abrasive powder or metal brush to clean any part of the appliance

4. Do not remove the waveguide cover

5. When the microwave oven has been used for a long time, there may be some strange odors exist in oven, Following 3 methods can get rid of them:

a. Place several lemon slices in a cup, then heat with high Micro Power for 2-3 minutes.

**b.** Place a cup of red tea in oven, then heat with high micro power for 2-3 minutes.

**c.** Put some orange peel into oven, and then heat them with high Micro Power for 1 minute.

**6. WARNING:** Only allow children to use the oven without supervision when adequate instructions have been given so that the child is able to use the oven in a safe way and understands the hazards of improper use.

**TIPS FOR CLEANING**

Details for cleaning door seals, cavity and adjacent parts:

**Exterior:**

Wipe the enclosure with a dampened soft cloth

**Door:**

Using a dampened soft cloth, wipe clean the door and window

Wipe the door seals and adjacent parts to remove any spill or spatter

Wipe the control panel with a slightly dampened soft cloth

**Interior walls:**

Wipe clean the cavity with a dampened soft cloth

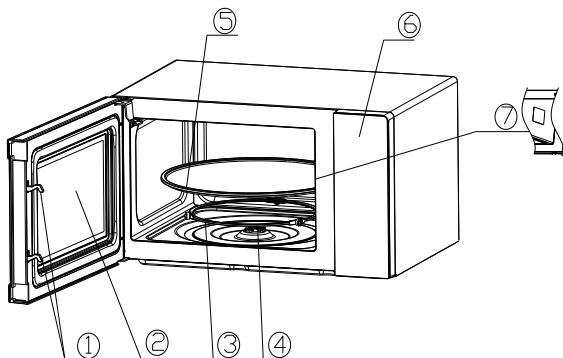
Wipe clean the waveguide cover to remove any food splashed

**Turntable/ Rotation ring/ Rotation axis:**

Wash with mild soap water

Rinse with clean water and allow drying thoroughly

**PRODUCT INSTRUCTION**



**1) Door lock**

Microwave oven door must be properly closed in order for it to operate

**2) Viewing window**

Allow user to see the cooking status

**3) Rotating ring**

The glass turntable sits on its wheels; it supports the turntable and helps it to balance when rotating

**4) Rotating axis**

The glass turntable sits on the axis; the motor underneath it drives the turntable to rotate

**5) Turntable**

The food sits on the turntable, its rotation during operation helps to cook food evenly

**⚠ CAUTION**

- Place the rotating ring first
- Fit the turntable onto the rotating axis and make sure that it is geared in properly

**6) Control panel**

See below in details (the control panel is subject to change without prior notice)

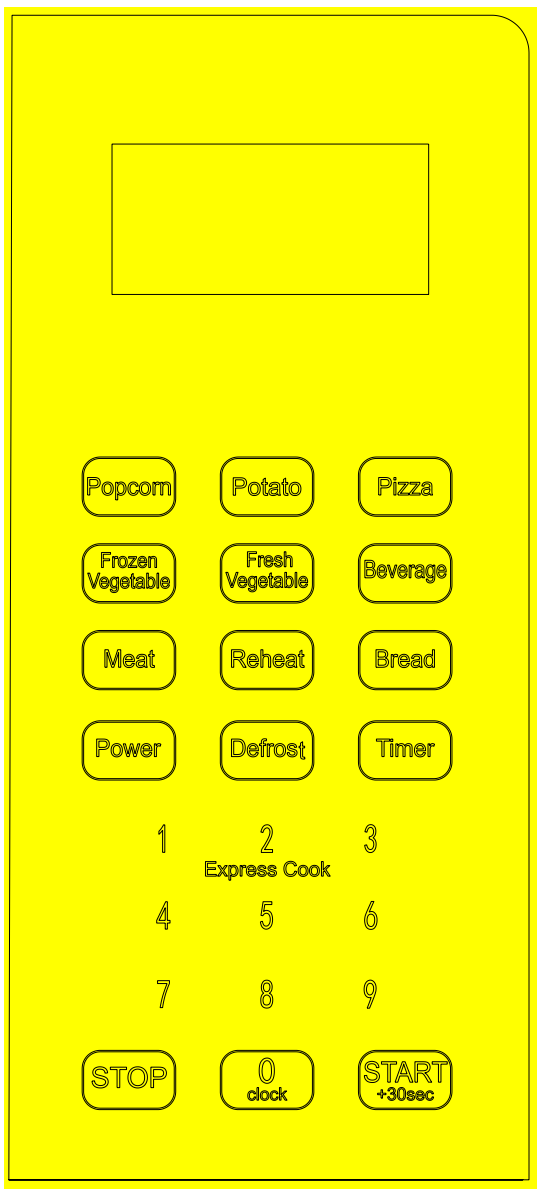
**7) Outer cover**

Used for wrapping and protecting the internal structural parts and electrical components of the whole machine

**Waveguide cover**

It is inside the microwave oven, next to the wall of control panel.

## OPERATION OF CONTROL PANEL



## 1. BEFORE COOKING

The display lights up when plugged in power supply, then enter the standby state and display shows 0:00.

## 2. MICROWAVE FUNCTION

There are five firepower levels, 100P, 80P, 50P, 30P and 10P, respectively. Press the “Microw.” button continuously and select the desired microwave power. Press 0~9 number button to input the cooking time, the maximum time that can be input is 99:99. After entering the cooking time, press “START/+30s” button to start work. An buzzing sound to notify completion of the operation.

HIGH	100% power output	(Applicable for quick and thorough cooking)
M.High	80% power output	(Applicable for medium express cooking)
Med	50% power output	(Applicable for steaming food)
M.Low	30% power output	(Applicable for defrosting food)
LOW	10% power output	(Applicable for keeping warm)

### CAUTION

- 1) The max time which can be set is 99 minutes and 99 seconds.
- 2) Never operate the oven empty. Do not use metal utensils to avoid damage to the microwave oven or danger.
- 3) During the operation, if you take out the food, close the oven door and press the “START/+30s” button again, the preset procedure will continue.
- 4) If you intend to remove the food before preset time, you must press “STOP” button once to clear the preset procedure to avoid unintended operation of next time use.
- 5) In order to avoid the long-term high-power work affecting the life of the microwave oven, after a certain period of high-power work. It will automatically reduce the power.

### 3. DEFROST

There are two defrost mode, dEF1 and dEF2, respectively. dEF1 for defrost by weight and dEF2 for defrost by time. Press “Defrost” button continuously to select the defrost mode then Press 0~9 number buttons to input the food weight or defrosting time. The maximum weight that dEF1 can input is 1500g and the maximum time that dEF2 can input is 99:99. After entering, press the “START/+30s” button start to work. An buzzing sound to notify completion of the operation. The dEF1 defrost mode by weight will have a beeping sound to prompt the food to be turned over during defrosting.

Below is some food defrosting time advice:

dEF1	For defrosting, the weight range from 0.1 to 1.5 kg.
dEF2	For defrosting, the time range from 0:10 to 99:99

#### CAUTION

- a. It is necessary to turn over the food during operation to obtain uniform effect.
- b. Usually defrosting will need longer time than that of cooking the food.
- c. If the food can be cut by knife, the defrosting process can be considered completed.
- d. Microwave penetrates around 4cm into most food
- e. Defrosted food should be consumed as soon as possible, it is not advised to put back to fridge and freeze again.

### 4. TIMER FUNCTION

The Timer function is mainly used for the countdown. In standby mode, press the "Timer" button to select the Timer function and then press 0 ~ 9 number buttons to input the time. The maximum time that can be input is 99:99. After setting the time, press "Start/+30s" button to start and the



countdown starts from the set time, and decreases to 0. After the countdown, the microwave oven will have a long beep to prompt the user. Timer function in operation, the microwave does not work.

## 5. REHEAT

Reheat function is mainly to facilitate users to heat food according to the weight of food, press “Reheat” button continuously, select the appropriate weight of food, the weight range can be selected is 200g,400g, 600g, 800g and 1000g. After select the weight, press “START/+30s” button to start work, an buzzing sound to notify completion of the operation.

## 6. EXPRESS COOK

In standby mode, you can directly press the 1~6 number buttons to start the microwave oven. The working time is 1 to 6 minutes. That is, press 1 to work for 1 minute, press 2 to work for 2 minutes, and so on. An buzzing sound to notify completion of the operation.

## 7. AUTO COOKING

There are eight automatic menus, Potato, Pasta, Pizza, Popcorn, Vegetable, Beverage, Meat and Fish respectively. Press the Menu button which to be selected continuously to select the desired food weight, then press “START/+30s” button to start work. An buzzing sound to notify completion of the operation.

Display	Kind	Method
A.1	Potato	Applicable for the weight range from 0.25-0.75kg.
A.2	Pasta	Applicable for the weight range from 0.05-0.15kg.
A.3	Pizza	Applicable for the weight range from 0.2-0.4kg.
A.4	Popcorn	Applicable for the weight range from 0.01-0.1kg

<b>A.5</b>	<b>Vegetable</b>	Applicable for the weight range from 0.2-0.6kg
<b>A.6</b>	<b>Beverage</b>	Applicable for the weight range is 1 cup, 2 cups or 3 cups, each one about 250ml.
<b>A.7</b>	<b>Meat</b>	Applicable for the weight range from 0.2-0.6kg
<b>A.8</b>	<b>Fish</b>	Applicable for the weight range from 0.2-0.6kg

## **CAUTION**

- a. The temperature of food before cooking would be 20-25°C. Higher or lower temperature of the food before cooking would require increase or decrease of cooking time.
- b. The temperature, weight and shape of food will largely influence the cooking effect. If any deviation has been found to the factor noted on above menu, you can adjust the cooking time for best result.

## **8. STOP**

In the process of cooking settings, can press “STOP” button to cancel the settings and return to standby state. In the process of microwave oven working, can press “STOP” button to pause. In the standby state, can press “STOP” button again to cancel the function and return to standby state.

## **9. START/+30s**

In standby state, press “START/+30s” button to start microwave oven immediately, microwave oven starts to work in 30 seconds with high power, which is convenient for users to heat food quickly. In working state, can press “START/+30s” button to increase time, press one time to increase 30 seconds, but the menu mode and weight defrosting mode can not adjust time. In pause state, can press “START/+30s” button to continue the

microwave oven before cooking mode.

## 10.CHILD LOCK FUNCTION

Use this feature to lock the control panel when you are cleaning or so that children can not use the oven unsupervised. All the buttons are rendered inoperable in this mode.

- 1) Set lock: Hold STOP button about 3 seconds.
- 2) Cancel lock: Hold STOP button about 3 seconds

### UTENSILS GUIDELINE

It is strongly recommended to use the containers which are suitable and safe for microwave cooking. Generally speaking, the containers which are made of heat-resistant ceramic, glass or plastic are suitable for microwave cooking. Never use the metal containers for microwave cooking and combination cooking as spark is likely to occur. You can take the reference of below table.

Material of container	Microwave	Notes
Heat-resistant ceramic	Yes	Never use the ceramics which are decorated with metal rim or glazed
Heat-resistant plastic	Yes	Can not be used for long time microwave cooking
Heat-resistant glass	Yes	
Grill rack	No	
Plastic film	Yes	It should not be used when cooking meat or chops as the over-temperature may do damage to the film

## **COOKING TIPS**

The following factors may affect the cooking result:

### **Food arrangement**

Place thicker areas towards outside of dish, the thinner part towards the centre and spread it evenly. Do not overlap if possible.

### **Cooking time length**

Start cooking with a short time setting, evaluate it after it times out and extend it according to the actual need. Over cooking may result in smoke and burns.

### **Cooking food evenly**

Food such as chicken, hamburger or steak should be turned once during cooking.

Depending on the type of food, if applicable, stir it from outside to centre of dish once or twice during cooking

### **Allow standing time**

After cooking times out, leave the food in the oven for an adequate length of time, this allows it to complete its cooking cycle and cooling it down in a gradual manner

### **Whether the food is done**

Color and hardness of food help to determine if it is done, these include:

- Steam coming out from all parts of food, not just the edge
- Joints of poultry can be moved easily
- Pork or poultry shows no signs of blood
- Fish is opaque and can be sliced easily with a fork

### **Browning dish**

When using a browning dish or self-heating container, always place a heat-resistant insulator such as a porcelain plate under it to prevent damage to the turntable and rotating ring.

**Microwave safe plastic wrap**

When cooking food with high fat content, do not allow the plastic wrap come into contact with food as it may melt

**Microwave safe plastic cookware**

Some microwave safe plastic cookware might not be suitable for cooking foods with high fat and sugar content. Also, the preheating time specified in the dish instruction manual must not be exceeded

**MAINTENANCE**

**SERVICING**

Please check the following before calling for services.

1. Place one cup of water (approx.150ml) in a glass measure in the oven and close the door securely. Oven lamp should go off if the door is closed properly. Let the oven work for 1 min.

2. Does the oven lamp light?

3. Does the cooling fan work?

(Put your hand over the rear ventilation openings.)

4. Does the turntable rotate?

(The turntable can rotate clockwise or counter clockwise. This is quite normal.)

5. Is the water inside the oven hot?

If “NO” is the answer to any of the above questions, please check your wall socket and the fuse in your meter box.

If both the wall socket and the fuse are functioning properly, CONTACT YOUR NEAREST SERVICE CENTER APPROVED.

## SERVICING SAFEGUARDS

### Caution: MICROWAVE RADIATION


1. The high voltage capacitor remains charge after disconnection; short the negative terminal of H. V capacitor to the oven chassis (use a screwdriver) to discharge before touching.

2. During servicing below listed parts are liable to be removed and give access to potentials above 127V to earth.

- Magnetron
- High voltage transformer
- High voltage capacitor
- High voltage diode
- High voltage fuse

3. The following conditions may cause undue microwave exposure during servicing.

- Improper fitting of magnetron;
- Improper matching of door interlock, door hinge and door;
- Improper fitting of switch support;
- Door, door seal or enclosure has been damaged.

<b>Correct Disposal of this product</b>	
	This marking indicates that this product should not be disposed with other household wastes throughout the EU. To prevent possible harm to the environment or human health from uncontrolled waste disposal, recycle it responsibly to promote the sustainable reuse of material resources. To return your used device, please use the return and collection systems or contact the retailer where the product was purchased. They can take this product for environmental safe recycling.