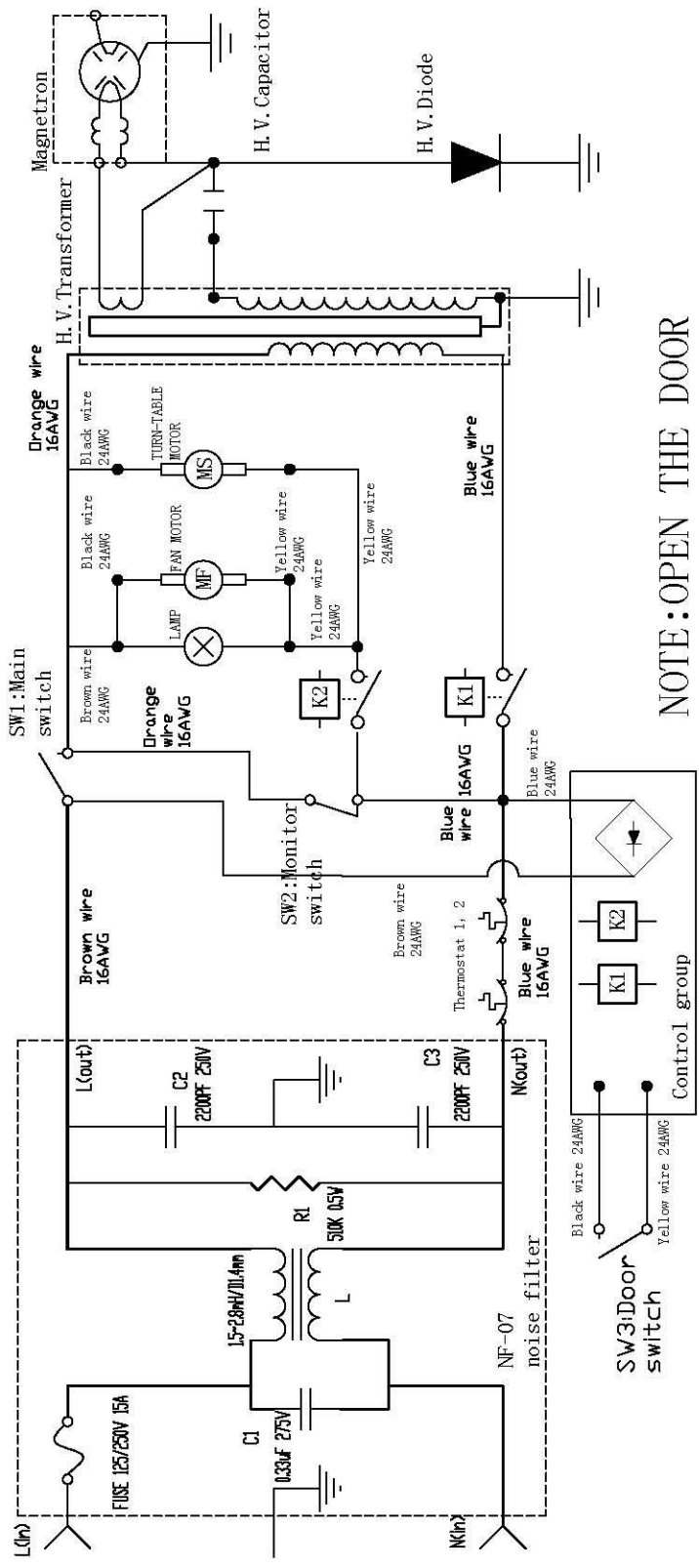


DOC. NO:



NOTE: OPEN THE DOOR

MAT'L:		UNIT		SCALE		WEIGHT	
DUNLIM WEILL ELECTRICAL APPLIANCES CO., LTD							
TITLE:		PHASE MARKING		DATE		SIGN	
(CETL, FDA)							
DWG. NO:		S		A		B	
25UX40-00-32		mm		mm		mm	
MATERIAL CODE:		SHEET:		FIRST ANGLE PROJECTION		DATE	
MODEL: 25UX04 MICROWAVE OVEN		APPROVED/DATE		STANDARD/DATE		CRAFT/DATE	

8 7 6 5 4 3 2 1

A

B

C

D

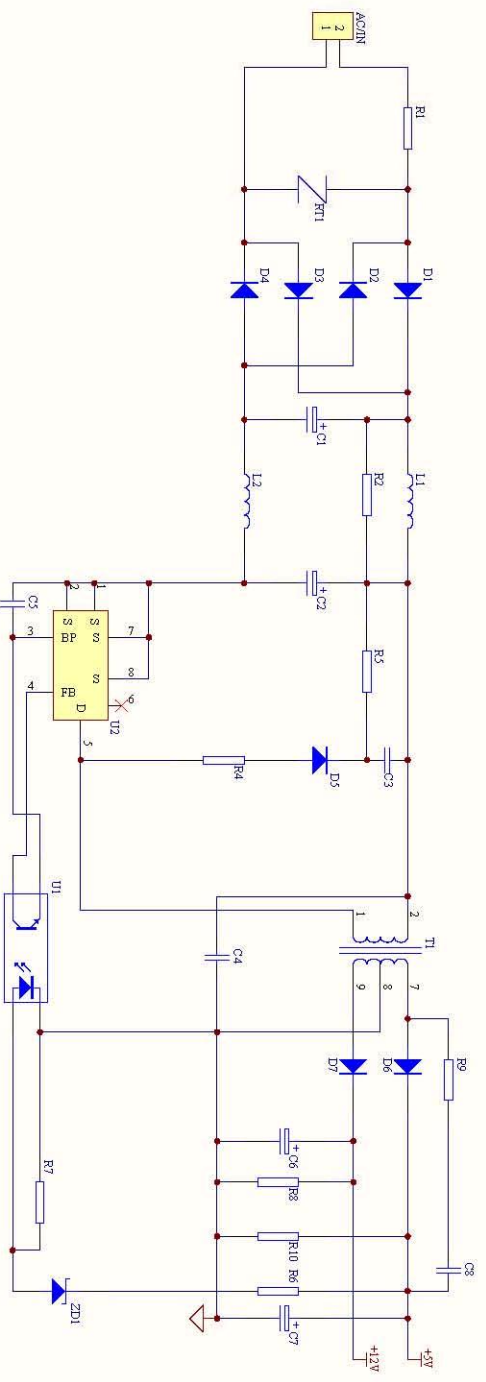
E

F

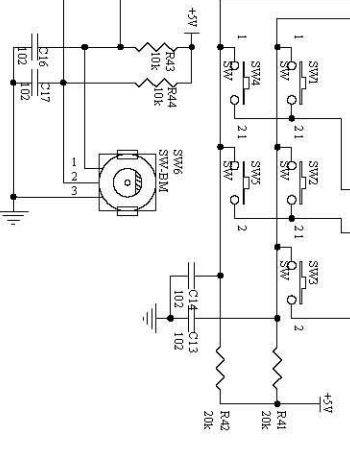
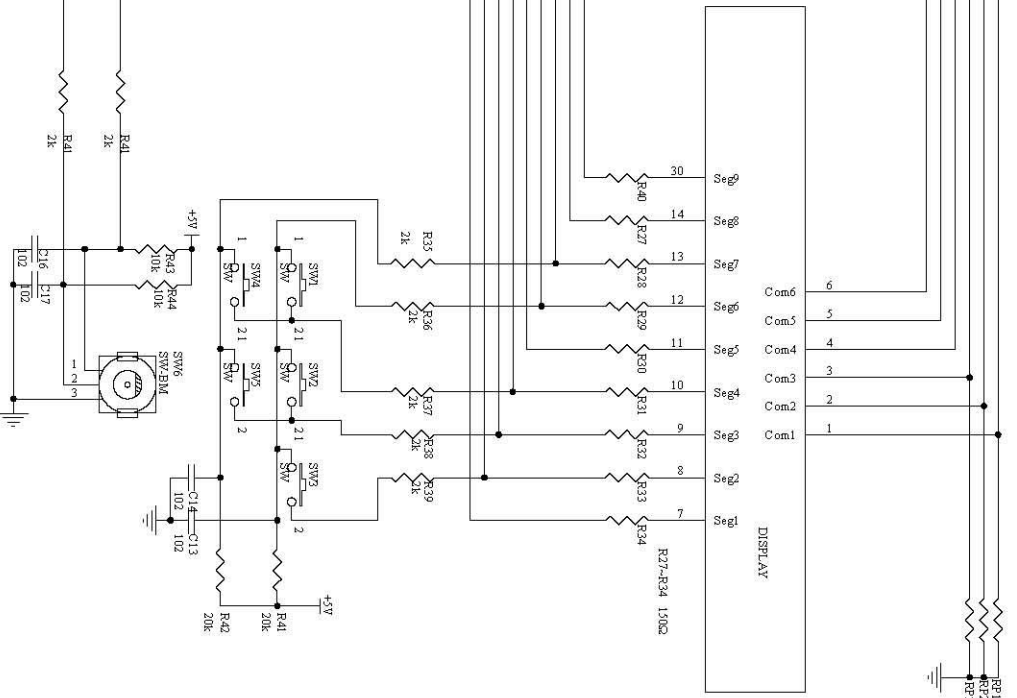
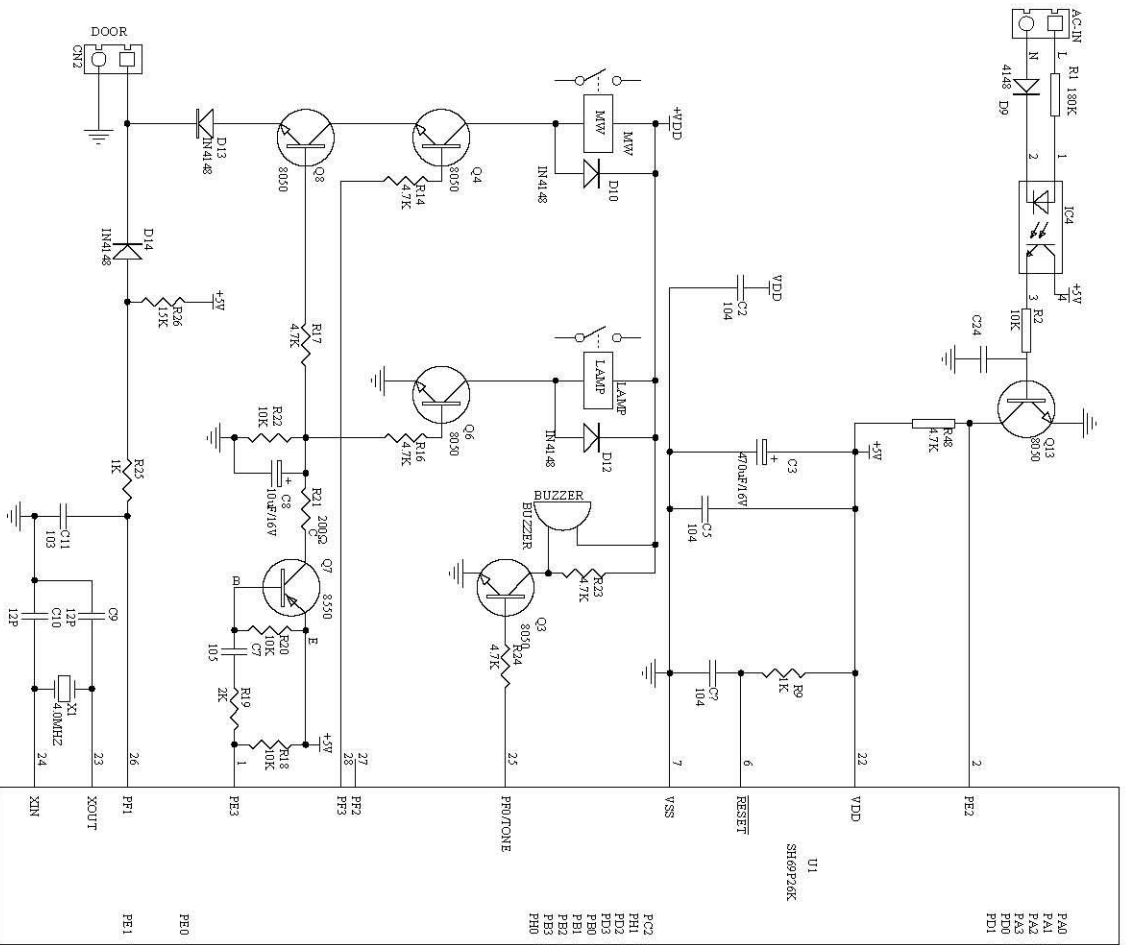
8 7 6 5 4 3 2 1

DOC.NO:

TOLERANCE			
GRADE	A	B	C
SCALE	mm	mm	mm
-10	0.1	0.2	0.3
10-30	0.2	0.3	0.5
30-100	0.3	0.5	0.7
100-300	0.5	0.8	1.2
300-1000	0.8	1.0	2.5
ANGLE	1	2	5



1	2	3	4	5	6	7	8																																																	
							<table border="1"> <thead> <tr> <th>GRADE</th> <th>A</th> <th>B</th> <th>C</th> </tr> <tr> <th>SCALE</th> <th>mm</th> <th>mm</th> <th>mm</th> </tr> </thead> <tbody> <tr> <td>-10</td> <td>0.1</td> <td>0.2</td> <td>0.3</td> </tr> <tr> <td>10-30</td> <td>0.2</td> <td>0.3</td> <td>0.5</td> </tr> <tr> <td>30-100</td> <td>0.3</td> <td>0.5</td> <td>0.7</td> </tr> <tr> <td>100-300</td> <td>0.5</td> <td>0.8</td> <td>1.2</td> </tr> <tr> <td>300-1000</td> <td>0.8</td> <td>1.0</td> <td>2.5</td> </tr> <tr> <td>ANGLE</td> <td>1</td> <td>2</td> <td>5</td> </tr> </tbody> </table>		GRADE	A	B	C	SCALE	mm	mm	mm	-10	0.1	0.2	0.3	10-30	0.2	0.3	0.5	30-100	0.3	0.5	0.7	100-300	0.5	0.8	1.2	300-1000	0.8	1.0	2.5	ANGLE	1	2	5																
GRADE	A	B	C																																																					
SCALE	mm	mm	mm																																																					
-10	0.1	0.2	0.3																																																					
10-30	0.2	0.3	0.5																																																					
30-100	0.3	0.5	0.7																																																					
100-300	0.5	0.8	1.2																																																					
300-1000	0.8	1.0	2.5																																																					
ANGLE	1	2	5																																																					
							<table border="1"> <tr> <td colspan="2">MATERIAL:</td> <td colspan="2">PHASE MARKING</td> <td colspan="2">UNIT SCALE</td> <td colspan="2">WEIGHT</td> </tr> <tr> <td colspan="2"></td> <td colspan="2">S A B</td> <td colspan="2">mm</td> <td colspan="2">1:1</td> </tr> </table>		MATERIAL:		PHASE MARKING		UNIT SCALE		WEIGHT				S A B		mm		1:1																																	
MATERIAL:		PHASE MARKING		UNIT SCALE		WEIGHT																																																		
		S A B		mm		1:1																																																		
							<table border="1"> <tr> <td colspan="2">TITLE:</td> <td colspan="2">DWG.NO:</td> <td colspan="2">MATERIAL CODE:</td> <td colspan="2">MODEL:</td> </tr> <tr> <td colspan="2">DONJIM WEILL ELECTRICAL APPLIANCES CO, LTD</td> <td colspan="2"></td> <td colspan="2">28041000207221</td> <td colspan="2">250348</td> </tr> </table>		TITLE:		DWG.NO:		MATERIAL CODE:		MODEL:		DONJIM WEILL ELECTRICAL APPLIANCES CO, LTD				28041000207221		250348																																	
TITLE:		DWG.NO:		MATERIAL CODE:		MODEL:																																																		
DONJIM WEILL ELECTRICAL APPLIANCES CO, LTD				28041000207221		250348																																																		
							<table border="1"> <tr> <td colspan="2">MARK QTY</td> <td colspan="2">SUBAREA NO</td> <td colspan="2">REVISED DOC</td> <td colspan="2">SIGN DATE</td> </tr> <tr> <td colspan="2"></td> <td colspan="2"></td> <td colspan="2"></td> <td colspan="2"></td> </tr> <tr> <td colspan="2">PREPARED /DATE</td> <td colspan="2">CRAFT/DATE</td> <td colspan="2">STANDARD/DATE</td> <td colspan="2">FIRST ANGLE PROJECTION</td> </tr> <tr> <td colspan="2"></td> <td colspan="2"></td> <td colspan="2"></td> <td colspan="2"> </td> </tr> <tr> <td colspan="2">CHECKEN/DATE</td> <td colspan="2">APPROVED/DATE</td> <td colspan="2"></td> <td colspan="2"></td> </tr> <tr> <td colspan="2"></td> <td colspan="2"></td> <td colspan="2"></td> <td colspan="2"></td> </tr> </table>		MARK QTY		SUBAREA NO		REVISED DOC		SIGN DATE										PREPARED /DATE		CRAFT/DATE		STANDARD/DATE		FIRST ANGLE PROJECTION										CHECKEN/DATE		APPROVED/DATE													
MARK QTY		SUBAREA NO		REVISED DOC		SIGN DATE																																																		
PREPARED /DATE		CRAFT/DATE		STANDARD/DATE		FIRST ANGLE PROJECTION																																																		
CHECKEN/DATE		APPROVED/DATE																																																						
							<table border="1"> <tr> <td colspan="2">MATERIAL:</td> <td colspan="2">PHASE MARKING</td> <td colspan="2">UNIT SCALE</td> <td colspan="2">WEIGHT</td> </tr> <tr> <td colspan="2"></td> <td colspan="2">S A B</td> <td colspan="2">mm</td> <td colspan="2">1:1</td> </tr> </table>		MATERIAL:		PHASE MARKING		UNIT SCALE		WEIGHT				S A B		mm		1:1																																	
MATERIAL:		PHASE MARKING		UNIT SCALE		WEIGHT																																																		
		S A B		mm		1:1																																																		
							<table border="1"> <tr> <td colspan="2">TITLE:</td> <td colspan="2">DWG.NO:</td> <td colspan="2">MATERIAL CODE:</td> <td colspan="2">MODEL:</td> </tr> <tr> <td colspan="2">DONJIM WEILL ELECTRICAL APPLIANCES CO, LTD</td> <td colspan="2"></td> <td colspan="2">28041000207221</td> <td colspan="2">250348</td> </tr> </table>		TITLE:		DWG.NO:		MATERIAL CODE:		MODEL:		DONJIM WEILL ELECTRICAL APPLIANCES CO, LTD				28041000207221		250348																																	
TITLE:		DWG.NO:		MATERIAL CODE:		MODEL:																																																		
DONJIM WEILL ELECTRICAL APPLIANCES CO, LTD				28041000207221		250348																																																		
							<table border="1"> <tr> <td colspan="2">MARK QTY</td> <td colspan="2">SUBAREA NO</td> <td colspan="2">REVISED DOC</td> <td colspan="2">SIGN DATE</td> </tr> <tr> <td colspan="2"></td> <td colspan="2"></td> <td colspan="2"></td> <td colspan="2"></td> </tr> <tr> <td colspan="2">PREPARED /DATE</td> <td colspan="2">CRAFT/DATE</td> <td colspan="2">STANDARD/DATE</td> <td colspan="2">FIRST ANGLE PROJECTION</td> </tr> <tr> <td colspan="2"></td> <td colspan="2"></td> <td colspan="2"></td> <td colspan="2"> </td> </tr> <tr> <td colspan="2">CHECKEN/DATE</td> <td colspan="2">APPROVED/DATE</td> <td colspan="2"></td> <td colspan="2"></td> </tr> <tr> <td colspan="2"></td> <td colspan="2"></td> <td colspan="2"></td> <td colspan="2"></td> </tr> </table>		MARK QTY		SUBAREA NO		REVISED DOC		SIGN DATE										PREPARED /DATE		CRAFT/DATE		STANDARD/DATE		FIRST ANGLE PROJECTION										CHECKEN/DATE		APPROVED/DATE													
MARK QTY		SUBAREA NO		REVISED DOC		SIGN DATE																																																		
PREPARED /DATE		CRAFT/DATE		STANDARD/DATE		FIRST ANGLE PROJECTION																																																		
CHECKEN/DATE		APPROVED/DATE																																																						



MODEL:	25UX40		PARTNO:	
TITLE:			DWGNO:	
UNITS:	mm	A4	SCALE:	MATL.
QTY:			PREPARED BY:	DATE:
			CHECKED BY:	DATE:
			REVIEWED BY:	DATE:
			APPROVED BY:	DATE: