

NOSTALGIA™

P R O D U C T S

All products are trademarks of Nostalgia Products LLC.
Worldwide design & utility patented or patents pending.
© 2019 Nostalgia Products LLC.

www.nostalgiaproducts.com

(rev. 09/25/19 WL)

NOSTALGIA™



MCM09FTSG

Mid-Century Retro 0.9 Cu. Ft. Microwave
Mediados de siglo Retro, 0.9 Pies Cúbicos
Le milieu le siècle Retro 0.9 Cu. Ft. Four à micro-ondes

Instructions
Instrucciones
Instructions

Make every day a party!

Visit www.nostalgiaproducts.com for more fun products.

CONTENTS

SAFETY 2

IMPORTANT SAFEGUARDS 3

ADDITIONAL IMPORTANT SAFEGUARDS 3

INTRODUCTION 5

GROUNDING THE UNIT 6

PARTS & ASSEMBLY 7

HOW TO OPERATE 8

CONTROL PANEL 9

COOKING 11

HELPFUL TIPS 12

CLEANING & MAINTENANCE 13

RETURNS & WARRANTY 14

SAFETY

Your safety and the safety of others is very important.

We have provided many important safety messages in this manual and on your appliance. Always read and obey all safety messages.



This is the safety alert symbol.

This symbol alerts you to potential hazards that can cause serious injury to you and others.

All safety messages will follow the safety alert symbol.

All safety messages will tell you what the potential hazard is, tell you how to reduce the chance of injury, and tell you what can happen if the instructions are not followed.

Appliance Specifications:

- 120 Volts, 60 Hertz
- Rated Output: 900 Watts
- 0.9 Cubic Feet



THIS PRODUCT IS FOR USE IN 120V AC OUTLET ONLY.

Refer to www.nostalgiaproducts.com/user-manuals/ for the most updated manual.

IMPORTANT SAFEGUARDS


A person who has not read and understood all operating and safety instructions is not qualified to operate this appliance. All users of this appliance must read and understand this Instruction Manual before operating or cleaning this appliance.




When using electrical appliances, basic safety precautions should always be followed, including:

1. **Read all instructions before operating this appliance.**
2. DO NOT TOUCH the hot surfaces. Use handles or knobs.
3. This appliance is NOT A TOY.
4. Unsupervised young children and cognitively challenged individuals should never operate this appliance.
5. Close supervision is necessary when any appliance is used by or near children.
6. To protect against electrical shock do not immerse cord, plug or any part of this appliance in water or other liquids.
7. Unplug from outlet when not in use, before removing parts and before cleaning. Allow to cool before putting on or taking off any parts, and before cleaning.
8. DO NOT operate any appliance with a damaged cord or plug, or after the appliance malfunctions, or if the appliance has been damaged in any manner. Return the appliance to the nearest repair shop for examination, repair or adjustment.
9. The manufacturer does not recommend the use of accessory attachments other than what is provided by the manufacturer. Use of attachments may cause injuries.
10. DO NOT use the appliance for other than its intended use.
11. DO NOT use outdoors. FOR HOUSEHOLD USE ONLY.
12. DO NOT place on or near a hot gas or electric burner, or in a heated oven.
13. DO NOT let cord hang over edge of table or counter, or touch hot surfaces.
14. NEVER leave unit unattended while in use or when plugged into an outlet.
15. Extreme caution must be used when moving an appliance containing hot food.
16. Always attach plug to appliance first, then plug cord in the wall outlet. To disconnect, turn any control to "off," then remove plug from wall outlet.

ADDITIONAL IMPORTANT SAFEGUARDS

Operating Safety Precautions

1. Avoid contact with moving parts.
2. Check appliance for presence of foreign objects prior to use.
3. NEVER put any metal objects, bowls or utensils in the microwave oven during cooking.
4. Some products, such as whole eggs and sealed containers/closed glass jars, may explode and should not be heated in this oven. Foods like potatoes, sausages or chestnuts should be peeled or pierced before cooking.
5.  NEVER put anything living into the microwave oven for risk of severe injury or death.

6. Use this appliance only for its intended use as described in this manual. Do not use corrosive chemicals or vapors in this appliance. This type of oven is specifically designed to heat, cook or dry food. It is not designed for industrial or laboratory use.
7. Do not cover or block any openings on the appliance.
8.  PRECAUTIONS TO AVOID POSSIBLE EXPOSURE TO EXCESSIVE MICROWAVE ENERGY:
 - a. Do not attempt to operate this oven with the door open; open-door operation can result in harmful exposure to microwave energy. It is important not to defeat or tamper with the safety interlocks.
 - b. Do not place any object between the oven front face and the door or allow soil or cleaner residue to accumulate on sealing surfaces.
 - c. Do not operate the oven if it is damaged. It is particularly important that the oven door close properly and that there is no damage to the: (1) door (bent), (2) hinges and latches (broken or loosened), (3) door seals and sealing surfaces.
 - d. The oven should not be adjusted or repaired by anyone except properly qualified service personnel.
9.  To reduce the risk of fire in the oven cavity:
 - a. Do not overcook food. Carefully attend appliance when paper, plastic or other combustible materials are placed inside the oven to facilitate cooking.
 - b. Remove wire twist-ties from paper or plastic bags before placing bag in oven.
 - c. If materials inside the oven ignite, keep oven door closed, turn oven off and disconnect the power cord or shut off power at the fuse or circuit breaker panel.
 - d. Do not use the cavity for storage purposes. Do not leave paper products, cooking utensils or food in the cavity when not in use.
 - e. Avoid built-up grease, which is flammable, by cleaning microwave with a damp cloth after use. DO NOT place inside of a dishwasher to clean.
10.  Liquids, such as water, coffee or tea, are able to be overheated beyond the boiling point without appearing to be boiling. Visible bubbling or boiling when the container is removed from the microwave oven is not always present. THIS COULD RESULT IN VERY HOT LIQUIDS SUDDENLY BOILING OVER WHEN A SPOON OR OTHER UTENSIL IS INSERTED INTO THE LIQUID.
11. To reduce the risk of injury to persons:
 - f. Do not overheat the liquid.
 - g. Stir the liquid both before and halfway through heating it.
 - h. Do not use straight-sided containers with narrow necks. Use a wide-mouthed container.
 - i. After heating, allow the container to stand in the microwave oven at least for 20 seconds before removing the container.
 - j. Use extreme care when inserting a spoon or other utensil into the container.
 - k. If the oven light fails, consult an authorized service technician or electrician.
 - l. This appliance must be properly grounded. See Grounding Instructions for information on how to ground this appliance.

Instructions for the Electrical Cord and Plug

1. ELECTRICAL SHOCK HAZARD: Failure to follow these instructions can result in death, fire, or electrical shock.
 - Plug into a grounded 3 prong outlet.
 - DO NOT remove ground prong.
 - DO NOT use an adapter.
 - DO NOT use an extension cord.
2. This unit **MUST** be grounded. In the event of an electrical short circuit, grounding reduces the risk of electric shock by providing an escape wire for the electric current. This unit is equipped with a cord having a grounding wire with a grounding plug. The plug must be plugged into an outlet that is properly installed and grounded.
3. **WARNING:** Improper use of the grounding plug can result in a risk of electric shock. **If the plug does not fit fully into the outlet, contact a qualified electrician. Do not attempt to modify the plug in any way.**
4. A short power supply cord is provided to reduce the risk resulting from becoming entangled or tripping over a long cord.
5. The manufacturer does not recommend using this machine in countries that do not support 120V AC even if a voltage adapter, transformer, or converter is in use.

SAVE THESE INSTRUCTIONS!

INTRODUCTION

Thank you for purchasing the RETRO MICROWAVE OVEN from Nostalgia™! This 0.9 cubic foot microwave still has all the conveniences of modern microwaves, while still staying true to its clean and sleek classic retro design. It's a fun and stylish addition to any kitchen, and its compact size means there's plenty of space left over on your counter top.

Features include:

- Easy-to-read LED display with digital clock
- Powerful 900-watt oven with 0.9 cu. ft. capacity
- Glass carousel that helps cook food evenly
- 8 pre-programmed settings for a variety of dishes
- Chrome handle
- Convenient cord wrap
- Multi-sequence cooking and 60 minute cooking timer

GROUNDING THE UNIT

This appliance must be grounded. This microwave oven is equipped with a cord having a grounding wire with a grounding plug. It must be plugged into a wall receptacle that is properly installed and grounded in accordance with the National Electrical Code and local codes and ordinances. In the event of an electrical short circuit, grounding reduces risk of electric shock by providing an escape wire for the electric current.



WARNING: Improper use of the grounding plug can result in a risk of electric shock.

ELECTRICAL REQUIREMENTS

The electrical requirements are a 120 volt 60 Hz, AC only, 15 amp. or more protected electrical supply. It is recommended that a separate circuit serving only this appliance be provided. The oven is equipped with a 3-prong grounding plug. It must be plugged into a wall receptacle that is properly installed and grounded. Should you only have a 2-prong outlet, have a qualified electrician install a correct wall receptacle. A 3-prong adapter may be purchased and used temporarily if local codes allow. Follow package directions. A short power-supply cord is provided to reduce risk of becoming entangled in or tripping over a longer cord.

EXTENSION CORD

If it is necessary to use an extension cord, use only a 3-wire extension cord that has a 3-blade grounding plug and a 3-slot receptacle that will accept the plug on the microwave oven. The marked rating of the extension cord should be AC 115-120 volt, 15 amp. or more. Be careful not to drape the cord over the countertop or table where it can be pulled on by children or tripped over.

NOTE: If you have any questions about the grounding or electrical instructions, consult a qualified electrician or service person. Nostalgia Electrics™ cannot accept any liability for damage to the oven or personal injury resulting from failure to observe the correct electrical connection procedures.

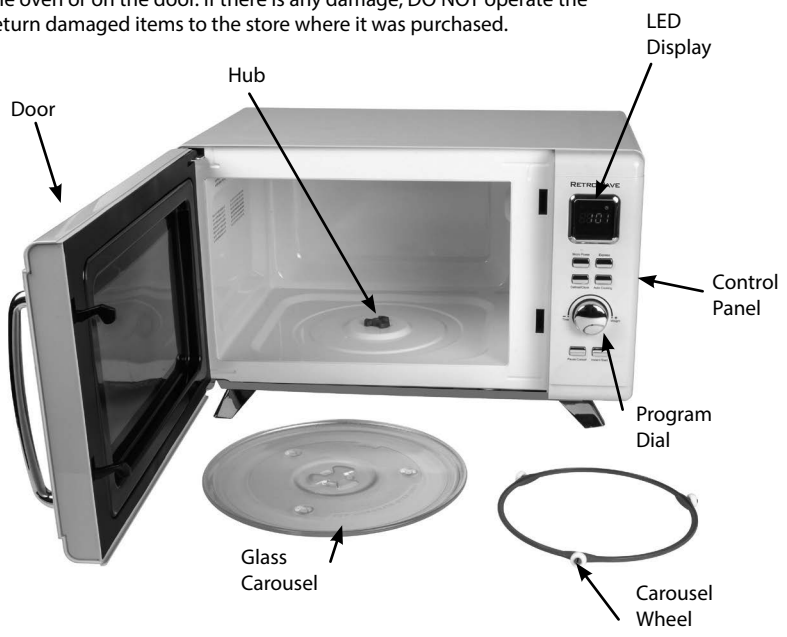
RADIO OR TV INTERFERENCE

Should there be any interference caused by the microwave oven to your radio or TV, check that the microwave oven is on a different electrical circuit, relocate the radio or TV as far away from the oven as feasible or check position and signal of receiving antenna.

PARTS & ASSEMBLY

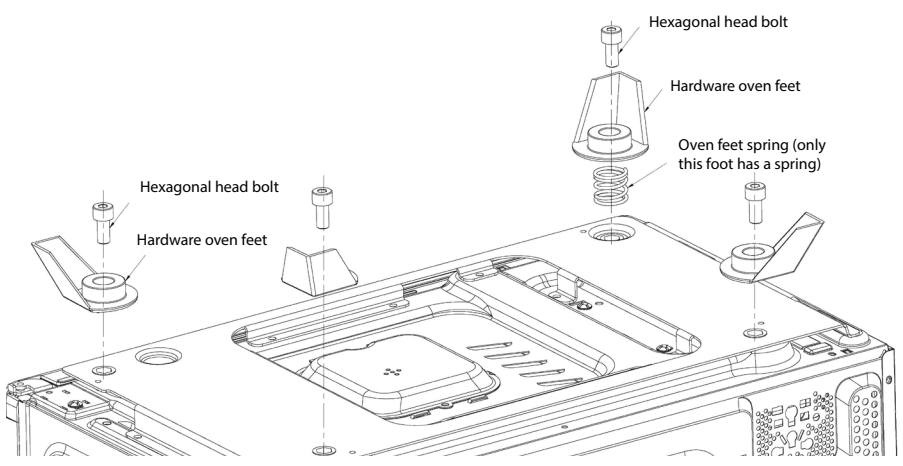
Your RETRO MICROWAVE OVEN is partially assembled. Before using, remove all packing materials from inside the oven. Check the oven for any damage, such as misaligned or bent door, damaged door seals and sealing surfaces, broken or loose door hinges/latches and dents inside the oven or on the door. If there is any damage, DO NOT operate the oven. Return damaged items to the store where it was purchased.

PARTS

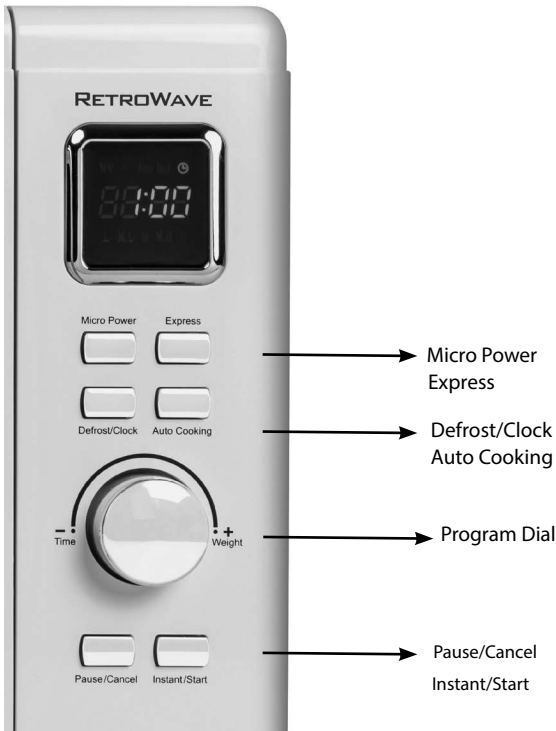


OVEN FEET

This mid-century designed microwave features four splayed legs that need to be assembled. Four bolts and an allen wrench are provided. The screw will go inside the oven feet as seen below.



Control Panel



HOW TO OPERATE

CHOOSING A LOCATION

You will use the oven frequently, so plan its location for ease of use. Allow at least 2 inches on the sides, top and at the rear of the oven for air circulation. Do not place or install the oven in any area where heat and steam are generated; for example, next to or above a conventional gas or electric range or above a conventional wall oven. Heat and steam may damage the electronics or the mechanical parts of the oven.

AFTER PLUGGING IN

As soon as the microwave is plugged into the outlet, the LED Display will flash three times. Then the LED Display will flash ":", which prompts you to enter the time.

SETTING THE CLOCK

- While the LED Display reads ":", press the DEFROST/CLOCK button for three seconds. The LED Display will then read 1:00 and the 1: on the left will flash.
- Turn the PROGRAM DIAL to set the hour.
- Once you have set the hour, press the DEFROST/CLOCK button again and turn the PROGRAM DIAL to set the minutes.
- Once you have set the correct time, press the DEFROST/CLOCK button again or wait 5 seconds. When the numbers no longer flash, the time is set.

CONTROL PANEL

PROGRAM DIAL

The PROGRAM DIAL is a multi-functioning controller. It can be used to set the time on the clock, adjust cooking time or change the weight.

POWER

Press the MICRO POWER button to change the cooking power.

- 100 P: High Power; 100% microwave power. Applicable for quick and thorough cooking. Use for cooking foods such as meats and vegetables.
- 80 P: Medium-High Power; 80% microwave power. Applicable for medium express cooking. Use for cooking foods such as eggs, fish, rice and soup.
- 60 P : Medium Power; 60% microwave power. Applicable for steaming food.
- 40 P: Medium-Low Power; 40% microwave power. Applicable for defrosting food.
- 20 P: Low Power; 20% microwave power. Applicable for keeping food warm.

EXPRESS

Pressing the EXPRESS button once and then pressing the INSTANT/START button will start a 30 second cooking cycle. You may add time in 30-second increments up to 1.5 minutes by pressing the EXPRESS button again.

DEFROST

Press the DEFROST/CLOCK button to select the cycle type d.1. Then use the PROGRAM DIAL to set the weight (3.5 to 70 oz.. Press INSTANT/START again to start cooking.

| Display | Type | Weight Selection Options |
|---------|---------|--------------------------|
| d. 1 | Defrost | 3.5 oz to 70 oz |

NOTE: It is necessary to turn over the food during operation for even cooking. During this process, beep sounds will be heard TWICE to let you know to turn over the food. Press INSTANT/START to continue after doing so.

PAUSE/CANCEL/LOCK

Press the PAUSE/CANCEL button once during the cooking program to pause the cooking process.

- Press the PAUSE/CANCEL button twice to cancel the current cooking program. When resetting the cooking program, you must press this button to cancel previous settings.
- Use the LOCK feature to lock the control panel when you are cleaning or so that children cannot use the oven unsupervised. All the buttons are rendered inoperable in this mode.
- To set the child lock, press and hold the PAUSE/CANCEL button for about 3 seconds. The LED Display will show the word "OFF" and a padlock icon.
- To cancel child lock, press and hold the PAUSE/CANCEL button for about 3 seconds until the LED Display shows the time again.

Automatic Cooking

To use the default cooking options programmed into the microwave, click the AUTO COOKING button to select the appropriate setting based on the food type and the amount of food.

| Display | Food Type | Weight Selection Options |
|---------|-----------|-----------------------------|
| A1 | POPCORN | 3.5 oz |
| A2 | REHEAT | 7, 14, 21, 28 or 35 oz. |
| A3 | BEVERAGE | 1, 2, 3 cup |
| A4 | PIZZA | 1, 2 piece |
| A5 | POTATO | 16 or 24 oz. |
| A6 | VEGETABLE | 3.5, 7, 10.5, 14 or 18 oz. |
| A7 | MEAT | 3.5, 7, 10.5, 14, or 18 oz. |
| A8 | FISH | 3.5, 7, 10.5, 14 or 18 oz. |

COOKING

MULTI-SEQUENCE COOKING

You can program up to four separate cooking sequences for each cooking program. This is useful if you need to cook something at different power and time settings (ex. 10 minutes at 100 P, 10 minutes at 80 P, 5 minutes at 20 P).

The maximum time for each cooking sequence is 60 minutes.

1. First, select the power level by pressing the MICRO POWER button. Then use the PROGRAM DIAL to set the desired cooking time for that sequence. You must select the time or you cannot go on to the next step.
2. Press the MICRO POWER button again to add another sequence and use the PROGRAM DIAL to set time.
3. After you have set the desired number of sequences, press the INSTANT/START button to begin cooking.

DELAYED START

1. To preset your microwave to begin cooking at a later time, you must first set the current time (see above).
2. Once the time has been set, select the cooking program by pressing the MICRO POWER button.
3. Turn the PROGRAM DIAL to set your desired cooking time.
4. Press and hold the DEFROST/CLOCK button for three seconds to return to the current time, then set the desired start time by turning the PROGRAM DIAL to the hour, pressing the DEFROST/CLOCK button to confirm the hour, and setting the minutes by turning the PROGRAM DIAL.
5. Press the DEFROST/CLOCK button to confirm the now activated delayed start time; microwave will beep and the clock icon will flash. You may check your delayed start time by pressing the DEFROST/CLOCK button again at any time.

NOTE: The clock must be set in order for the Delayed Start feature to work.

HELPFUL TIPS

CAROUSEL ROTATION

If the Glass Carousel inside of your microwave oven makes noise during cooking or does not seem to be rotating properly, stop the cooking process immediately by pressing the PAUSE/CANCEL button and make sure that:

- A) The Glass Carousel is properly aligned on the Carousel Wheel and Hub.
- B) There is no excess food or debris lodged underneath the Glass Carousel.

SPLATTERING

Some foods may splatter inside of the microwave when cooked in the microwave oven. It is recommended that you use a paper towel, wax paper or microwave-safe lid to loosely cover open dishes that may splatter. It is not recommended that you use plastic wrap to cover foods while cooking in the microwave oven.

FOODS

- **Eggs:** Cooking eggs with yolk intact can cause eggs to explode. It's best to puncture yolks before cooking. Never cook eggs inside of shell, or reheat whole, hardboiled eggs.
- **Nuts:** Do not cook dry nuts or seeds inside of the shell.
- **Potatoes, apples, squash, hot dogs and sausages:** Puncture the skin to allow steam to escape, or these foods could explode during cooking
- **Popcorn:** Only use microwave popcorn that is especially packaged for microwave oven cooking. Follow the directions on the packaging exactly. Never exceed the maximum cooking time on packaging.
- **Baby Food:** Never heat baby food in its container. Transfer the baby food to a microwave safe container before cooking. Check temperature before serving.
- **General:** NEVER use the microwave oven for deep fat frying or for drying wood, gourds, herbs or wet paper.

MICROWAVE SAFE COOKWARE

The following cookware is safe for microwave oven cooking:

- Glass ceramics
- Heat-resistant glass
- Microwave-safe plastics
- Paper plates
- Microwave-safe pottery, stoneware and porcelain

NEVER use the following in your microwave oven:

- Metal pans and dishes, including those with metallic trim
- Glass that is not heat-resistant
- Plastic containers that are not microwave-safe
- Paper products
- Plastic bags used for storing food or oven baking
- Objects with metal twist ties or staples attached

CLEANING & MAINTENANCE

To prolong the life of your RETRO MICROWAVE OVEN, please follow these simple instructions for maintenance.

- Unplug microwave oven or set to LOCK mode.
- Never place the microwave oven in a dishwasher.
- Remove Glass Carousel and Carousel Wheel.
- Wash Glass Carousel in warm, soapy water using a non-abrasive cloth or sponge. Dry thoroughly.
- Wipe down inside and outside of microwave oven using warm, soapy water and a non-abrasive cloth or sponge. Dry thoroughly.
- Never use harsh or abrasive cleaners on the microwave oven and never use an abrasive sponge, cloth or scouring pad.

RETURNS & WARRANTY

SHOULD YOUR UNIT NOT WORK OR IF DAMAGED WHEN YOU FIRST TAKE IT OUT OF THE BOX, PLEASE RETURN IT TO THE PLACE OF PURCHASE IMMEDIATELY.

RETRO 0.9 CU FT MICROWAVE OVEN / MCM09FTSG

Should you have any questions, please contact us via email or at the customer service number listed below between the hours of 8:00 AM and 5:00 PM, Monday through Friday, Central Standard Time.

Distributed by:

Nostalgia Products LLC
1471 Partnership Dr.
Green Bay, WI 54304-5685
Customer Service
Phone: (920) 347-9122
Web: www.nostalgiaproducts.com

Customer Service Inquiry

To submit a Customer Service inquiry, go to www.nostalgiaproducts.com and fill out the Customer Service Inquiry form and click the Submit button.

A representative will contact you as soon as possible.

Product Warranty Terms

Nostalgia Products LLC (the "Company") hereby warrants that for a period of one (1) year from the date of original purchase, this product will be free of defects in material and workmanship under normal home use, provided that the product is operated and maintained in accordance with the operating instructions. As the sole and exclusive remedy under this warranty, the Company will at its discretion either repair or replace the product found to be defective, or issue a refund on the product during the warranty period. This warranty is only available to the original retail purchaser of the product from the date of initial retail purchase, and is only valid with the original sales receipt, as proof of purchase date is required to obtain warranty benefits. All warranty claims must be brought to the attention of the Company within the warranty period and no later than 30 days of the failure to perform. This warranty does not cover normal wear or damage caused by shipping, mishandling, misuse, accident, alteration, improper replacement parts, or other than ordinary household use. You may be required to return the product (with shipping prepaid by you) for inspection and evaluation. Return shipping costs are not refundable. The Company is not responsible for returns damaged or lost in transit. Unless otherwise specifically permitted by the operating instructions, this warranty applies to indoor household use only. In order to obtain service under this warranty, please contact the Company at the telephone number listed above or by filling out the Customer Service Inquiry Form located at www.nostalgiaproducts.com. Warranty valid only in USA and Canada.

This warranty is in lieu of all other warranties, expressed or implied, including warranties of merchantability and fitness for a particular purpose, which are hereby excluded to the extent permitted by law. In no event shall the Company be liable for any indirect, incidental, consequential, or special damages arising out of or in connection with this product or the use thereof. Some states, provinces or jurisdictions do not permit the exclusion or limitation of incidental or consequential damages, so the foregoing exclusion or limitation may not apply to you.

This warranty does not apply to re-manufactured merchandise.

Please read the operating instructions carefully. Failure to comply with the operating instructions will void this warranty.

For more information, visit us online at www.nostalgiaproducts.com.

Like us on Facebook at www.facebook.com/NostalgiaElectrics.

Follow our boards on Pinterest at www.pinterest.com/nostalgiaelctr.

Tweet along with us on Twitter at www.twitter.com/NostalgiaElctr.

¡Haga de cada día una fiesta!
Visite www.nostalgiaproducts.com para
ver más productos divertidos.

CONTENIDO

| | |
|-------------------------------------------------|----|
| SEGURIDAD | 15 |
| SALVAGUARDIAS IMPORTANTES | 16 |
| SALVAGUARDIAS IMPORTANTES ADICIONALES | 16 |
| INTRODUCCIÓN | 18 |
| CONEXIÓN A TIERRA DE LA UNIDAD | 19 |
| PIEZAS Y ENSAMBLAJE | 20 |
| FUNCIONAMIENTO | 21 |
| PANEL DE CONTROL | 22 |
| COCCIÓN | 24 |
| CONSEJOS ÚTILES | 25 |
| LIMPIEZA Y MANTENIMIENTO | 26 |
| DEVOLUCIONES Y GARANTÍA | 27 |

SEGURIDAD

Su seguridad y la de otras personas es muy importante.

Hemos proporcionado numerosos mensajes de seguridad importantes en este manual y en su electrodoméstico. Siempre lea y obedezca todos los mensajes de seguridad.



Este es el símbolo de alerta de seguridad.

Este símbolo le avisa de los peligros potenciales que pueden provocar serias lesiones a usted y a otros.

Todos los mensajes de seguridad estarán precedidos por el símbolo de alerta.

Todos los mensajes de seguridad le dirán de qué peligro potencial se trata, cómo reducir la posibilidad de lesiones y qué puede ocurrir si no se obedecen las instrucciones.

Especificaciones del electrodoméstico:

120 Voltios, 60 Hertz
Potencia nominal: 900 Watts
0.9 Pies Cúbicos



ESTE PRODUCTO ES PARA USAR SOLAMENTE EN TOMAS DE CORRIENTE DE 120 VCA.

Visite www.nostalgiaproducts.com/user-manuals/ para ver el manual más actualizado.

SALVAGUARDIAS IMPORTANTES


Una persona que no haya leído y comprendido todas las instrucciones de uso y seguridad no está calificada para utilizar este aparato. Todos los usuarios de este dispositivo deben leer y comprender este Manual de instrucciones antes de utilizar o limpiar este aparato.

Cuando utiliza aparatos eléctricos, siempre se deben seguir algunas medidas básicas de seguridad que incluyen las siguientes:




1. **Read all instructions before operating this appliance.**
2. NO TOQUE las superficies calientes. Use agarraderas o mangos.
3. Este aparato NO ES UN JUGUETE.
4. Sin supervisión los niños y las personas con discapacidad intelectual nunca deben usar este aparato.
5. Una supervisión estricta se requiere cuando un aparato se use por niños o cerca de ellos.
6. Para protegerse contra descargas eléctricas no sumerja el cable, el enchufe ni ninguna parte de este aparato en agua ni en otros líquidos.
7. Desconéctelo del tomacorriente cuando no esté en uso, antes de retirar piezas y antes de la limpieza. Déjelo enfriar antes de colocar o retirar cualquiera de las piezas, y antes de la limpieza.
8. NO utilice ningún aparato con el cable o el enchufe dañados, ni si el aparato tiene desperfectos o SI se ha dañado de cualquier manera. Devolver el aparato al taller de reparación más cercano para su reparación o ajuste.
9. El fabricante no recomienda el uso de otros aditamentos o accesorios diferentes a los proporcionados por el fabricante. eL Uso de accesorios puede provocar lesiones.
10. NO utilice el aparato para usos no previstos.
11. NO utilice el aparato al aire libre. SOLO PARA USO DOMÉSTICO.
12. NO lo coloque sobre o cerca de una hornilla eléctrica o gas caliente, o en un horno caliente.
13. NO permita que el cable cuelgue sobre el borde de la mesa o del mostrador, ni que toque superficies calientes.
14. NUNCA deje la unidad desatendida mientras esté en uso o cuando esté enchufada a una toma de corriente.
15. Debe ser extremadamente cuidadoso al mover cualquier aparato con comida caliente.
16. Siempre conecte primero el enchufe al aparato, luego enchufe el cable a la toma de corriente. Para desconectar, mueva todos los controles a "off" y luego retire el enchufe del tomacorriente.

SALVAGUARDIAS IMPORTANTES ADICIONALES

Precauciones de seguridad operativa

1. Evite el contacto con piezas en movimiento.
2. Revise el aparato para ver si tiene objetos extraños antes del uso.
3. NUNCA coloque ningún objeto de metal, vasijas o utensilios en el horno microondas cuando cocine.
4. Algunos productos, como huevos enteros y envases sellados o frascos de vidrio cerrados, pueden explotar y no deben calentarse en este horno. Alimentos como patatas, salchichas o castañas deben pelarse o perforarse antes de cocinar.
5.  NUNCA coloque nada vivo dentro del horno microondas dado el riesgo de lesiones

graves o la muerte.

6. Utilice este aparato sólo para los fines descritos en este manual. No utilice productos químicos o vapores corrosivos en este aparato. Este tipo de horno está diseñado específicamente para calentar, cocinar o secar alimentos. No está diseñado para uso industrial o de laboratorio.
7. No cubra ni bloquee ninguna abertura del aparato.
8.  PRECAUCIONES PARA EVITAR UNA POSIBLE EXPOSICIÓN A ENERGÍA DE MICROONDAS EXCESIVA:
 - a. No intente utilizar este horno con la puerta abierta; si lo utiliza con la puerta abierta, podrá resultar en una exposición dañina a la energía de las microondas. Es importante no destruir o alterar los cierres de seguridad.
 - b. No coloque ningún objeto entre la parte frontal del horno y la puerta ni permita que la suciedad o los residuos del limpiador se acumulen en las superficies de sellado.
 - c. No haga funcionar el horno si está dañado. Es particularmente importante que la puerta del horno cierre correctamente y que no haya daños en: (1) puerta (torcida), (2) bisagras y seguros (rotos o sueltos), (3) sellos de las puertas y superficies de sellado.
 - d. El horno no debe ajustarse o repararse por nadie, excepto por personal de servicio debidamente calificado.
25.  Para reducir el riesgo de incendio en la cavidad del horno:
 - a. No cocine demasiado la comida. Preste mucha atención al electrodoméstico cuando se coloquen papel, plástico u otros materiales combustibles dentro del horno para facilitar la cocción.
 - b. Retire las amarraderas de alambre de las bolsas de papel o plástico antes de colocarlas en el horno.
 - c. Si los materiales dentro del horno se prenden, mantenga la puerta del horno cerrada, apague el horno y desconecte el cable de alimentación o corte la corriente en el panel de fusibles o disyuntores.
 - d. No use la cavidad para guardar cosas. No deje productos de papel, utensilios de cocina o alimentos en la cavidad cuando no esté en uso.
 - e. Evite la acumulación de grasa, que es inflamable, al limpiar el microondas con un paño húmedo después de usar. NO lo coloque dentro de un lavavajillas para limpiar
26.  Líquidos, tales como agua, café o té, pueden sobrecalentarse más allá del punto de ebullición sin que parezca que están hirviendo. El burbujeo o la ebullición visibles al retirar el recipiente del microondas no siempre están presentes. ESTO PUEDE PRODUCIR LÍQUIDOS MUY CALIENTES QUE HIERVEN REPENTINAMENTE CUANDO UNA CUCHARA U OTRO UTENSILIO ESTÁN EN EL LÍQUIDO.

Para reducir el riesgo de lesión a personas:

- a. No sobrecaliente el líquido.
- b. Revuelva el líquido antes y durante el calentamiento.
- c. No utilice recipientes de lados rectos con cuellos estrechos. Utilice un recipiente de boca ancha.
- d. Después de calentar, deje reposar el recipiente en el horno microondas por lo menos durante 20 segundos antes de retirar el recipiente.
- e. Tenga mucho cuidado al insertar una cuchara u otro utensilio en el recipiente.
- f. Si la luz del horno no funciona, consulte a un técnico de servicio autorizado o un electricista.
- g. Este aparato debe conectarse debidamente a tierra. Vea Instrucciones de conexión a tierra para obtener información sobre cómo conectar a tierra el aparato.

Instrucciones para el cable eléctrico y el enchufe

1. El aparato tiene un enchufe polarizado (una patita más ancha). Se diseñó para reducir el riesgo de descarga eléctrica, dado que entra en un tomacorriente polarizado solo en una posición. **Si el enchufe no entra bien en la toma de corriente, déle la vuelta. Si aún así no entra, comuníquese con un electricista calificado. No modifique el enchufe de ninguna manera.**
2. Se provee un cable de alimentación corto para reducir el riesgo resultantede enredarse o tropezar con un cable largo.
3. Si se utiliza un cable alargador o un cable de alimentación más largo:
 - Unos cables de extensión se pueden utilizar si se tiene cuidado con su uso.
 - Las características nominales del grupo de cables o del cable de extensión deben ser al menos iguales a las del aparato.
 - Cuando se utiliza un cable largo o cable de extensión, asegúrese de que el cable no sobresalga de la encimera ni una mesa ya que se puede halar o tropezarse con el cable involuntariamente.
4. El fabricante no recomienda el uso de esta máquina en países que no admiten 120V CA incluso si se está usando un adaptador, transformador o convertidor de voltaje.

¡GUARDE ESTAS INSTRUCCIONES!

INTRODUCCIÓN

¡Gracias por comprar el HORNO MICROONDAS AL ESTILO DE RETRO de Nostalgia™! Este horno microondas tiene la apariencia de un fabuloso restaurante de 1950, pero ofrece el atractivo de una rápida cocción de un aparato moderno. Es una adición divertida y elegante a cualquier cocina, y su tamaño compacto significa que hay un montón de espacio de sobra en el mostrador.

Las características incluyen:

- Pantalla LED fácil de leer con reloj digital
- Poderoso horno de 900 watts con capacidad de 0.9 pies cúbicos
- Carrusel de vidrio que ayuda a cocinar los alimentos de manera uniforme
- 8 ajustes preprogramados para una variedad de platos
- Manija cromada
- Enrollador de cable conveniente
- Cocción de secuencia múltiple y temporizador de cocción de 60 minutos

CONEXIÓN A TIERRA DE LA UNIDAD

Este aparato debe conectarse a tierra. Este horno microondas está provisto de un cable que tiene un cable a tierra con un enchufe a tierra. Se debe enchufar en un tomacorriente de pared instalado apropiadamente y conectado a tierra de acuerdo con el Código Eléctrico Nacional y los códigos y ordenanzas locales. En caso de un corto circuito, la conexión a tierra reduce el riesgo de descarga eléctrica al proporcionar un cable de escape para la corriente eléctrica.



ADVERTENCIA: El uso incorrecto de la toma de tierra puede resultar en riesgo de sufrir una descarga eléctrica.

REQUISITOS ELÉCTRICOS

Los requisitos eléctricos son de 120 voltios, 60 Hz, CA solamente, de 15 amperios o un suministro eléctrico más protegido. Se recomienda que se proporcione un circuito separado sólo para este aparato. El horno está equipado con un enchufe de 3 espigas. Se debe enchufar en un tomacorriente de pared instalado apropiadamente y conectado a tierra. En caso de sólo tener una toma de 2 clavijas, haga que un electricista calificado instale un tomacorriente correcto. Un adaptador de 3 clavijas puede usarse temporalmente si los códigos locales lo permiten. Siga las instrucciones del paquete. Se proporciona un cable de alimentación corto para reducir el riesgo de enredarse o tropezarse con un cable más largo.

CABLE DE EXTENSIÓN

Si debe utilizar un cable de extensión, sólo use un cable de extensión de 3 cables que tenga un enchufe a tierra de 3 clavijas y un receptáculo de 3 ranuras que acepte el enchufe del horno microondas. La clasificación marcada del cable de extensión debe ser de 115-120 V CA, 15 amperios o más. Tenga cuidado de no enredar el cable del mostrador o mesa donde pueda halarse por niños o tropezarse con él.

NOTA: Si tiene alguna pregunta sobre la conexión a tierra o las instrucciones eléctricas, consulte a un electricista o un servicio técnico calificado. Nostalgia Electrics™ no puede aceptar ninguna responsabilidad por daños al horno o lesiones personales derivados de la inobservancia de los procedimientos correctos de conexión eléctrica.

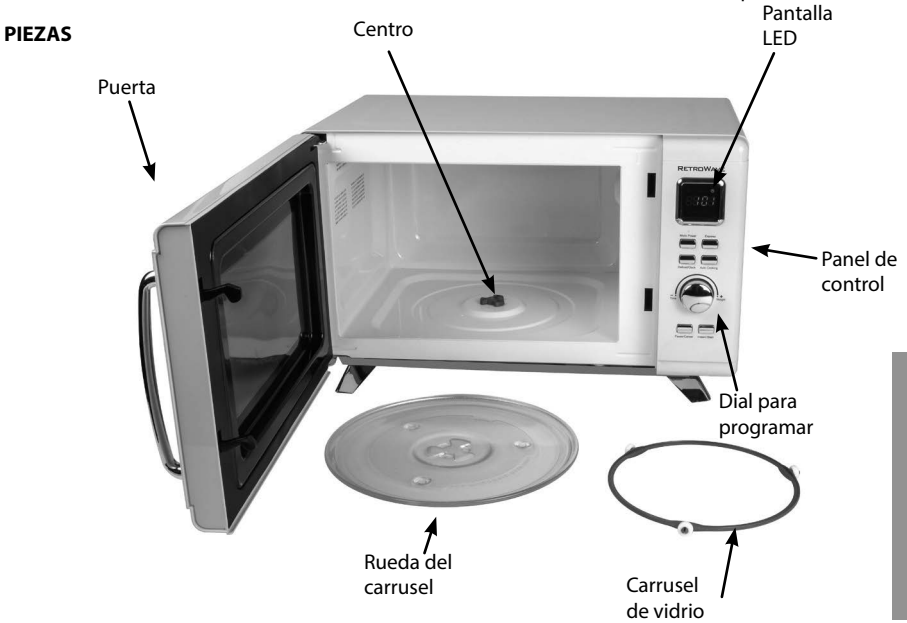
INTERFERENCIA DE RADIO O TV

Si hubiera alguna interferencia causada por el horno microondas por su radio o televisor, compruebe que el horno microondas esté en un circuito diferente, reubique la radio o el televisor lo más lejos posible del horno o compruebe la posición y la señal de la antena receptora.

PIEZAS Y ENSAMBLAJE

El HORNO MICROONDAS AL ESTILO DE RETRO está totalmente ensamblado.

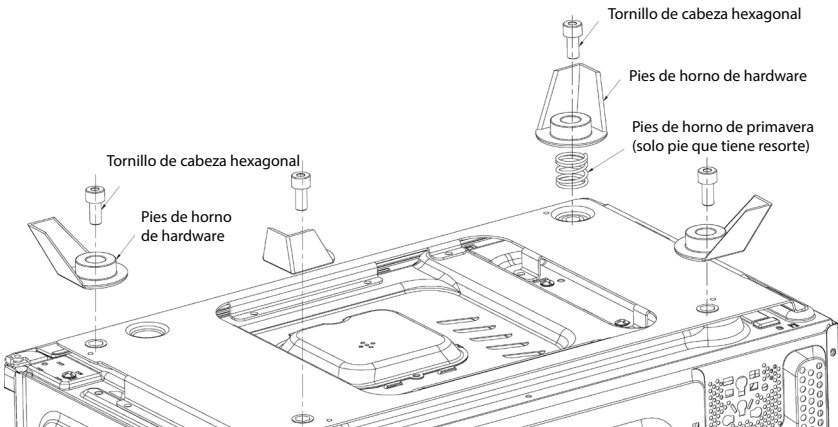
Antes de usarlo, retire todos los materiales de embalaje del interior del horno. Compruebe si el horno tiene algún daño, tal como una puerta desalineada o torcida, sellos de las puertas y superficies de sellado dañados, bisagras o cierres de la puerta rotos o sueltos y abolladuras en el interior del horno o en la puerta. Si hay algún daño, NO haga funcionar el horno. Devuelva los elementos dañados a la tienda donde lo compró.



ESPAÑOL

PIES DEL HORNO

Este microondas diseñado a mediados de siglo presenta cuatro patas extendidas que deben ensamblarse. Se proporcionan cuatro pernos y una llave Allen. El tornillo irá dentro de las patas del horno como se ve a continuación.



Panel de control



FUNCIONAMIENTO

ELECCIÓN DE UNA UBICACIÓN

Usted utilizará el horno con frecuencia, así que planifique su ubicación para facilitar su uso. Deje por lo menos 2 pulgadas de los lados, la parte superior y en la parte trasera del horno para circulación del aire. No coloque ni instale el horno en un área donde se genere calor y vapor; por ejemplo, al lado o por encima de un suministro de gas o eléctrico convencional o sobre un horno de pared convencional. El calor y el vapor podrían dañar las piezas electrónicas o mecánicas del horno.

DESPUÉS DE ENCHUFAR

Tan pronto como el horno microondas esté enchufado a la toma, la pantalla LED destellará tres veces. Luego, la pantalla LED mostrará ":" que le pedirá introducir la hora.

AJUSTE DEL RELOJ

- Mientras que la pantalla LED muestre ":" presione el botón PRESET/CLOCK/DEFROST durante tres segundos. La pantalla LED mostrará 1:00 y el 1: a la izquierda destellará.
- Gire el DIAL PARA PROGRAMAR para ajustar la hora.
- Una vez que haya ajustado la hora, pulse el botón PRESET/CLOCK/DEFROST y gire el DIAL PARA PROGRAMAR para ajustar los minutos.
- Una vez que haya ajustado la hora correcta, pulse el botón PRESET/CLOCK/DEFROST o espere 5 segundos. Cuando los números ya no destellen más, la hora se ha ajustado.

PANEL DE CONTROL

DIAL PARA PROGRAMAR

El DIAL PARA PROGRAMAR es un controlador de funciones múltiples. Se puede utilizar para ajustar la hora en el reloj, ajustar el tiempo de cocción o cambiar el peso.

POTENCIA

Presione el botón de MICRO POTENCIA para cambiar la potencia de cocción.

- 100 P: Potencia máxima; 100% de potencia del microondas. Se aplica para una cocción rápida y completa. Utilícela para cocinar alimentos como carnes y verduras.
- 80 P: Potencia media alta; 80% de potencia del microondas. Se aplica para una cocción expresa media. Utilícela para cocinar alimentos como huevos, pescado, arroz y sopa.
- 60 P: Potencia media; 60% de potencia del microondas. Se aplica para cocinar al vapor los alimentos.
- 40 P: Potencia media baja; 40% de potencia del microondas. Se aplica para descongelar los alimentos.
- 20 P: Potencia mínima; 20% de potencia del microondas. Se aplica para mantener caliente a los alimentos.

EXPRESO

Presionar el botón EXPRESS una vez y luego presionar el botón PROGRAM DIAL iniciará un ciclo de cocción de 30 segundos. Puede agregar tiempo en incrementos de 30 segundos hasta 1,5 minutos al presionar de nuevo el botón EXPRESS.

DESCONGELAR

Presione el botón DESCONGELAR/RELOJ para seleccionar el tipo de ciclo d.1. Luego, utilice el DIAL PARA PROGRAMAR para ajustar el peso (de 100 a 2000gr.). Presione INSTANTANEO/INICIAR de nuevo para empezar a cocinar.

| Despliegue | Tipo | Opciones de selección de peso |
|------------|--------------------------|-------------------------------|
| d. 1 | Descongelar carne de res | 3.5 onzas a 70 onzas |

NOTA: Es necesario voltear los alimentos durante la operación para una cocción uniforme. Durante este proceso, se escucharán pitidos DOS VECES para hacerle saber que debe voltear la comida. Presione INSTANTANEO/INICIAR para continuar después de hacerlo.

PAUSA/CANCELAR/BLOQUEO

Pulse el botón PAUSE/CANCEL una vez durante el programa de cocción para pausar el proceso de cocción.

- Pulse el botón PAUSE/CANCEL dos veces para cancelar el programa de cocción actual.
- Utilice la función de BLOQUEO para bloquear el panel de control cuando esté limpiando o para que los niños no puedan utilizar el horno sin supervisión. Todos los botones quedarán inoperables en este modo.
- Para aplicar el bloqueo para niños, mantenga pulsado el botón PAUSE/CANCEL por unos 3 segundos. La pantalla LED mostrará la palabra "OFF" y un icono de candado.
- Para cancelar el bloqueo para niños, mantenga pulsado el botón PAUSE/CANCEL durante unos 3 segundos hasta que la pantalla LED muestre el tiempo de nuevo.

Cocción automática

Para utilizar las opciones de cocción predefinidas programadas en el microondas, gire el DIAL PARA PROGRAMAR para elegir la configuración adecuada en función del tipo de alimento y la cantidad de comida.

| Despliegue | Tipo de alimento | Opciones de selección de peso |
|-------------------|-------------------------|--------------------------------------|
| A1 | ROSETAS | 3.5 onzas |
| A2 | RECALENTAR | 7 onzas a 28 onzas |
| A3 | BEBIDA | 1, 2, 3 Taza |
| A4 | PIZZA | 1, 2 piezas |
| A5 | PATATA | 16 onzas o 24 onzas |
| A6 | VEGETAL | 3.5 onzas o 18 onzas |
| A7 | CARNE | 3.5 onzas o 18 onzas |
| A8 | PEZ | 3.5 onzas o 18 onzas |

COCCIÓN

COCCIÓN DE SECUENCIA MÚLTIPLE

Usted puede programar hasta cuatro secuencias de cocción independientes para cada programa de cocción. Esto es útil si necesita cocinar algo en diferentes ajustes de tiempo y de potencia (por ejemplo, 10 minutos a 100 P, 10 minutos a 80 P, 5 minutos a 20 P).

El tiempo máximo para cada secuencia de cocción es 60 minutos.

1. Primero, seleccione el nivel de potencia al pulsar el botón MICRO POWER. Luego utilice PROGRAM DIAL para ajustar el tiempo de cocción deseado para esa secuencia. Debe seleccionar el tiempo o no podrá ir al paso siguiente.
2. Pulse el botón MICRO POWER de nuevo para agregar otra secuencia y utilice PROGRAM DIAL para ajustar la hora.
3. Después de haber ajustado el número deseado de secuencias, pulse el INSTANT/START para empezar a cocinar.

INICIO RETRASADO

1. Para preajustar el microondas para comenzar a cocinar después, primero debe ajustar la hora actual (ver más arriba).
2. Una vez que el tiempo se haya ajustado, seleccione el programa de cocción al pulsar el botón MICRO POWER.
3. Gire el DIAL PARA PROGRAMAR para ajustar el tiempo de cocción deseado.
4. Mantenga pulsado el botón PRESET/CLOCK/DEFROST para volver a la hora actual, luego ajuste el tiempo de inicio que desee al girar el DIAL PARA PROGRAMAR a la hora, pulsar el botón PRESET/CLOCK/DEFROST para confirmar la hora, y ajustar los minutos al girar el DIAL PARA PROGRAMAR.
5. Pulse el botón PRESET/CLOCK/DEFROST para confirmar el ahora activado tiempo de inicio retrasado; el microondas emitirá un pitido y el icono del reloj destellará. Puede comprobar su tiempo de inicio retrasado al pulsar el botón PRESET/CLOCK/DEFROST de nuevo en cualquier momento.

NOTA: El reloj debe ajustarse para que trabaje la función de inicio retrasado.

CONSEJOS ÚTILES

ROTACIÓN DEL CARRUSEL

Si el carrusel de vidrio en el interior del horno microondas hace ruido durante la cocción o no parece estar girando adecuadamente, detenga el proceso de cocción inmediatamente al presionar el botón PAUSE/CANCEL y asegúrese de que:

- A) El carrusel de vidrio esté alineado apropiadamente en la rueda del carrusel y el centro.
- B) No haya exceso de comida o basura alojada debajo del carrusel de vidrio.

SALPICADO

Algunos alimentos pueden salpicar el interior del microondas cuando se cocina en el horno. Se recomienda que utilice papel toalla, papel encerado o una tapa para microondas para cubrir holgadamente los platos abiertos que puedan salpicar. No se recomienda que utilice una envoltura de plástico para cubrir los alimentos mientras los cocine en el horno microondas.

ALIMENTOS

- **Huevos:** Cocinar huevos con la yema intacta puede causar que los huevos exploten. Lo mejor es pinchar la yema antes de cocinar. Nunca cocine huevos dentro de la cáscara, ni recaliente huevos enteros y duros.
- **Nueces:** No cocine frutas secas o semillas dentro de la cáscara.
- **Patatas, manzanas, chayotes, perros calientes y salchichas:** Perfore la cáscara para permitir que escape el vapor, o estos alimentos podrían explotar durante su cocción.
- **Palomitas de maíz:** Sólo utilice palomitas de maíz para microondas que estén especialmente empacadas para cocinar en horno microondas. Siga exactamente las instrucciones en el envase. Nunca exceda el tiempo máximo de cocción en el envase.
- **Comida para bebé:** Nunca caliente comida para bebé en su envase. Transfiera la comida para bebé a un envase apto para microondas antes de cocinar. Compruebe la temperatura antes de servir.
- **General:** NUNCA use el horno microondas para freír con mucha grasa o secar madera, calabazas, hierbas o papel mojado.

UTENSILIOS SEGUROS PARA EL MICROONDAS

Los utensilios siguientes son seguros para cocinar en un horno microondas:

- Cerámica y vidrio
- Vidrio resistente al calor
- Plásticos seguros para microondas
- Platos de papel
- Cerámica, gres y porcelana aptos para microondas

NUNCA use lo siguiente en el horno de microondas:

- Sartenes y platos de metal, incluyendo aquellos con adornos metálicos
- Vidrio que no sea resistente al calor
- Envases de plástico que no sean seguros para microondas
- Productos de papel
- Bolsas de plástico utilizadas para guardar comida u horneado
- Objetos con amarraderas de alambre de metal o grapas

LIMPIEZA Y MANTENIMIENTO

Para prolongar la vida del HORNO MICROONDAS AL ESTILO DE RETRO, siga estas simples instrucciones para su mantenimiento.

- Desenchufe el horno microondas o ajústelo al modo de BLOQUEO.
- No coloque nunca el horno microondas en un lavavajillas.
- Retire el carrusel de vidrio y la rueda del carrusel.
- Lave el carrusel de vidrio con agua tibia jabonosa con un paño o esponja no abrasivos. Seque a fondo.
- Limpie el interior y el exterior del horno microondas con agua tibia jabonosa y un paño no abrasivo o una esponja. Seque a fondo.
- Nunca use limpiadores fuertes o abrasivos en el horno microondas y nunca use una esponja, paño o estropajo abrasivos.

DEVOLUCIONES Y GARANTÍA

SI LA UNIDAD NO FUNCIONA O ESTÁ DAÑADA AL SACARLA POR PRIMERA VEZ DE LA CAJA, DEVUÉLVALA AL LUGAR DE COMPRA INMEDIATAMENTE.

HORNO MICROONDAS AL ESTILO DE RETRO / MCMO9FTSG

Si tiene preguntas, contacte con nosotros por correo electrónico o por el número telefónico de servicio al cliente que aparece a continuación en el horario de 8:00 AM a 5:00 PM, de lunes a viernes, Hora Estándar del Este.

Distribuida por:

Nostalgia Products LLC
1471 Partnership Dr.
Green Bay, WI 54304-5685
Servicio al cliente
Teléfono: (920) 347-9122
Web: www.nostalgiaproducts.com

Solicitud de servicio al cliente

Para enviar una solicitud al Servicio al Cliente, vaya a www.nostalgiaproducts.com, llene el formulario de Solicitud de Servicio al Cliente y haga clic en el botón Enviar.

Un representante le contactará tan pronto como sea posible.

Términos de garantía del producto

Por este medio, Nostalgia Products LLC (la "Compañía") garantiza que por un período de un (1) año a partir de la fecha de compra original, este producto estará sin defectos en cuanto a materiales y mano de obra en uso normal en casa, siempre que el producto se maneje y mantenga de acuerdo con las instrucciones de manejo. Como único y exclusivo remedio en virtud de esta garantía, la Compañía, a su discreción, podrá optar por reparar o sustituir el producto que se encuentre defectuoso, o emitir un reembolso por el producto durante el período de garantía. Esta garantía sólo está disponible para el comprador original minorista del producto a partir de la fecha inicial de compra al por menor, y sólo es válida con el recibo de compra original, y como prueba de la fecha de compra, es necesario obtener los beneficios de la garantía. Todos los reclamos de garantía deben hacerse a la atención de la Compañía dentro del período de garantía y no más tarde que 30 días desde la imposibilidad de realizarlo. Esta garantía no cubre el desgaste normal o daños ocasionados por el embarque, malos manejos, mal uso, accidentes, alteración, piezas de cambio incorrectas, o algo distinto al uso doméstico normal. Es posible que deba devolver el producto (con los gastos de envío pagados por usted) para inspección y evaluación. Los costos de envío no son reembolsables. La empresa no se hace responsable por devoluciones dañadas o perdidas en tránsito. A menos que se indique lo contrario específicamente permitido por las instrucciones de manejo, esta garantía sólo se aplica al uso en interiores de las viviendas. Para realizar una reparación bajo esta garantía, comuníquese con la Compañía mediante el número de teléfono indicado anteriormente o al llenar el formulario de consulta para el servicio de Atención al Cliente en www.nostalgiaproduct.com. El período de garantía sólo es válido en EE.UU. y Canadá.

Esta garantía está en lugar de cualquier otra garantía, expresa o implícita, incluso las garantías de comerciabilidad y conveniencia para un propósito en particular, que quedan excluidas en la medida permitida por la ley. En ningún caso la compañía será responsable de cualquier daño indirecto, incidental, consecuente, especial o daños que surjan o estén relacionados con este producto o la utilización del mismo. Algunos estados, provincias o corregimientos no permiten la exclusión o la limitación de daños incidentales o consecuentes, por lo que la exclusión o la limitación anterior quizás no se aplique a usted.

Esta garantía no se aplica a mercancía reelaborada.

Lea las instrucciones de manejo cuidadosamente. El incumplimiento de las instrucciones de manejo anulará esta garantía.

Para obtener más información, visítenos en línea en www.nostalgiaproducts.com.

Me Gusta en Facebook en www.facebook.com/NostalgiaElectrics.

Siga nuestros consejos sobre Pinterest en www.pinterest.com/nostalgiaelctrx.

Tweet con nosotros en Twitter en www.twitter.com/NostalgiaElctrx.

Faites de chaque jour une fête !
Visiter le site Web www.nostalgiaproducts.com pour d'autres produits amusants.

TABLE DES MATIÈRES

| | |
|-----------------------------------------------|----|
| SÉCURITÉ | 28 |
| PRÉCAUTIONS IMPORTANTES | 29 |
| PRÉCAUTIONS IMPORTANTES ADDITIONNEL | 29 |
| INTRODUCTION | 31 |
| MISE À LA TERRE DE L'APPAREIL | 32 |
| PIÈCES ET ASSEMBLAGE | 33 |
| COMMENT FAIRE FONCTIONNER | 34 |
| PANNEAU DE COMMANDE | 35 |
| CUISSON | 37 |
| CONSEILS UTILES | 38 |
| NETTOYAGE ET ENTRETIEN | 39 |
| RETOURS ET GARANTIE | 40 |

SÉCURITÉ

Votre sécurité et celle des autres sont très importantes.

De nombreux messages importants de sécurité se trouvent dans le présent manuel et sur votre appareil. Toujours lire et respecter toutes les consignes de sécurité.



Ceci représente le symbole d'avertissement pour votre sécurité.

Ce symbole vous alerte des risques de danger potentiels pouvant causer de graves blessures à vous et d'autres personnes.

Ce symbole d'alerte à la sécurité suivra tous les avis relatifs à la sécurité.

Tous les messages de sécurité indiqueront le danger potentiel et la façon de réduire le risque de blessure et ce qui peut arriver si les consignes ne sont pas suivies.

Fiche technique de l'appareil :

120 V, 60 Hz
Puissance nominale : 900 W
0.9 dm³ (0,9 pi³)



CE PRODUIT DOIT ÊTRE UTILISÉ UNIQUEMENT DANS UNE PRISE DE COURANT DE 120 V CA.

Reportez-vous à www.nostalgiaproducts.com/user-manuals/ pour la version la plus récente.

PRÉCAUTIONS IMPORTANTES

Une personne qui n'a pas lu et compris toutes les instructions de fonctionnement et de sécurité n'est pas qualifiée pour faire fonctionner cet appareil. Tous les utilisateurs de cet appareil doivent lire et comprendre ce mode d'emploi avant d'utiliser ou de nettoyer cet appareil.

Lorsque l'on utilise un appareil électrique, il faut toujours respecter les précautions de base, y compris celles-ci :





1. **Lisez toutes les instructions avant d'utiliser cet appareil.**
2. NE PAS TOUCHER AUX surfaces chaudes. Utiliser les poignées ou les boutons.
3. Cet appareil n'est PAS UN JOUET.
4. Les jeunes enfants et les personnes déficientes cognitivement non supervisés ne devraient jamais faire fonctionner cet appareil.
5. Une surveillance étroite est nécessaire lorsque tout appareil est utilisé par ou à proximité des enfants.
6. Pour protéger contre les chocs électriques ne pas submerger le cordon, la fiche ni aucune partie de cet appareil dans l'eau ou d'autres liquides.
7. Toujours débrancher la prise lorsque l'appareil n'est pas en fonctionnement, avant de retirer les pièces et faire le nettoyage. Laisser refroidir avant de remettre ou de retirer les pièces et avant de faire le nettoyage.
8. NE PAS utiliser l'appareil ni avec un cordon ou une fiche électrique endommagés, ni suivant un dysfonctionnement ou une détérioration quelconque. Retournez l'appareil à l'atelier de réparation le plus proche pour examen, réparation ou réglage.
9. Le fabricant ne recommande pas l'utilisation d'accessoires autres que ceux fournis par le fabricant. L'utilisation d'accessoires peut causer des blessures.
10. NE PAS utiliser cet appareil pour toute autre utilisation pour laquelle il n'a pas été conçu.
11. NE PAS utiliser l'appareil à l'extérieur. POUR USAGE DOMESTIQUE SEULEMENT.
12. NE PAS placer sur ou près d'un brûleur à gaz ou électrique ou dans un four chauffé.
13. NE JAMAÏS laisser le cordon dépasser sur le côté d'une table ou d'un comptoir ou toucher des surfaces chaudes.
14. NE JAMAÏS laisser l'appareil sans surveillance pendant son utilisation ou lorsqu'il est branché sur une prise.
15. Une extrême prudence doit être utilisée pour déplacer un appareil contenant des liquides chauds.
16. Toujours brancher la prise de l'appareil tout d'abord, puis branchez dans la prise murale. Pour débrancher l'appareil, revenir sur le bouton « arrêt » (off), puis débrancher la fiche de la prise murale.

PRÉCAUTIONS IMPORTANTES ADDITIONNEL

Mesures de sécurité d'exploitation

1. Éviter d'être en contact avec les pièces mobiles.
2. Vérifier qu'il n'y a aucun corps étranger dans l'appareil avant l'utilisation.
3. Ne JAMAÏS mettre des objets métalliques, des bols ou des ustensiles

dans le four à micro-ondes pendant la cuisson.

4. Certains produits, comme les œufs entiers et les contenants scellés/ bocaux en verre fermés, peuvent exploser et ne devraient pas être chauffés dans ce four. Les aliments comme les pommes de terre, les saucisses ou les châtaignes doivent être pelés ou percés avant leurs cuissons.
5.  NE JAMAIS mettre quelque chose de vivant dans le four à micro-ondes, car cela risquerait de causer de grave blessure ou la mort.
6. Utiliser cet appareil que pour l'usage pour lequel il est prévu comme décrit dans ce manuel. Ne pas utiliser de produits chimiques corrosifs ou de la vapeur dans cet appareil. Ce type de four a été spécialement conçu pour chauffer, cuire ou sécher des aliments. Il n'est pas conçu pour une utilisation industrielle ou dans un laboratoire.
7. Ne pas couvrir ou bloquer les ouvertures de l'appareil.
8.  PRÉCAUTIONS À PRENDRE POUR ÉVITER LE RISQUE D'UNE EXPOSITION EXCESSIVE AUX MICRO-ONDES :
 - a. Ne pas essayer de faire fonctionner ce four avec la porte ouverte; un fonctionnement avec la porte ouverte pourrait entraîner une exposition dangereuse aux micro-ondes. Il est important de ne pas modifier ou d'altérer le dispositif de verrouillage de sécurité.
 - b. Ne placer aucun objet entre la face avant du four et la porte et ne pas laisser la saleté ou des résidus propres s'accumuler sur les surfaces d'étanchéité.
 - c. Ne pas faire fonctionner le four s'il est endommagé. Il est particulièrement important que la porte du four puisse bien se fermer et qu'il n'y ait aucun dommage au niveau de la : (1) porte (déformé), (2) charnières et verrous (brisés ou desserrés), (3) joints de la porte et les surfaces d'étanchéité.
 - d. Le four ne doit être réglé ou réparé que par un personnel de service compétent.
25.  Pour réduire le risque d'incendie dans la cavité du four :
 - a. Pas de surcuisson. Surveiller attentivement votre four lorsque vous placez à l'intérieur du four du papier, plastique ou autres matériaux combustibles pour faciliter la cuisson.
 - b. Retirer les attaches torsadées des sacs en papier ou en plastique avant de les placer dans le four.
 - c. Si les matériaux à l'intérieur du four prennent feu, laisser la porte du four fermée, arrêter le four et débrancher le cordon d'alimentation ou couper le courant du panneau à disjoncteurs.
 - d. Ne pas utiliser le four à des fins de stockage. Ne pas laissez de produits en papier, d'ustensile de cuisine ou de la nourriture dans la cavité du four lorsqu'il n'est pas utilisé.
 - e. Éviter l'accumulation de graisse, qui est inflammable, pendant le nettoyage du four à micro-ondes après son utilisation à l'aide d'un chiffon humide. NE PAS le mettre dans le lave-vaisselle pour le nettoyage.
26.  Liquides comme l'eau, le café ou le thé sont capables de chauffer au-delà de leur point d'ébullition sans sembler bouillir. Lorsque le contenant est enlevé du four à micro-ondes, les bulles ou le bouillonnement ne sont pas toujours visibles. CELA POURRAIT SE TRADUIRE PAR UN LIQUIDE TRÈS CHAUD DÉBORDANT SOUDAINEMENT LORSQU'UNE CUILLÈRE OU TOUT AUTRE USTENSILE EST INSÉRÉ DANS LE LIQUIDE.

Pour réduire le risque de blessures pour les personnes :

 - a. Ne pas surchauffer le liquide.
 - b. Remuer le liquide avant et au milieu de son temps de réchauffement.
 - c. Ne pas utiliser de contenants à parois droites et goulots

- étroits. Utiliser un contenant à large ouverture.
- d. Après avoir réchauffé, laisser reposer le contenant dans le four à micro-ondes pour au moins 20 secondes avant de le retirer.
 - e. Soyez très prudent lorsque vous insérez une cuillère ou tout autre ustensile dans le contenant.
 - f. Si l'ampoule du four à micro-ondes ne fonctionne pas, consulter un technicien de maintenance accrédité ou un électricien.
 - g. Cet appareil doit être mis à la terre convenablement. Pour plus de renseignements, voir les instructions sur la façon de mise à la terre de cet appareil.

Instructions pour le cordon électrique et la prise

1. **RISQUE DE DÉCHARGE ÉLECTRIQUE** : Ne pas suivre ces instructions peut entraîner la mort, un incendie ou une électrocution.
 - Branchez dans une prise à 3 fiches.
 - NE retirez PAS la fiche de la mise à la terre.
 - N'utilisez PAS d'adaptateur.
 - N'utilisez PAS une rallonge.
2. Cet appareil DOIT être mis à la terre. Dans le cas d'un court-circuit électrique, la mise à la terre réduit le risque de choc électrique en offrant un fil d'échappement pour le courant électrique. Cet appareil est équipé d'un cordon muni d'un fil de mise à la terre avec une fiche de mise à la terre. La fiche doit être branchée sur une prise correctement installée et mise à la terre.
3. **AVERTISSEMENT** : Une mauvaise utilisation de la prise de mise à la terre peut entraîner un risque d'électrocution. **Si la fiche n'entre pas complètement dans la prise, contactez un électricien qualifié. Ne pas tenter de modifier la fiche de quelque façon que ce soit.**
4. Un court cordon d'alimentation est fourni pour réduire les risques d'enchevêtrement ou risques de trébucher sur un cordon plus long.
5. Le fabricant ne recommande pas l'utilisation de cette machine dans les pays qui ne supportent pas les tensions de 120V AC, même si un adaptateur de tension, un transformateur ou un convertisseur est utilisé.

CONSERVER CES CONSIGNES !

INTRODUCTION

Merci d'avoir acheté le FOUR MICRO-ONDES STYLE DES RÉTRO de Nostalgia^{MC}!

Ce four à micro-ondes a l'apparence et la sensation d'un fabuleux dîner des années 1950, mais offre l'attrait d'un appareil moderne pour la cuisson rapide. C'est un ajout plaisant et élégant dans toute cuisine et grâce à sa taille compacte, il reste beaucoup d'espace libre sur votre comptoir.

Caractéristiques incluses :

- Un afficheur à DEL avec une horloge numérique facile à lire
- Un four d'une puissance de 900 W et d'une capacité de 20 dm³ (0,9 pi³)
- Carrousel en verre qui aide à cuire les aliments uniformément
- 8 réglages pré-programmés pour une variété de plats
- Enroulement pratique du cordon
- Minuterie de cuisson de 60 minutes et multi-séquences

MISE À LA TERRE DE L'APPAREIL

Cet appareil doit être mis à la terre. Ce four à micro-ondes est muni d'un cordon électrique comportant un conducteur de terre et une prise de mise à la terre. Il doit être branché dans une prise de courant murale correctement installée et mise à la terre selon le Code National de l'électricité et les codes et règlements locaux. En cas d'un court-circuit électrique, la mise à la terre réduit le risque de décharge électrique en permettant au courant électrique de s'échapper par ce fil.



AVERTISSEMENT : Un mauvais branchement de la prise de mise à la terre peut résulter en une décharge électrique.

EXIGENCES ÉLECTRIQUES

Les exigences sont une alimentation en CA de 120 V, 60 HZ et 15 A ou une source d'alimentation mieux protégé. Il est conseillé d'utiliser une ligne d'alimentation dédiée pour cet appareil. Le four est muni d'une prise à 3 broches dont une, pour la mise à la terre. Il doit être branché dans une prise de courant murale correctement installée et mise à la terre. Si vous avez seulement une prise à 2 broches, demander à un électricien qualifié d'installer la bonne sorte de prise murale. Un adaptateur à 3 broches peut être acheté et utilisé temporairement si les codes locaux le permettent. Veuillez suivre les indications de l'emballage. Un cordon électrique court est fourni pour réduire le risque de s'emmêler ou de trébucher sur un long cordon.

RALLONGE

Si nécessaire, utiliser une rallonge à 3 fils munie d'une fiche à 3 broches avec une mise à la terre et une prise femelle à 3 fentes pouvant acceptée la fiche du four à micro-ondes. La puissance nominale de la rallonge doit être d'au moins de 115 - 120 VCA et 15 A ou plus. Soyez prudent pour que le cordon ne s'enroule pas sur le comptoir ou la table où les enfants pourraient le tirer ou trébucher involontairement.

REMARQUE : Si vous avez des questions concernant la mise à la terre ou l'installation électrique, veuillez consulter un électricien qualifié ou un agent de service. Nostalgia Electrics™ décline toute responsabilité pour les dommages causés au four ou les blessures personnelles résultant du non-respect des procédures de raccordement électrique adéquates.

BROUILLAGE RADIO OU TÉLÉVISION

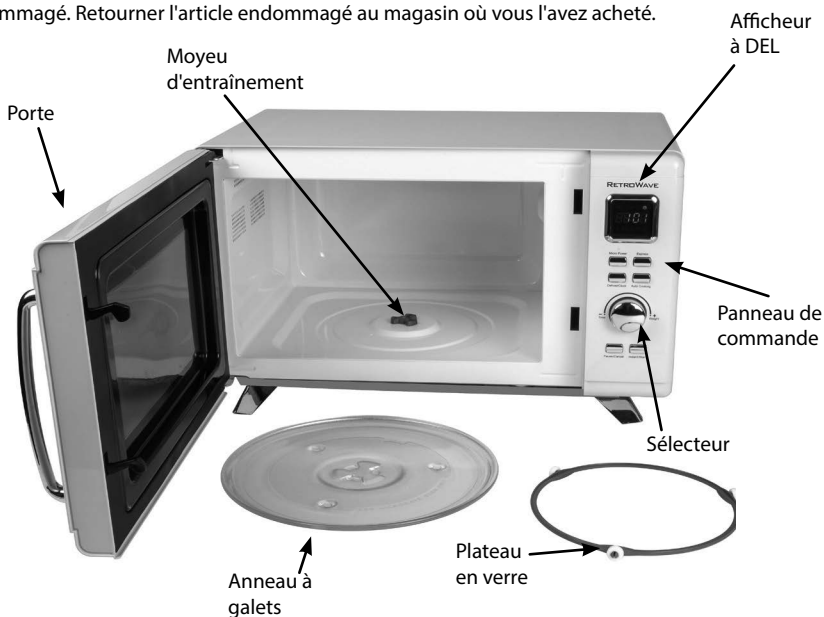
Dans le cas où votre four à micro-ondes brouillerait la radio ou la télévision, s'assurer que le four à micro-ondes est branché sur un autre circuit électrique, si possible éloigner la radio ou la télévision du four et vérifier la position et le signal de l'antenne de réception.

PIÈCES ET ASSEMBLAGE

Votre FOUR À MICRO-ONDES STYLE DES RÉTRO est entièrement monté.

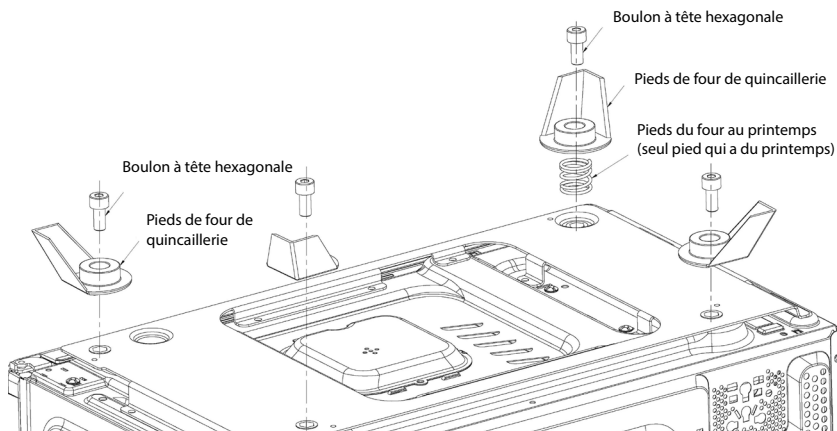
Avant son utilisation, enlever tout le matériel d'emballage de l'intérieur du four. Vérifier le four pour tout dommage, tel que porte mal alignée ou déformée, joints endommagés et surfaces d'étanchéité, porte cassée ou charnières/verrous lâches et les bosses à l'intérieur du four ou sur la porte. NE PAS faire fonctionner le four s'il est endommagé. Retourner l'article endommagé au magasin où vous l'avez acheté.

PIÈCES



PIEDS DU FOUR

Ce micro-ondes conçu au milieu du siècle comporte quatre pieds évasés qui doivent être assemblés. Quatre boulons et une clé Allen sont fournis. La vis ira à l'intérieur des pieds du four comme indiqué ci-dessous.



Panneau de commande



COMMENT FAIRE FONCTIONNER

CHOIX DE L'EMPLACEMENT

Vous utiliserez le four fréquemment, planifiez donc son emplacement pour faciliter son emploi. Prévoir un dégagement de 5 cm (2 po) autour du four (les côtés, le dessus et l'arrière). Ne pas placer ni installer le four dans un endroit où de la chaleur et de la vapeur sont produites; par exemple, à côté ou au-dessus d'une cuisinière conventionnelle à gaz ou électrique ou au-dessus d'un four mural conventionnel. La chaleur et la vapeur peuvent endommager les composants électroniques ou les pièces mécaniques du four.

APRÈS LE BRANCHEMENT

Dès que le four micro-ondes est branché dans une prise, l'afficheur à DEL clignotera trois fois. Ensuite ":" clignotera sur l'afficheur à DEL ce qui vous indiquera de saisir l'heure.

RÉGLAGE DE L'HORLOGE

- Pendant que l'afficheur à DEL indique ":" appuyer sur la touche de PRÉRÉGLAGE/HORLOGE/DÉCONGÉLATION pendant trois secondes. L'afficheur à DEL indiquera alors 1:00 et le 1: à gauche clignotera.
- Tourner le SÉLECTEUR pour régler l'heure.
- Une fois l'heure réglée, appuyer de nouveau sur la touche de PRÉRÉGLAGE/HORLOGE/DÉCONGÉLATION et tourner le SÉLECTEUR pour régler les minutes.
- Une fois la bonne heure réglée, appuyer sur la touche de PRÉRÉGLAGE/HORLOGE/DÉCONGÉLATION pendant 5 secondes. Lorsque les chiffres ne clignotent plus, l'heure a été réglée.

PANNEAU DE COMMANDE

SÉLECTEUR

Le CADRAN DES PROGRAMMES est un contrôle multi-fonctions. Il peut être utilisé pour régler le temps sur l'horloge, ajuster le temps de cuisson et changer le poids.

PUISSANCE

Appuyer sur la touche PUISSANCE pour changer la puissance de cuisson.

- 100 P: Puissance élevée; puissance du micro-ondes à 100 %. Applicable pour une cuisson rapide et prolongée. À utiliser pour la cuisson d'aliments comme la viande et les légumes.
- 80 P: Puissance moyenne à élevée; puissance du micro-ondes à 80 %. Applicable pour une cuisson moyenne rapide. À utiliser pour la cuisson d'aliments comme les œufs, le poisson, le riz et la soupe.
- 60 P : Puissance moyenne; puissance du micro-ondes à 60 %. Applicable pour une cuisson à la vapeur.
- 40 P: Puissance moyenne à basse; puissance du micro-ondes à 40 %. Applicable pour décongeler de la nourriture.
- 20 P: Puissance basse; puissance du micro-ondes à 20 %. Applicable pour réchauffer de la nourriture.

RAPIDE

En appuyant sur la touche RAPIDE une fois et ensuite sur le SÉLECTEUR démarrera un cycle de cuisson de 30 secondes. Vous pourrez ajouter du temps de cuisson par incrément de 30 secondes jusqu'à 1,5 minute en appuyant de nouveau sur la touche RAPIDE.

DÉCONGÉLATION

Appuyez sur DÉGIVRER/HORLOGE pour sélectionner le type de cycle d.1. Puis utilisez le CADRAN DES PROGRAMMES pour entrer le poids (3,5 à 70 on. Appuyez sur INSTANT/COMMENCER à nouveau pour commencer la cuisson.

| Afficheur | Type | Options de sélection du poids |
|-----------|-------------------------|-------------------------------|
| d. 1 | Décongélation de viande | 0,1 à 2 kg (3,5 oz à 70 oz) |

REMARQUE : Il est nécessaire de tourner la nourriture à l'intérieur du micro-ondes durant la cuisson pour qu'elle soit uniforme. Durant la cuisson, un bip sonore retentira à DEUX reprises afin de vous indiquer qu'il est temps de tourner la nourriture. Appuyez sur INSTANT/COMMENCER pour continuer la cuisson.

PAUSE/ANNULATION/VERROUILLAGE

Appuyer une fois sur la touche PAUSE/ANNULATION pendant la cuisson pour mettre le programme de cuisson en pause.

- Appuyer deux fois sur la touche PAUSE/ANNULATION pour annuler le programme de cuisson.
- Utiliser la fonction VERROUILLAGE pour verrouiller le panneau de commande lors du nettoyage du four ou pour que les enfants ne puissent pas l'utiliser sans supervision. Toutes les touches deviennent inopérantes dans ce mode.
- Pour activer le mode verrouillage enfant, appuyer sur la touche PAUSE/ANNULATION pendant 3 secondes. L'AFFICHEUR À DEL indiquera le mot "ARRÊT" et l'icône d'un cadenas.
- Pour annuler le mode verrouillage enfant, appuyer sur la touche PAUSE/ANNULATION pendant 3 secondes jusqu'à ce l'heure s'affiche de nouveau.

Cuisson automatique

Pour utiliser les options de cuisson programmées par défaut dans le micro-ondes, tourner le SÉLECTEUR pour sélectionner le réglage approprié en fonction du type d'aliment et la quantité de nourriture.

| Afficheur | Type d'aliment | Options de sélection du poids |
|-----------|----------------|-------------------------------|
| A1 | MAÏS SOUFFLÉ | 3 oz ou 3,5 oz |
| A2 | RÉCHAUFFER | 7, 1, 21 ou 28 oz. |
| A3 | BOISSON | 1, 2, 3 tasse |
| A4 | PIZZA | 1, 2, pièce |
| A5 | PATATE | 16 ou 24 oz. |
| A6 | LÉGUMES | 3,5, 7, 10,5, 14 ou 18 oz. |
| A7 | VIANDE | 3,5, 7, 10,5, 14 ou 18 oz. |
| A8 | POISSON | 3,5, 7, 10,5, 14 ou 18 oz. |

CUISSON

CUISSON EN PLUSIEURS ÉTAPES

Vous pouvez programmer jusqu'à quatre étapes de cuisson distinctes pour chaque programme de cuisson. Ceci est utile si vous devez cuisiner quelque chose à différentes puissances et temps (ex. 10 minutes à 100 P, 10 minutes à 80 P, 5 minutes à 20 P).

La durée maximale pour chaque étape de cuisson est de 60 minutes.

1. Pour commencer, sélectionner la puissance en appuyant sur la touche PUISSANCE. Ensuite, utiliser le SÉLECTEUR pour régler le temps de cuisson pour cette étape. Vous devez régler le temps ou vous ne pourrez pas passer à l'étape suivante.
2. Appuyer sur la touche PUISSANCE pour ajouter une autre étape et utiliser le SÉLECTEUR pour régler le temps.
3. Après avoir réglé le nombre d'étapes souhaité, appuyer sur la touche IMMÉDIAT/MARCHE pour commencer la cuisson.

DÉMARRAGE DIFFÉRÉ

1. Pour pré-régler votre micro-ondes pour commencer une cuisson à un moment plus tard, vous devez d'abord régler l'heure actuelle (voir ci-dessus).
2. Après avoir réglé l'heure, sélectionner la puissance en appuyant sur la touche PUISSANCE.
3. Tourner le SÉLECTEUR pour régler le temps de cuisson désiré.
4. Appuyer et garder appuyer la touche PRÉRÉGLAGE/HORLOGE/DÉCONGÉLATION pour retourner à l'heure courante, ensuite régler l'heure de début souhaitée en tournant le SÉLECTEUR, en appuyant sur la touche PRÉRÉGLAGE/HORLOGE/DÉCONGÉLATION pour confirmer l'heure et régler les minutes en tournant le SÉLECTEUR.
5. Appuyer sur la touche PRÉRÉGLAGE/HORLOGE/DÉCONGÉLATION pour confirmer l'activation de l'heure du démarrage différé; le micro-ondes émettra un bip et l'icône de l'horloge se mettra à clignoter. Vous pouvez vérifier l'heure de démarrage différé en appuyant de nouveau sur la touche de PRÉRÉGLAGE/HORLOGE/DÉCONGÉLATION en tout temps.

REMARQUE : L'horloge doit être réglée afin que la fonction de démarrage différé puisse fonctionner.

CONSEILS UTILES

ROTATION DU PLATEAU

Si le plateau en verre à l'intérieur de votre four à micro-ondes fait du bruit pendant la cuisson ou ne semble pas tourner correctement, arrêter la cuisson immédiatement en appuyant sur le bouton PAUSE/ANNULATION et s'assurer que :

- A) Le plateau en verre est bien aligné sur l'anneau à galets et le moyeu d'entraînement.
- B) Il n'y a pas de morceaux de nourriture ou débris logés sous le plateau en verre.

ÉCLABOUSSURE

Certains aliments peuvent éclabousser l'intérieur du four à micro-ondes lors de la cuisson. Il est conseillé d'utiliser de l'essuie-tout, du papier ciré ou un couvercle allant au micro-ondes pour amplement couvrir les plats ouverts qui pourraient éclabousser. Il est déconseillé d'utiliser de la pellicule d'emballage pour couvrir les aliments pendant la cuisson au four à micro-ondes.

NOURRITURES

- **Œufs** : Cuire des œufs avec le jaune intact peut causer l'explosion des œufs. Il est préférable de percer les jaunes avant la cuisson. Ne jamais cuire des œufs avec la coque, ou réchauffer des œufs durs entiers.
- **Noix** : Ne pas cuire des noix sèches ou des graines à l'intérieur de leur coquille.
- **Pommes de terre, pommes, courge, hot dogs et saucisses** : Piquer la peau pour permettre à la vapeur de s'échapper, sinon ces aliments pourraient exploser pendant la cuisson.
- **Maïs soufflé** : Utilisez uniquement le maïs soufflé pour micro-ondes, qui est spécialement emballé pour une cuisson au four à micro-ondes. Veuillez suivre méticuleusement les indications sur l'emballage. Ne jamais dépasser le niveau maximal de cuisson indiqué sur l'emballage.
- **Nourriture pour bébé** : Ne jamais réchauffer de la nourriture pour bébé dans son contenant d'origine. Transvaser la nourriture pour bébé dans un récipient pour micro-ondes avant de la cuire. Vérifier la température avant de servir.
- **Généralité** : NE JAMAIS utiliser le four à micro-ondes pour de la friture ou pour le séchage du bois, des courges, des herbes ou du papier mouillé.

VA AU FOUR À MICRO-ONDES

Les récipients suivants sont sans danger pour la cuisson au four à micro-ondes :

- Vitrocéramiques
- Verre réfractaire
- Plastique qui va au four à micro-ondes
- Assiettes en papier
- Poterie, grès et porcelaine pour micro-ondes

Ne JAMAIS mettre ce qui suit dans votre four à micro-ondes :

- Casseroles et plats métalliques, y compris ceux avec un rebord métallique
- Verre qui n'est pas du verre réfractaire
- Récipients de plastique qui ne vont pas au micro-ondes
- Produits en papier
- Les sacs en plastique utilisés pour stocker de la nourriture ou la cuisson au four
- Les objets avec des attaches en métal ou des agrafes

NETTOYAGE ET ENTRETIEN

Pour prolonger la durée de vie du FOUR À MICRO-ONDES STYLE DES RÉTRO, suivre ces consignes simples pour l'entretien.

- Débrancher le four à micro-ondes ou le mettre en mode VERROUILLAGE.
- NE JAMAIS mettre le four à micro-ondes au lave-vaisselle.
- Enlever le plateau en verre et l'anneau à galets.
- Laver le plateau en verre à l'eau chaude savonneuse à l'aide d'un chiffon ou d'une éponge non abrasive. Bien sécher.
- Essuyer l'intérieur et l'extérieur du four micro-ondes à l'eau chaude savonneuse à l'aide d'un chiffon ou d'une éponge non abrasive. Bien sécher.
- Ne jamais utiliser de nettoyeurs corrosifs ou abrasifs dans le four à micro-ondes et ne jamais utiliser une éponge abrasive, un chiffon ou un tampon à récurer.

RETOURS ET GARANTIE

SI VOTRE APPAREIL NE FONCTIONNE PAS OU S'IL EST ENDOMMAGÉ QUAND VOUS LE RETIREZ DE LA BOÎTE, VEUILLEZ LE RETOURNER IMMÉDIATEMENT À L'ENDROIT OÙ IL A ÉTÉ ACHETÉ.

FOUR À MICRO-ONDES STYLE DES RÉTRO / MCM09FTSG

Pour toute question, communiquer par courriel ou au numéro de téléphone du service à la clientèle, entre 08 h 00 et 17 h 00, du lundi au vendredi, heure normale du Centre.

Distribué par :

Nostalgia Products LLC
1471 Partnership Dr.
Green Bay, WI 54304-5685
Service à la clientèle
Téléphone : (920) 347-9122
Site Web : www.nostalgiaproducts.com

Demande pour le service à la clientèle

Pour soumettre une demande au service à la clientèle, rendez vous au www.nostalgiaproducts.com puis remplissez le formulaire de demande au service à la clientèle puis cliquez sur le bouton Soumettre.

Un représentant vous contactera dès que possible.

Conditions de garantie du produit

Le groupe Nostalgia Products LLC (référé tel « l'Entreprise ») garantit que pour une période d'un (1) an en date d'achat, ce produit est sans défaut de matériel et de fabrication selon une utilisation normale à domicile, seulement si le fonctionnement et l'entretien du produit sont conformes aux directives fournies. À titre de réparation exclusive et entière sous cette garantie, l'Entreprise pourra à sa discrétion, réparer ou remplacer le produit défectueux, voire émettre un remboursement du produit durant la période couverte sous garantie. Cette garantie n'est disponible seulement qu'à l'acheteur d'origine du produit, en date d'achat au détail dudit produit et sera valide uniquement avec le reçu de caisse d'origine, à titre de preuve d'achat, lequel est requis pour obtenir les bienfaits reliés à cette garantie. Toute réclamation doit être rapportée à l'attention de l'Entreprise dans la fenêtre de la période de la garantie, sans dépasser 30 jours à défaut de performance. Cette garantie ne couvre pas l'usure normale ou dommage cause par l'expédition, la mauvaise manipulation, la mauvaise utilisation, les accidents, les modifications, les mauvaises pièces de remplacement, voire toute autre utilisation anormale du produit à domicile. Il est possible que vous ayez à retourner le produit (avec les frais de retour prépayés par vous) pour une inspection et une évaluation. Les frais des coûts de retour ne sont pas remboursables. L'Entreprise n'est aucunement responsable pour les retours endommagés ou perdus en transit. Autrement que spécifiquement permis selon les directives de fonctionnement, cette garantie s'applique à une utilisation à domicile à d'intérieur seulement. Afin d'obtenir un service couvert sous cette garantie, veuillez contacter l'Entreprise au numéro de téléphone inclut ci-haut ou en remplissant le formulaire de demande au service à la clientèle, sur le site www.nostalgiaproducts.com. La garantie est valide seulement aux États-Unis et au Canada.

Cette garantie prévaut toute autre garantie, expresse ou implicite incluant les garanties de qualité marchande ou ayant une aptitude pour une intention en particulier, lesquelles sont exclues selon la loi. Sous aucun prétexte l'Entreprise ne pourra être tenue responsable pour tout dommage indirect, accidentel, conséquentiel ou spécial provenant de ou en relativité avec ce produit ou son utilisation. Certains états, provinces ou juridictions n'allouent pas l'exclusion ou la limitation de tels dommages accidentels ou conséquentiels, donc l'exclusion ou limitation suscitée peut ne pas s'appliquer à vous.

Cette garantie ne s'applique pas à la marchandise de renaissance.

Veillez lire les directives de fonctionnement attentivement. Ne pas se conformer aux directives de fonctionnement annulera cette garantie.

Pour plus d'informations, visitez notre site Web à www.nostalgiaproducts.com.

Aimez-nous sur Facebook à l'adresse [www.facebook.com / NostalgiaElectrics](http://www.facebook.com/NostalgiaElectrics).

Suivez nos conseils sur Pinterest à [www.pinterest.com / nostalgialctrx](http://www.pinterest.com/nostalgiaelctrx).

Tweet avec nous sur Twitter à l'adresse [www.twitter.com / NostalgiaElctrx](http://www.twitter.com/NostalgiaElctrx).