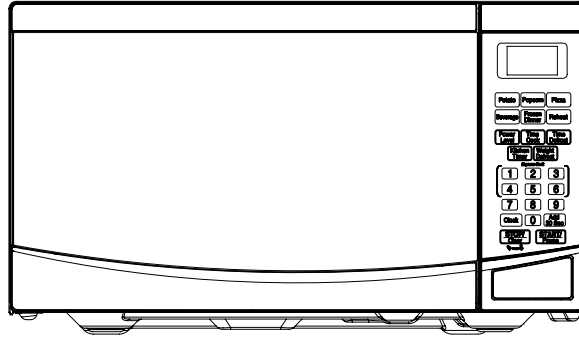


MICROWAVE OVEN

INSTRUCTION MANUAL



23PX99
23PX98

IMPORTANT SAFETY INSTRUCTIONS

READ CAREFULLY AND KEEP FOR FUTURE REFERENCE

IMPORTANT SAFEGUARDS

The following basic precautions should always be followed when using electrical appliance:

- 1.** Read all instructions before using.
- 2.** Make sure the voltage in your living area corresponding to the one shown on the rating label of the appliance. And the wall socket is properly grounded.
- 3.** To reduce the risk of fire in the oven cavity:
 - a.** Do not overcook the food.
 - b.** Remove wire twist -ties from paper or plastic bags before placing bags in the oven.
 - c.** Do not heat oil or fat for deep frying as the temperature of oil cannot be controlled.
 - d.** After use wipe the waveguide cover with a damp cloth, followed by dry cloth to remove any food splashes and grease. Built -up grease may overheat and begin to cause smoke or catch fire.
 - e.** If materials inside the oven should smoke or ignite, keep oven door closed, turn oven off and disconnect the power supply.
 - f.** When heating food in plastic or paper containers, keep an eye on the oven due to the possibility of ignition.
- 4.** To reduce the risk of explosion and sudden boiling:
 - a.** **WARNING:** Liquids and other foods must not be heated in sealed container since they are liable to explode; Baby bottles fitted with a screw cap or teat are considered to be sealed containers.
 - b.** Use the wide -mouthed container to cook liquid, and the

cooked liquid should not be removed out immediately. Several moments should be waited before removing. In order to avoid possible hazards caused by delayed eruptive boiling of liquids.

c. Potatoes, sausage and chestnut should be peeled or pierced before cooking. Eggs in their shell, whole hard-boiled eggs should not be heated in microwave ovens since they may explode, even after microwave heating has ended.

d. The contents of feeding bottles and baby food jars are to be stirred or shaken and the temperature is to be checked before consumption, in order to avoid burns.

5. If the supply cord is damaged, it must be replaced by the manufacturer or its service agent or a qualified technician in order to avoid a shock hazard.

6. After cooking, the container is very hot. Using gloves to take out the food and avoid steam burns by directing steam away from the face and hands.

7. Slowly lift the furthest edge of dishes cover and microwave plastic wrap and carefully open popcorn and oven cooking bags away from the face.

8. To prevent the turntable from breaking:

a. Let the turntable cool down before cleaning.

b. Do not place hot foods or utensils on the cold turntable.

c. Do not place frozen foods or utensils on the hot turntable.

9. Make sure the utensils do not touch the interior walls during cooking.

10. Only use utensils that are suitable for use in microwave ovens.

11. Do not store food or any other things inside the oven.

12. Do not operate the oven without any liquid or food inside

the oven. This would do damage the oven.

13. When the appliance is operated in the combination mode, children should only use the oven under adult supervision due to the temperatures generated.

14. Any accessories not recommended by the manufacturer may cause injuries to persons.

15. Do not use outdoors.

16. Save these instructions.

17. WARNING: If the door or door seals are damaged or the oven is malfunctioned, the oven must not be operated until it has been repaired by a competent person;

18. WARNING: It is hazardous for anyone other than a competent person to carry out any service or repair operation that involves the removal of a cover which gives protection against exposure to microwave energy;

19. If smoke is emitted, switch off or unplug the appliance and keep the door closed in order to stifle any flames;

20. Microwave heating of beverages can result in delayed eruptive boiling; therefore care must be taken when handling the container;

21. Do not use harsh abrasive cleaners or sharp metal scrapers to clean the oven door glass since they can scratch the surface, which may result in shattering of the glass.

22. The lamp of microwave oven is not intended for other purposes.

23. The appliances are not intended to be operated by means of an external timer or separate remote -control system.

24. This appliance is intended to be used in household and similar applications, such as:

- Staff kitchen areas in shops, offices and other working environments;
- Farm houses;
- By clients in hotels, motels and other residential environments;
- Bed and breakfast type environments.

25. The microwave oven is intended for heating food and beverages. Drying of food or clothing and heating of warming pads, slippers, sponges, damp cloth and similar may lead to risk of injury, ignition or fire.

26. This appliance can be used by children aged from 8 years and above and persons with reduced physical, sensory or mental capabilities or lack of experience and knowledge if they have been given supervision or instruction concerning use of the appliance in a safe way and understand the hazards involved. Children shall not play with the appliance. Cleaning and user maintenance shall not be made by children unless they are older than 8 and supervised. Keep the appliance and its cord out of reach of children less than 8 years.

27. This appliance is not intended for use by persons (including children) with reduced physical, sensory or mental capabilities, or lack of experience and knowledge, unless they have been given supervision or instruction concerning use of the appliance by a person responsible for their safety.

28. Children should be supervised to ensure that they do not play with the appliance.

29. A steam cleaner is not to be used.

30. The door or the outer surface may get hot when the appliance is operating.

31. WARNING: Accessible parts may become hot during use.

Young children should be kept away.

32. During use the appliance becomes hot. Care should be taken to avoid touching heating elements inside the oven.

33. The surfaces are liable to get hot during use.



: **CAUTION:HOT SURFACE**

Household use only

INSTALLATION

1. Take out all the packing. If there is a safe film over the oven, tear it off before use. Check carefully for damage. If any, immediately notify dealer or send to the manufacturer's service center.

2. Microwave ovens must be placed under dry and non-corrosiveness environments, kept away from heat and humidity, such as gas burner or water tank.

3. To ensure sufficient ventilation, the distance of the back of microwave to the wall should be at least 10 cm, the side to the wall should be at least 5 cm, the free distance above the top surface at least 20 cm. the distance of the microwave to the ground should be at least 85 cm.

4. The position of the oven shall be such that it is far from the TV, Radio or antenna as picture disturbance. The distance should be more than 5m.

5. The appliance must be positioned so that the plug is accessible, and must ensure a good grounding in case leakage, ground loop can be formed to avoid electric shock.

6. The microwave oven must be operated with the door closed.

7. The microwave oven must not be placed in a cabinet. The

microwave oven is intended to be used freestanding.

8. As there is manufacturing residue or oil remained on the oven cavity or heat element, it usually would smell the odor, even a slight smoke, It is normal case and would not occur after several times use, keep the door or window open to ensure good ventilation. So it is strongly recommended to place a cup of water in the turntable, setting at high power and operate for several times.

CLEANING

MICROWAVE OVEN CARE

CAUTION

The oven should be cleaned regularly and any food deposits removed.

WARNING

1. Remove the power cord from the wall outlet before cleaning. Don't immerse the appliance in water or other fluids when cleaning.
2. Failure to maintain the oven in a clean condition could lead to deterioration of the surface that could adversely affect the life of the appliance and possibly result in a hazardous situation
3. Never use hard detergent, gasoline, abrasive powder or metal brush to clean any part of the appliance
4. Do not remove the waveguide cover
5. When the microwave oven has been used for a long time, there may be some strange odors exist in oven, Following 3 methods can get rid of them:
 - a. Place several lemon slices in a cup, then heat with high

Micro Power for 2-3 min.

b. Place a cup of red tea in oven, then heat with high micro power.

c. Put some orange peel into oven, and then heat them with high Micro Power for 1 minute.

6. WARNING: Only allow children to use the oven without supervision when adequate instructions have been given so that the child is able to use the oven in a safe way and understands the hazards of improper use;

TIPS FOR CLEANING

Details for cleaning door seals, cavity and adjacent parts:

Exterior:

Wipe the enclosure with a dampened soft cloth

Door:

Using a dampened soft cloth, wipe clean the door and window

Wipe the door seals and adjacent parts to remove any spill or spatter

Wipe the control panel with a slightly dampened soft cloth

Interior walls:

Wipe clean the cavity with a dampened soft cloth

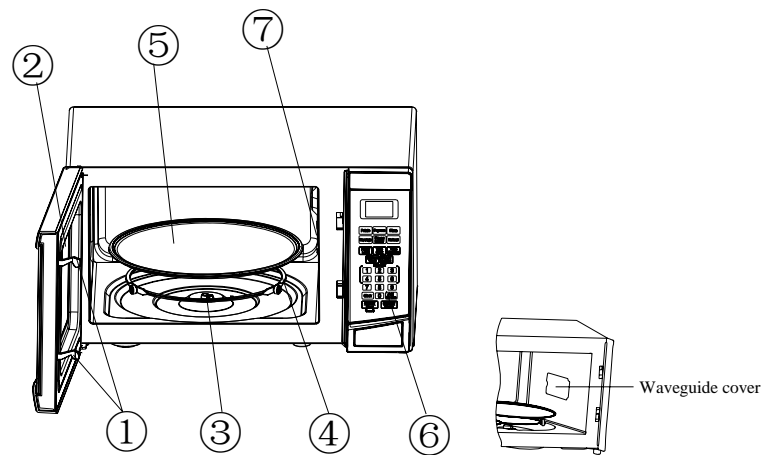
Wipe clean the waveguide cover to remove any food splashed

Turntable/ Rotation ring/ Rotation axis:

Wash with mild soap water

Rinse with clean water and allow drying thoroughly

PRODUCT INSTRUCTION



1) **Door lock**

Microwave oven door must be properly closed in order for it to operate

2) **Viewing window**

Allow user to see the cooking status

3) **Rotating axis**

The glass turntable sits on the axis; the motor underneath it drives the turntable to rotate

4) **Rotating ring**

The glass turntable sits on its wheels; it supports the turntable and helps it to balance when rotating

5) **Turntable**

The food sits on the turntable, its rotation during operation helps to cook food evenly

⚠ CAUTION

- Place the rotating ring first
- Fit the turntable onto the rotating axis and make sure that it is geared in properly

6) **Control panel**

See below in details (the control panel is subject to change without prior notice)

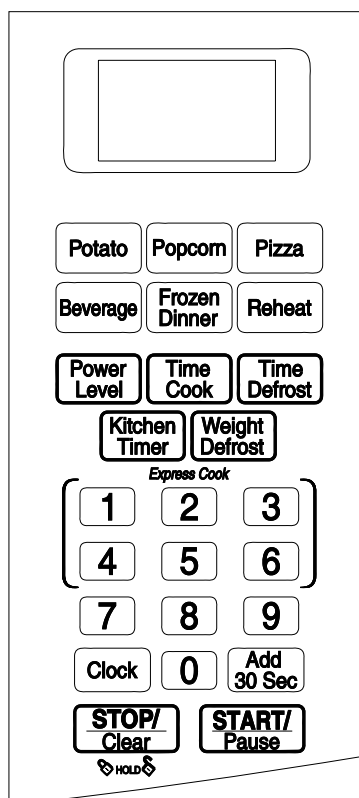
7) Waveguide cover

It is inside the microwave oven, next to the wall of control panel.

WARNING

Never remove the waveguide cover

OPERATION OF CONTROL PANEL



1. STOP/CLEAR

Clear all previous settings before cooking; or go back to standby mode during cooking.

2. START/PAUSE

Touch to start or stop cooking.

3. NUMBER PADS (0-9)

Touch to set the cooking time.

4. SETTING THE CLOCK

- 1) Touch CLOCK once (for 12 hour clock) or twice (for 24 hour).
- 2) Use the number pads to enter correct time.
- 3) Touch CLOCK again.

Note:

This is a 12 or 24 hour clock. During the cooking program, the current time can be seen by touching the CLOCK pad.

5. SETTING THE KITCHEN TIMER

This function can be used alone, even in the process of cooking.

- 1) Touch KITCHEN TIMER pad once.
- 2) Enter the amount of time you want to count down by touching the number pads.
- 3) Touch START/PAUSE pad to start.

Note:

- 1) The maximum time you can enter is 99 minutes and 99 seconds.
- 2) Time count down can be seen in display for 5 seconds by

touching KITCHEN TIMER, and it can be cancelled by touching STOP/CLEAR pad during this 5 seconds.

6. EXPRESS

Program will start immediately after touching the number pad (1-6).

Suppose you want to set the quick cooking in 6 minutes.

- 1) Touch number pad 6.
- 2) 6:00 can be seen on display.
- 3) The program starts automatically.

Touch number pad	Time minutes
1	1 minute
2	2 minutes
3	3 minutes
4	4 minutes
5	5 minutes
6	6 minutes

7. ADD 30 SEC.

Touch to set cooking time to add 30 seconds each.

- 1) Touch once and cooking will start immediately for 30 seconds. Touching this button repeatedly will add 30 seconds each time.
- 2) During the TIME COOK and TIME DEFROST, you can add 30 seconds for each push.

8. TIME COOK

- 1) Touch TIME COOK pad.
- 2) Touch number pad to enter desired cooking time.
The maximum number can be entered is 99 min.99 sec.
- 3) Touch POWER LEVEL pad.
- 4) Use the number pads to enter the power level as shown in the table below.

NUMBER	Display	POWER
1,0	100P	100%
9	90P	90%
8	80P	80%
7	70P	70%
6	60P	60%
5	50P	50%
4	40P	40%
3	30P	30%
2	20P	20%
1	10P	10%

- 5) Touch START/PAUSE pad.

9. SETTING "TIME DEFROST"

- 1) Touch TIME DEFROST pad.
- 2) Enter desired defrosting time by touching correct number pads.
The longest time you can set is 99 min. 99 sec.

3) Touch START/PAUSE pad.

10. SETTING “WEIGHT DEFROST”

1) Touch WEIGHT DEFROST pad.

2) Use the number pad to enter food weight “LB”.

3) When icon of “OZ” flashes, use the number pad to enter food weight in “OZ”.

4) Touch START/PAUSE pad.

Note:

The maximum weight is 5 LB. 16 OZ. During defrosting program, sound beeps will remind user to turn food over, and then press START/PAUSE to resume the defrosting.

11. ONE-TOUCH COOK

For the following menus, you do not need to input cooking power and time. Follow the steps below.

Steps:

1) Place food into oven and close it.

2) Touch the correct auto menu to select the weight or the amount.

3) Touch STRAT/PAUSE pad.

Code	Food	Note
1	Potato	The result of auto cook depends on factors such as the shape and size of food, your personal preference as to the doneness of certain foods and even how well you happen to
2	Popcorn	
3	Pizza	

4	Beverage	place food in the oven.
5	Frozen dinner	
6	Reheat	

1) Baked Potato

Each potato about 3.5-5.3oz

1. Touch BAKED POTATO once for each potato to be cooked.

1 potato	6 min
2 potatoes	8 min
3 potatoes	10 min
4 potatoes	12 min

2. Touch START/PAUSE pad

2) Popcorn

For microwave popcorn:

1. Touch POPCORN.

AMOUNT	COOKING TIME
1 (1.2oz.)	1 min. 45sec.
2 (3.0oz.)	2 min. 35sec.
3 (3.5oz)	2 min. 55sec.

2. Touch START/PAUSE pad

Popcorn instruction:

- To pop package evenly and avoid burning, the bag must be able to turn freely while cooking
- Please listen to the popping sound and watch the bag until

the popping is completed. Some brand of microwave popcorn bags may be larger. Make sure that the bag matches the correct weight.

⚠ CAUTION

Use an oven mitt or potholder when removing the bag, as content can be very hot.

3) Pizza

Reheating pizza:

1. Touch PIZZA pad.
2. Touch PIZZA once for one slice and touch the pad twice for two slices.
3. Touch START/PAUSE pad

4) Beverage

Each cup about 250ml:

1. Touch BEVERAGE once for each cup to be heated.

1 cup.	50sec
2 cups.	2 min
3 cups.	2 min. 50sec
4 cups.	3 min. 40sec

3. Touch START/PAUSE pad.

5) Frozen Dinner

For frozen dinners:

1. Touch FROZEN DINNER pad.
2. Touch the pad once for one slice and touch the pad twice for two slices.
3. Touch START/PAUSE pad.

6) Reheat

For a plate of cool food:

1. Touch REHEAT pad once.
2. Touch START/PAUSE pad.

12. TWO-STAGE COOKING

Use for multi-stage cooking. It enable cooking at multiple power and time settings automatically.

SET STAGE1:

- 1) Place food into oven and close it. Touch TIME COOK pad.
- 2) Use the number pads to set a cooking time.
- 3) Touch POWER LEVEL pad.
- 4) Use the number pads to enter the power level.

SET STAGE2:

- 5) Touch TIME COOK pad.
- 6) Use the number pads to set a cooking time.
- 7) Touch POWER LEVEL pad.
- 8) Use the number pads to enter the power level.
- 9) Touch START/PAUSE to start.

12. SETTING CHILD LOCK

The child lock prevents unsupervised operation by children.

To set, in standby mode, press and hold STOP/CLEAR for 3 seconds.

LOC is indicated on the display.

To cancel, press and hold STOP/CLEAR for 3 seconds.

LOC indication disappears.

UTENSILS GUIDELINE

It is strongly recommended to use the containers which are suitable and safe for microwave cooking. Generally speaking, the containers which are made of heat-resistant ceramic, glass or plastic are suitable for microwave cooking. Never use the metal containers for microwave cooking and combination cooking as spark is likely to occur. You can take the reference of below table.

Material of container	Microwave	Notes
Heat-resistant ceramic	Yes	Never use the ceramics which are decorated with metal rim or glazed
Heat-resistant plastic	Yes	Can not be used for long time microwave cooking
Heat-resistant glass	Yes	
Plastic film	Yes	It should not be used when cooking meat or chops as the over-temperature may do damage to the film
Grill rack	No	
Metal container	No	It should not be used in microwave oven. Microwave can not penetrate through metal.

lacquer	No	Poor heat-resistant. Can not be used for High-temperature cooking
Bamboo wood and paper	No	Poor heat-resistant. Can not be used for High-temperature cooking

COOKING TIPS

The following factors may affect the cooking result:

Food arrangement

Place thicker areas towards outside of dish, the thinner part towards the centre and spread it evenly. Do not overlap if possible.

Cooking time length

Start cooking with a short time setting, evaluate it after it times out and extend it according to the actual need. Over cooking may result in smoke and burns.

Cooking food evenly

Food such as chicken, hamburger or steak should be turned once during cooking.

Depending on the type of food, if applicable, stir it from outside to centre of dish once or twice during cooking

Allow standing time

After cooking times out, leave the food in the oven for an adequate length of time, this allows it to complete its cooking cycle and cooling it down in a gradual manner

Whether the food is done

Color and hardness of food help to determine if it is done, these include:

- Steam coming out from all parts of food, not just the edge
- Joints of poultry can be moved easily
- Pork or poultry shows no signs of blood
- Fish is opaque and can be sliced easily with a fork

Browning dish

When using a browning dish or self-heating container, always place a heat-resistant insulator such as a porcelain plate under it to prevent damage to the turntable and rotating ring.

Microwave safe plastic wrap

When cooking food with high fat content, do not allow the plastic wrap come into contact with food as it may melt

Microwave safe plastic cookware

Some microwave safe plastic cookware might not be suitable for cooking foods with high fat and sugar content. Also, the preheating time specified in the dish instruction manual must not be exceeded

MAINTENANCE

SERVICING

Please check the following before calling for services.

1. Place one cup of water (approx.150ml) in a glass measure in the oven and close the door securely. Oven lamp should go off if the door is closed properly. Let the oven work for 1 min.
2. Does the oven lamp light?
3. Does the cooling fan work?
(Put your hand over the rear ventilation openings.)
4. Does the turntable rotate?
(The turntable can rotate clockwise or counter clockwise. This is quite normal.)
5. Is the water inside the oven hot?

If "NO" is the answer to any of the above questions, please check your wall socket and the fuse in your meter box.

If both the wall socket and the fuse are functioning properly, CONTACT YOUR NEAREST SERVICE CENTER APPROVED.

SERVICING SAFEGUARDS

Caution: MICROWAVE RADIATION

1. The high voltage capacitor remains charge after disconnection; short the negative terminal of H. V capacitor to the oven chassis (use a screwdriver) to discharge before touching.

2. During servicing below listed parts are liable to be removed and give access to potentials above 250V to earth.

- Magnetron
- High voltage transformer
- High voltage capacitor
- High voltage diode
- High voltage fuse

3. The following conditions may cause undue microwave exposure during servicing.

Improper fitting of magnetron;

Improper matching of door interlock, door hinge and door;

Improper fitting of switch support;

Door, door seal or enclosure has been damaged.

Correct Disposal of this product



This marking indicates that this product should not be disposed with other household wastes throughout the EU. To prevent possible harm to the environment or human health from uncontrolled waste disposal, recycle it responsibly to promote the sustainable reuse of material resources. To return your used device, please use the return and collection systems or contact the retailer where the product was purchased. They can take this product for environmental safe recycling.

This device complies with Part 18 of the FCC Rules.