

B20UXP52-A70

USER MANUAL

Thanks for your purchase. Any questions please don't hesitate to contact us, We will handle all your problem ASAP. Your feedback is vital to us! And we will always try to do better. For more details, please contact us by email via support@rovsun.com. (Write your seller's Order # on the subject of the email, so that we can find your order and better assist your issue) Or call us at (1)855-882-2333 .

MADE IN CHINA

TABLE OF CONTENTS

IMPORTANTS GUARDS	3
PRECAUTIONS TO AVOID POSSIBLE EXPOSURE TO EXCESSIVE MICROWAVE ENERGY	8
INSTALLATION	9
AVOID POSSIBLE EXPOSURE TO EXCESSIVE MICROWAVE ENERGY	10
GROUNDING INSTRUCTIONS	10
CLEANING	11
TIPS FOR CLEANING	11
PRODUCT INSTRUCTION	12
OPERATION OF CONTROL PANEL	14
UTENSILS GUIDELINE	21
COOKING TIPS	21
MAINTENANCE	23
SERVICING SAFEGUARDS	23

Household use only

SAVE THESE INSTRUCTIONS

IMPORTANT SAFETY GUARDS

When using electrical appliances basic safety precautions should be followed, including the following:

WARNING – To reduce the risk of burns, electric shock, fire, injury to persons, or exposure to excessive microwave energy:

- 1) Read all instructions before using the appliance.
- 2) Read and follow the specific "PRECAUTIONS TO AVOID POSSIBLE EXPOSURE TO EXCESSIVE MICROWAVE ENERGY" found on page 5.
- 3) This appliance must be grounded. Connect only to properly grounded outlet. See "GROUNDING INSTRUCTIONS" found on page 6.
- 4) Install or locate this appliance only in accordance with the provided installation instructions.
- 5) Some products such as whole eggs and sealed containers – for example, closed glass jars – are able to explode and should not be heated in this oven.
- 6) Use this appliance only for its intended use as described in the manual. Do not use corrosive chemicals or vapors in this appliance. This type of oven is specifically designed to heat, cook, or dry food. It is not designed for industrial or laboratory use.
- 7) As with any appliance, close supervision is necessary when used by children.
- 8) Do not operate this appliance if it has a damaged cord or plug, if it is not working properly, or if it has been damaged or dropped.
- 9) This appliance should be serviced only by qualified service personnel. Contact nearest authorized service facility for examination, repair, or adjustment.
- 10) Do not cover or block any openings on the appliance.
- 11) Do not store this appliance outdoors. Do not use this product near water – for example, near a kitchen sink, in a wet basement, near a swimming pool, or similar locations.

- 12) Do not immerse cord or plug in water.
- 13) Keep cord away from heated surfaces.
- 14) Do not let cord hang over edge of table or counter.
- 15) When cleaning surfaces of door and oven that comes together on closing the door, use only mild, nonabrasive soaps, or detergents applied with a sponge or soft cloth.
- 16) To reduce the risk of fire in the oven cavity:
 - i) Do not overcook food. Carefully attend appliance when paper, plastic, or other combustible materials are placed inside the oven to facilitate cooking.
 - ii) Remove wire twist-ties from paper or plastic bags before placing bag in oven.
 - iii) If materials inside the oven ignite, keep oven door closed, turn oven off, and disconnect the power cord, or shut off power at the fuse or circuit breaker panel.
 - iv) Do not use the cavity for storage purposes. Do not leave paper products, cooking utensils, or food in the cavity when not in use.
- 17) Liquids, such as water, coffee, or tea are able to be overheated beyond the boiling point without appearing to be boiling. Visible bubbling or boiling when the container is removed from the microwave oven is not always present. THIS COULD RESULT IN VERY HOT LIQUIDS SUDDENLY BOILING OVER WHEN THE CONTAINER IS DISTURBED OR A UTENSIL IS INSERTED INTO THE LIQUID.
- 18) Notice for extension cord
 - a) A short power-supply cord is provided to reduce the risks resulting from becoming entangled in or tripping over a longer cord.
 - b) Longer cord sets or extension cords are available and may be used if care is exercised in their use.
 - c) If a long cord or extension cord is used:
 - 1) The marked electrical rating of the cord set or extension cord should be at least as great as the electrical rating of the appliance;
 - 2) The extension cord must be a grounding-type 3-wire cord; and
 - 3) The longer cord should be arranged so that it will not drape over the counter top or tabletop where it can be pulled on by

children or tripped over unintentionally.

The following basic precautions should always be followed when using electrical appliance:

1. Read all instructions before using.
2. Make sure the voltage in your living area corresponding to the one shown on the rating label of the appliance. And the wall socket is properly grounded.
3. TO reduce the risk of fire in the oven cavity:
 - a. DO not overcook the food.
 - b. Remove wire twist -ties from paper or plastic bags before placing bags in the oven.
 - c. Do not heat oil or fat for deep frying as the temperature of oil cannot be controlled.
 - d. After use wipe the waveguide cover with a damp cloth, followed by dry cloth to remove any food splashes and grease. Built -up grease may overheat and begin to cause smoke or catch fire.
 - e. If materials inside the oven should smoke or ignite, keep oven door closed, turn oven off and disconnect the power supply.
 - f. Close supervision is necessary when using disposable containers made from plastic, paper or other combustible material.
4. TO reduce the risk of explosion and sudden boiling:
 - a. Do not place sealed containers in the oven. Baby bottles fitted with a screw cap or teat are considered to be sealed containers.
 - b. When boiling liquid in the oven, use the wide -mouthed container and stand about 20 seconds at the end of cooking to avoid delayed eruptive boiling of liquids.
 - c. Potatoes, sausage and chestnut should be peeled or pierced before cooking. Eggs in their shell, whole hard -boiled eggs should not be heated in microwave ovens since they may explode, even after microwave heating has ended.
 - d. The cooked liquid should not be removed out immediately. Several moments should be waited before removing. In order to avoid possible hazards caused by delayed eruptive boiling of liquids.
 - e. The contents of feeding bottles and baby food jars are to be stirred or shaken and the temperature is to be checked before

consumption, in order to avoid burns.

5. Never operate the oven further if the door or door seals is damaged or the oven is malfunctioned or supply cord is damaged. Return the appliance to the nearest authorised service center for repair and maintenance. Never try to adjust or repair the oven yourself.

6. If the supply cord is damaged, it must be replaced by the manufacturer or its service agent or a qualified technician in order to avoid a shock hazard.

7. After cooking, the container is very hot. Using gloves to take out the food and avoid steam burns by directing steam away from the face and hands.

8. Slowly lift the furthest edge of dishes cover and microwave plastic wrap and carefully open popcorn and oven cooking bags away from the face.

9. TO prevent the turntable from breaking:

a. Let the turntable cool down before cleaning.

b. Do not place hot foods or utensils on the cold turntable.

c. Do not place frozen foods or utensils on the hot turntable.

1) Make sure the utensils do not touch the interior walls during cooking.

2) Failure to maintain the oven in a clean condition could lead to deterioration of the surface that could adversely affect the life of the appliance and possibly result in a hazardous situation.

12. Only use utensils that are suitable for use in microwave ovens.

13. Do not store food or any other things inside the oven.

14. Do not operate the oven without any liquid or food inside the oven. This would do damage the oven.

15. This appliance is not intended for using by young children or infirm persons without supervision.

16. When the appliance is operated in the combination mode, children should only use the oven under adult supervision due to the temperatures generated.

17. Any accessories not recommended by the manufacturer may cause injuries to persons.

18. Do not use outdoors.

19. Save these instructions.
20. WARNING: If the door or door seals are damaged, the oven must not be operated until it has been repaired by a competent person;
21. WARNING: It is hazardous for anyone other than a competent person to carry out any service or repair operation that involves the removal of a cover which gives protection against exposure to microwave energy;
22. WARNING: Liquids and other foods must not be heated sealed container since they are liable to explode;
23. WARNING: Only allow children to use the oven without supervision when adequate instructions have been given so that the child is able to use the oven in a safe way and understands the hazards of improper use;
24. Only use utensils that are suitable for use in microwave ovens;
25. When heating food in plastic or paper containers, keep an eye on the oven due to the possibility of ignition;
26. If smoke is observed, switch off or unplug the appliance and keep the door closed in order to stifle any flames;
27. Microwave heating of beverages can result in delayed eruptive boiling, therefore care must be taken when handling the container;
28. The contents of feeding bottles and baby food jars shall be stirred or shaken and the temperature checked before consumption, in order to avoid burns ;
29. Eggs in their shell and whole hard -boiled eggs should not be heated in microwave ovens since they may explode, even after microwave heating has ended;
30. The oven should be cleaned regularly and any food deposits removed;
31. Failure to maintain the oven in a clean condition could lead to deterioration of the surface that could adversely affect the life of the appliance and possibly result in a hazardous situation;
32. During use the appliance becomes hot. Care should be taken to avoid touching heating elements inside the oven.
33. WARNING: Accessible parts may become hot during use.

Young children should be kept away.

34. Do not use harsh abrasive cleaners or sharp metal scrapers to clean the oven door glass since they can scratch the surface, which may result in shattering of the glass.

35. This appliance is not intended for use by persons (including children) with reduced physical, sensory or mental capabilities, or lack of experience and knowledge, unless they have been given supervision or instruction concerning use of the appliance by a person responsible for their safety.

36. Children should be supervised to ensure that they do not play with the appliance.

37. The appliances are not intended to be operated by means of an external timer or separate remote -control system.

38. The temperature of accessible surfaces may be high when the appliance is operating.



: **CAUTION: HOT SURFACE**

Household use only

PRECAUTIONS TO AVOID POSSIBLE EXPOSURE TO EXCESSIVE MICROWAVE ENERGY

(a) Do not attempt to operate this oven with the door open since open-door operation can result in harmful exposure to microwave energy. It is important not to defeat or tamper with the safety interlocks.

(b) Do not place any object between the oven front face and the door or allow soil or cleaner residue to accumulate on sealing surfaces.

(c) Do not operate the oven if it is damaged. It is particularly important that the oven door close properly and that there is no damage to the: (1) door (bent), (2) hinges and latches (broken or loosened), (3) door seals and sealing surfaces.

(d) The oven should not be adjusted or repaired by anyone except properly qualified service personnel.

INSTALLATION

1. Remove the package from the microwave and carefully check the microwave for damage. Such as:

- a. Whether the furnace body is shocked and shows signs of heavy pressure.
- b. Whether the furnace door is flat and the switch is smooth and flexible.
- c. Whether the metal insulation mesh on the furnace door is bent or deformed.
- d. The power cord is loose or loose.

If you find any of the above, please contact your dealer or our special maintenance department immediately.

2. The microwave oven must be placed flat in a ventilated, dry, non-corrosive environment, away from high temperatures and vapors.

3. Do not place any objects on the top of the stove. In order to have sufficient air circulation space, the product should be placed 85cm above the ground. The distance between the sides of the microwave oven and the wall should be no less than 5cm, the distance between the back of the furnace and the wall should be no less than 10cm and the distance from the top wall cabinet should be no less than 20cm.

4. The microwave oven should be away from the TV, radio and antenna (generally greater than 5m), otherwise it will cause interference.

5. The microwave oven should be placed in the place where the power cable is convenient to plug in, and the grounding is guaranteed to be good. In case of leakage, the grounding wire can be formed.

The current loop avoids electric shock.

6. Be sure to operate the microwave oven with the door closed.

7. Do not place the microwave in the cabinet.

8. When using the microwave oven for the first time, since the residue or grease in the manufacturing process exists in the furnace cavity or on the heating pipe, there may often be odor and even white smoke during heating. This is a normal phenomenon and has been used several times. After this, this will not happen, pay attention to open the doors and windows to maintain good ventilation.

This device complies with Part 18 of the FCC Rules.

AVOID POSSIBLE EXPOSURE TO EXCESSIVE MICROWAVE ENERGY

- (a) Do not operate or allow the oven to be operated with the door open.
- (b) Make the following safety checks on all ovens to be serviced before activating the magnetron or other microwave source, and make repairs as necessary: (1) interlock operation, (2) proper door closing, (3) seal and sealing surfaces (arcing, wear, and other damage), (4) damage to or loosening of hinges and latches, (5) evidence of dropping or abuse.
- (c) Before turning on microwave power for any service test or inspection within the microwave generating compartments, check the magnetron, wave guide or transmission line, and cavity for proper alignment, integrity, and connection.
- (d) Any defective or misadjusted components in the interlock, monitor, door seal, and microwave generation and transmission systems shall be repaired, replaced, or adjusted by procedures described in this manual before the oven is released to the owner.
- (e) A microwave leakage check to verify compliance with the Federal Performance Standard should be performed on each oven prior to release to the owner.

GROUNDING INSTRUCTIONS

This appliance must be grounded. In the event of an electrical short circuit, grounding reduces the risk of electric shock by providing an escape wire for the electric current. This appliance is equipped with a cord having a grounding wire with a grounding plug. The plug must be plugged into an outlet that is properly installed and grounded.

WARNING – Improper use of the grounding can result in a risk of electric shock. Consult a qualified electrician or serviceman if the grounding instructions are not completely understood, or if doubt exists as to whether the appliance is properly grounded, and either:

- 1) If it is necessary to use an extension cord, use only a 3-wire extension cord that has a 3-blade grounding plug, and a 3-slot receptacle that will accept the plug on the appliance. The marked

rating of the extension cord shall be equal to or greater than the electrical rating of the appliance, or

2) Do not use an extension cord. If the power supply cord is too short, have a qualified electrician or serviceman install an outlet near the appliance.

CLEANING

MICROWAVE OVEN CARE

CAUTION

The oven should be cleaned regularly and any food deposits removed.

WARNING

1. Remove the power cord from the wall outlet before cleaning. Don't immerse the appliance in water or other fluids when cleaning.
2. Failure to maintain the oven in a clean condition could lead to deterioration of the surface that could adversely affect the life of the appliance and possibly result in a hazardous situation
3. Never use hard detergent, gasoline, abrasive powder or metal brush to clean any part of the appliance
4. Do not remove the waveguide cover
5. When the microwave oven has been used for a long time, there may be some strange odors exist in oven, Following 3 methods can get rid of them:
 - a. Place several lemon slices in a cup, then heat with high Micro Power for 2-3 minutes.
 - b. Place a cup of red tea in oven, then heat with high micro power for 2-3 minutes.
 - c. Put some orange peel into oven, and then heat them with high Micro Power for 1 minute.
6. **WARNING:** Only allow children to use the oven without supervision when adequate instructions have been given so that the child is able to use the oven in a safe way and understands the hazards of improper use.

TIPS FOR CLEANING

Details for cleaning door seals, cavity and adjacent parts:

Exterior:

Wipe the enclosure with a dampened soft cloth

Door:

Using a dampened soft cloth, wipe clean the door and window

Wipe the door seals and adjacent parts to remove any spill or spatter

Wipe the control panel with a slightly dampened soft cloth

Interior walls:

Wipe clean the cavity with a dampened soft cloth

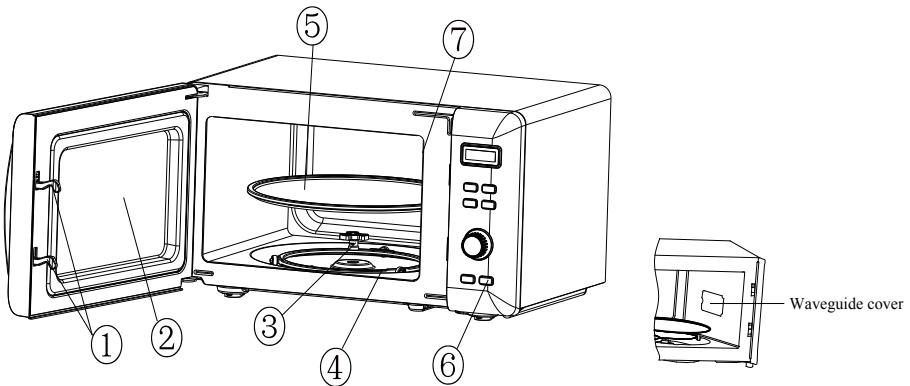
Wipe clean the waveguide cover to remove any food splashed

Turntable/ Rotation ring/ Rotation axis:

Wash with mild soap water

Rinse with clean water and allow drying thoroughly

PRODUCT INSTRUCTION



1) Door lock

Microwave oven door must be properly closed in order for it to operate

2) Viewing window

Allow user to see the cooking status

3) Rotating axis

The glass turntable sits on the axis; the motor underneath it drives the turntable to rotate

4) Rotating ring

The glass turntable sits on its wheels; it supports the turntable and helps it to balance when rotating

5) **Turntable**

The food sits on the turntable, its rotation during operation helps to cook food evenly

CAUTION

- Place the rotating ring first
- Fit the turntable onto the rotating axis and make sure that it is geared in properly

6) **Control panel**

See below in details (the control panel is subject to change without prior notice)

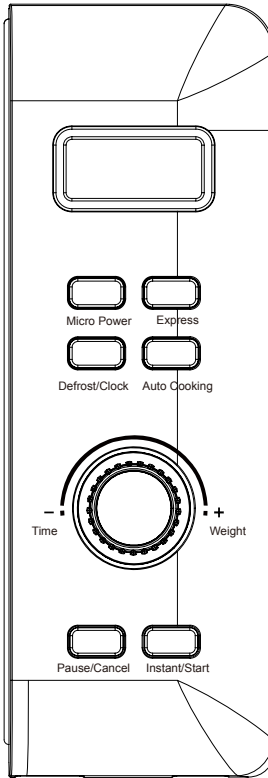
7) **Waveguide cover**

It is inside the microwave oven, next to the wall of control panel.

WARNING

Never remove the waveguide cover

OPERATION OF CONTROL PANEL



1. START

After power-on, the LED will flash 3 times, then enter the standby state and display the clock.

2. “TIME.WEIGHT” KNOB

When setting up the cooking program, you can increase or decrease the cooking time, adjust the defrosting and the automatic menu weight by turning the “Time/Weight” knob.

3. PAUSE/CANCEL

Press the “Pause/Cancel” button to cancel the setting firepower, cooking or defrosting procedure. When cooking, press the “Pause/Cancel” button once to pause and press twice to cancel the procedure. When you reset the cooking procedure, you must

press this button to cancel the previous settings.

4. AUTO REMINDER

When the cooking or defrosting procedure is completed, there is a beep sound to remind, and the display screen shows "End". If the oven door is not opened or the "Pause/Cancel" button is not pressed, the microwave oven will beep 3 beeps every 3 minutes.

5. CLOCK SETTING

In the standby mode, press and hold the "Defrost/Clock" button for 3 seconds to enter the clock setting state, turn the knob, and enter the hour. Press the "Defrost/Clock" button again to enter the minute setting, turn the knob, and enter the minute. Finally, press the "Defrost/Clock" button to confirm. The clock enters the running state and the clock setting is completed.

6. MICROWAVE COOKING

Press the "Micro Power" button, the LED circularly displays 100P (high power), 80P (medium high power), 60P (medium power), 40P (medium low power) and 20P (low power).

High power	100% microwave power. Applicable for fast cooking
Medium High power	80% microwave power. Applicable for faster cooking
Medium power	60% microwave power. Applicable for steaming food
Medium Low power	40% microwave power. Applicable for defrosting food
Low power	20% microwave power. Applicable for keeping warm

CAUTION

- 1) The max time which can be set is 60 minutes.
- 2) Never operate the oven empty. Do not use metal utensils to avoid damage to the microwave oven or danger.

3) If you turn the food during operation, press Start button once and the preset cooking procedure will continue.

4) If you intend to remove the food before the preset time, you must press Pause/Cancel button once to clear the preset procedure to avoid unintended operation of next time use.

5) In order to avoid the long-term high-power work affecting the life of the microwave oven, after a certain period of high-power work, it will automatically reduce the power.

Example: To cook at 80P for 10 minutes.		
	Steps	Display
1	Power on	
2	Press the "Micro Power" button twice to select the required microwave power	80P
3.	Turn the "Time/Weight" knob and set the time to 10:00	10:00
4	Press the "Start" button and the LED will show the remaining cooking time.	

7. EXPRESS

Press the "Express" button and the LED display will show: "0:30", "1:00", "1:30" and then press the "Start" button to start cooking. This feature makes it easy to heat a cup of water or beverage.

8. DEFROST

In the standby mode, press the "Defrost/Clock" button, the LED shows d.1, which is suitable for defrosting meat, and the defrosting range is 3.5-70.0oz. After selecting the weight, press the "Start" button to start the work.

CAUTION

1) The thickness of the microwave unilateral penetrating food should not exceed 4cm. If the food of the thicker and larger pieces is thawed, it should be turned over from time to time, and the

thawed part should be taken out to obtain a better thawing effect. Otherwise, it may cause the surface portion to heat up, while the thicker portion of the center is still not defrosted.

- 2) Generally, defrosting food is a little longer than cooking food.
- 3) When the food can be cut with a knife, it can be considered to be defrosted.

9. AUTO COOKING

In the standby mode, press the “Auto Cooking” button to display: A.1, A.2, A.3, A.4, A.5, A.6, A.7, A.8, A.1... cycle. After selecting the menu, turn the “Time/Weight” knob to select the menu weight, then press the “Start” button to start cooking, the microwave oven starts working, and the LED shows the remaining cooking time. Select the appropriate menu according to the type and weight of the food, please strictly refer to the automatic cooking program menu operation (see the table below), otherwise it will seriously affect the cooking effect.

Display	Kind	Method
A.1	Popcorn	Cooking weight (3.5oz)
A.2	Reheat	There are five cooking weight options (7.0oz, 14.0oz, 21.0oz, 28.0oz, 35.0oz)
A.3	Beverage	Cooking cups (1 cup, 2 cups, 3 cups)
A.4	Pizza	Servings (1 serving, 2 servings)
A.5	Potato	There are two cooking weight options (16.0oz, 24.0oz)
A.6	Vegetable	There are five cooking weight options (3.5oz, 7.0oz, 10.5oz, 14.0oz, 18.0oz)
A.7	Meat	There are five cooking weight options (3.5oz, 7.0oz, 10.5oz, 14.0oz, 18.0oz)
A.8	Fish	There are five cooking weight options (3.5oz, 7.0oz, 10.5oz, 14.0oz, 18.0oz)



1) The above procedure is designed according to the temperature of food at 20-25 °C. If the food is at different temperatures, the cooking effect will be different. Please adjust it according to the actual situation.

2) When cooking potatoes, etc., it is recommended to cover the food with a layer of wrap to prevent evaporation of water during cooking.

3) The shape, weight and temperature of the food will affect the cooking effect. When using the automatic cooking menu program, please follow the conditions mentioned. If the cooking effect is not satisfactory, please adjust it yourself.

Example: Cook 7.0oz of fish		
	Steps	Display
1.	Power on	
2.	Press the “Auto Cooking” button to select the automatic menu A.8	
3	Turn the Time/Weight knob to set the weight	7.0
4.	Press “Start” to cook, the display will show the remaining time	
5	Start cooking by pressing Start button	

10. AUTOMATIC DELAYED FUNCTION

If you do not want the menu be started immediately, the desired startup time can be preset, and when the preset time is reached, the microwave oven will automatically start the preset program. The setting will consist of 2 steps:

1. Setting the current clock;
2. Setting the cooking menu and time.

Example: Now it is 12:30 Clock, if you hope that the microwave oven will automatically start cooking with 100P microwave power for 9 minutes and 30 seconds at 14:20

	Steps	Display
1	Set the current clock.	
1.1	Press the “Defrost/Clock” button, “hour position” starts to flash	
1.2	Turn the “Time/Weight” knob to set the hour to “12”	12:00
1.3	Press the "Defrost/Clock" button again to confirm	
1.4	Turn the “Time/Weight” knob to set the minute to “30”	12:30
1.5	Press the "Defrost/Clock" button or wait for 60 seconds to enter the clock state	
2	Set cooking program and cooking time	
2.1	Press the "Micro Power" button to select microwave power	100P
2.2	Turn the “Time/Weight” knob to set the cooking time	9:30
2.3	Press the "Defrost/Clock" button for 3 seconds to return to the current clock	
3	Repeat steps 1.2、1.3、1.4 to set the startup time	14:20
4	After pressing the “Defrost/Clock” button to confirm the delay menu, the menu is activated automatically at 14:20	
5	Press the “Defrost/Clock” button to view the preset startup time	

11. MULTI-SEQUENCE COOKING

In order to get better cooking results, some recipes require different cooking modes or time to cook. You can set the following personalized menu.

Example: cooking with 100P microwave high fire for 3 minutes and then cooking with 20P for 9 minutes		
	Steps	Display
1	Set 100P high fire cooking for 3 minutes	100P
1.1	Press the "Micro Power" button to set the microwave firepower 100P	3:00
1.2	Turn the "Time/Weight" knob to set the microwave cooking time for 3 minutes	12:30
2	Set 20P cooking for 9 minutes	
2.1	Press the " Micro Power " button to select 20P	20P
2.2	Turn the "Time/Weight" knob to set the cooking time for 9 minutes	9:00
3	Press the " Start" button to start cooking	

CAUTION

- 1) When the 100P microwave fire cooking stage is completed, it will automatically enter the next cooking stage.
- 2) The program set up each time cannot exceed 4 stages at most.

12. CHILD LOCK FUNCTION

This feature is primarily intended to prevent children from using the microwave oven without adult guidance or to protect the control panel when cleaning. When in child safety lock mode, all buttons will be locked.

Set child lock: Hold "Pause/Cancel" button about 3 seconds.

Cancel child lock: Hold "Pause/Cancel" button about 3 seconds.

UTENSILS GUIDELINE

Depending on the cooking method, it is necessary to choose a safe and suitable vessel. If it is not properly selected, it will not only affect the cooking effect, but also cause damage to the vessel or microwave oven. Please refer to the table below for use:

Material of container	Microwave	Notes
Heat-resistant ceramic	Yes	Never use the ceramics which are decorated with metal rim or glazed
Heat-resistant plastic	Yes	Can not be used for long time microwave cooking
Heat-resistant glass	Yes	
Grill rack	No	
Plastic film	Yes	It should not be used when cooking meat or chops as the over-temperature may do damage to the film

COOKING TIPS

The following factors may affect the cooking result:

Food arrangement

Place thicker areas towards outside of dish, the thinner part towards the centre and spread it evenly. Do not overlap if possible.

Cooking time length

Start cooking with a short time setting, evaluate it after it times out and extend it according to the actual need. Over cooking may result in smoke and burns.

Cooking food evenly

Food such as chicken, hamburger or steak should be turned once

during cooking.

Depending on the type of food, if applicable, stir it from outside to centre of dish once or twice during cooking

Allow standing time

After cooking times out, leave the food in the oven for an adequate length of time, this allows it to complete its cooking cycle and cooling it down in a gradual manner

Whether the food is done

Color and hardness of food help to determine if it is done, these include:

- Steam coming out from all parts of food, not just the edge
- Joints of poultry can be moved easily
- Pork or poultry shows no signs of blood
- Fish is opaque and can be sliced easily with a fork

Browning dish

When using a browning dish or self-heating container, always place a heat-resistant insulator such as a porcelain plate under it to prevent damage to the turntable and rotating ring.

Microwave safe plastic wrap

When cooking food with high fat content, do not allow the plastic wrap come into contact with food as it may melt

Microwave safe plastic cookware

Some microwave safe plastic cookware might not be suitable for cooking foods with high fat and sugar content. Also, the preheating time specified in the dish instruction manual must not be exceeded.

MAINTENANCE

SERVICING

Please check the following before calling for services.

1. Place one cup of water (approx.150ml) in a glass measure in the oven and close the door securely. Oven lamp should go off if the door is closed properly. Let the oven work for 1 min.

2. Does the oven lamp light?

3. Does the cooling fan work?

(Put your hand over the rear ventilation openings.)

4. Does the turntable rotate?

(The turntable can rotate clockwise or counter clockwise. This is quite normal.)

5. Is the water inside the oven hot after 1 minute?

If “NO” is the answer to any of the above questions, please check your wall socket and the fuse in your meter box.

If both the wall socket and the fuse are functioning properly, CONTACT YOUR NEAREST SERVICE CENTER APPROVED.

SERVICING SAFEGUARDS

Caution: MICROWAVE RADIATION

1. **Warning:** There is microwave radiation and high voltage in the microwave. Except for maintenance technicians, it is strictly forbidden to dismantle it by yourself to avoid harm to the human body. Do not expose to radiation from microwave generators or other conducted microwave energy components!

Warning: When the microwave oven is running, the surface temperature will be very high!

2. During servicing below listed parts are liable to be removed and give access to potentials above 250V to earth.

- Magnetron
- High voltage transformer
- High voltage capacitor

- High voltage diode

3. The following conditions may cause undue microwave exposure during servicing.

- Improper fitting of magnetron;
- Improper matching of door interlock, door hinge and door;
- Improper fitting of switch support;
- Door, door seal or enclosure has been damaged.

Correct Disposal of this product



This marking indicates that this product should not be disposed with other household wastes throughout the EU. To prevent possible harm to the environment or human health from uncontrolled waste disposal, recycle it responsibly to promote the sustainable reuse of material resources. To return your used device, please use the return and collection systems or contact the retailer where the product was purchased. They can take this product for environmental safe recycling.