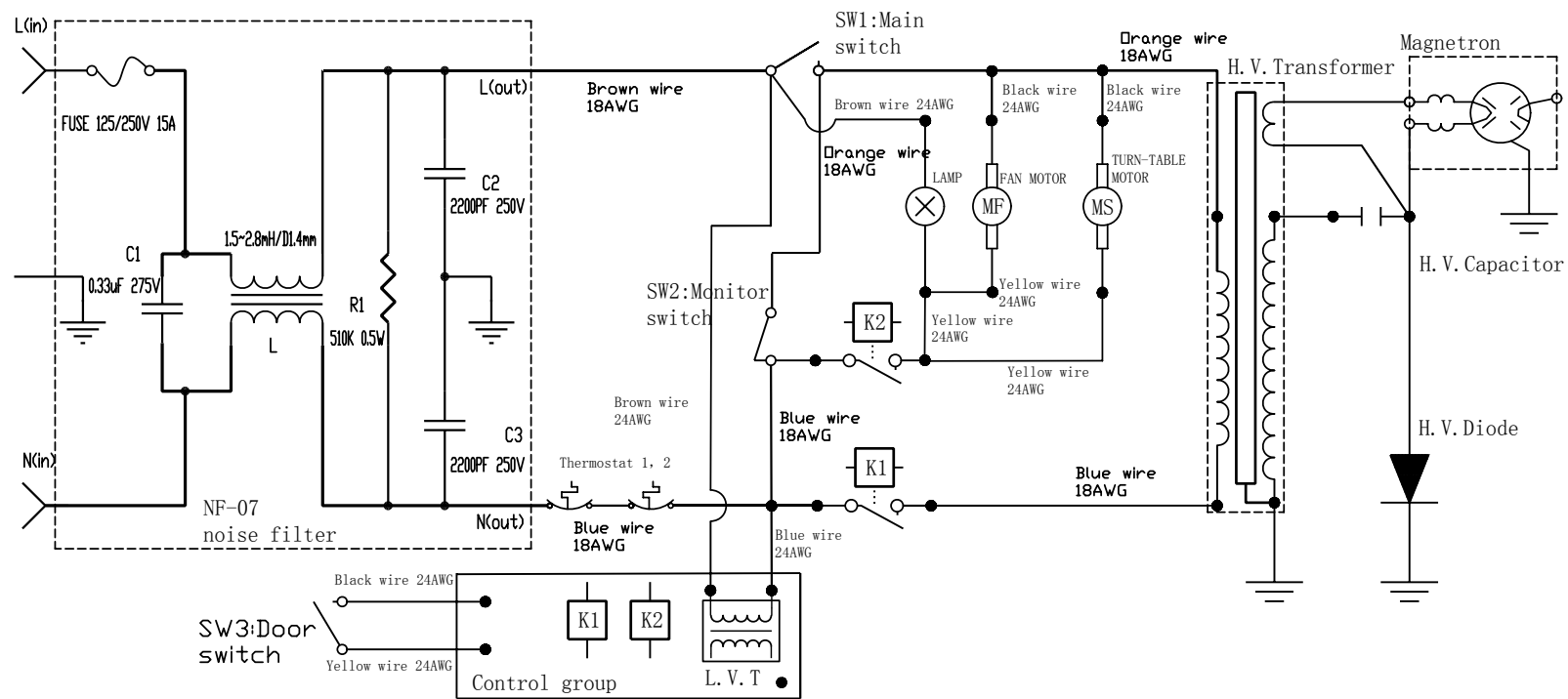
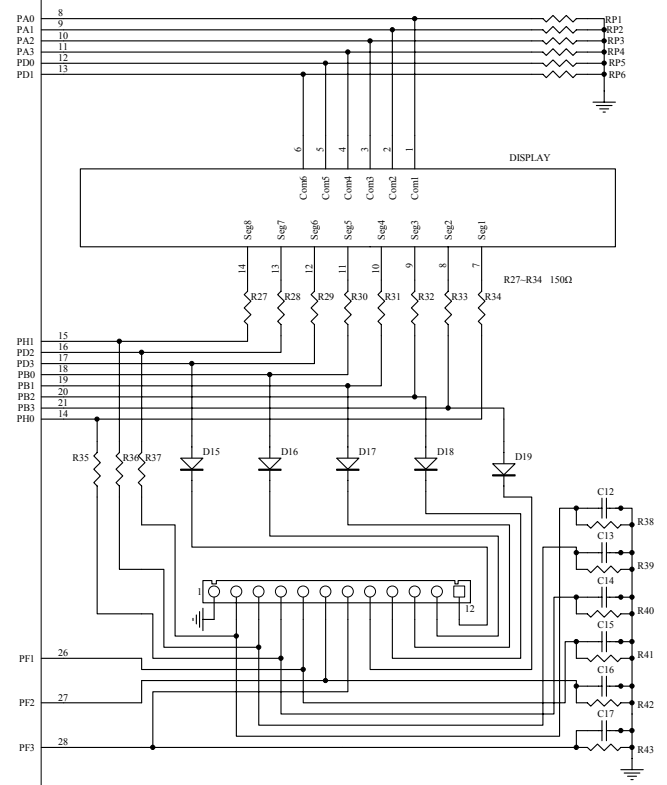
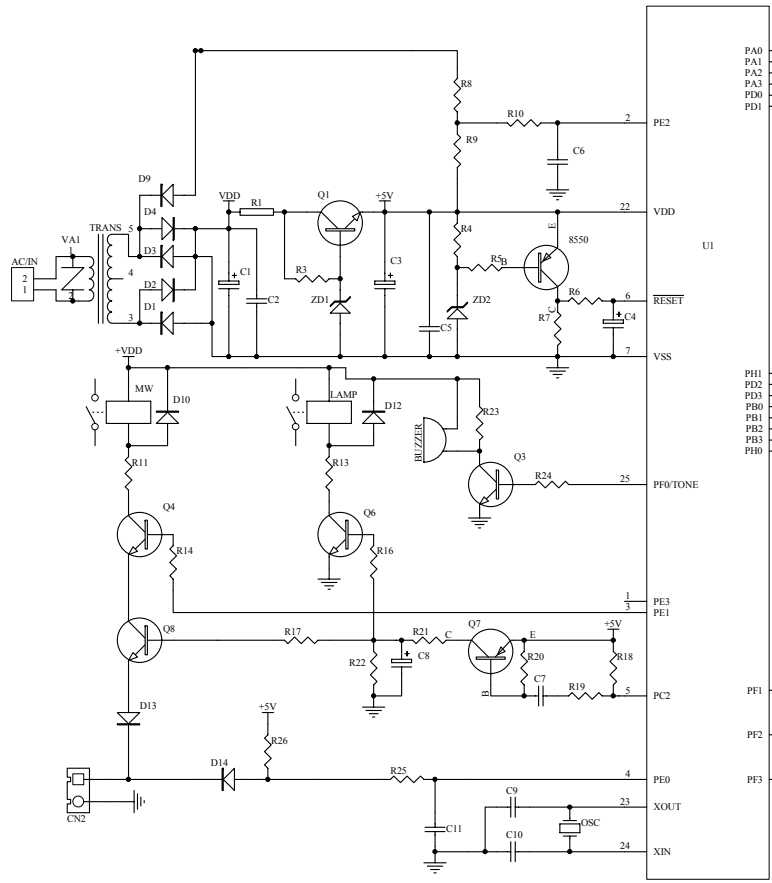


DOC.NO:



						MAT'L:				DONLIM WEILI ELECTRICAL APPLIANCES CO., LTD					
										TITLE: (ETL, FDA, FCC)					
						PHASE MARKING				UNIT		SCALE		WEIGHT	
MARK	QTY	SUBAREA	REVISED	DOC NO	SIGN	DATE	S	A	B	mm			DWG.NO: 17PX56-00-31		
PRPARED/DATE			CRAFT/DATE			SHEET:						MATERIAL CODE:			
CHECKEN/DATE			STANDARD/DATE			FIRST ANGLE PROJECTION				MODEL: 17PX56					
REVIEWED/DATE			APPROVED/DATE												

DOC.NO:



ECN :	
ZHONGSHAN DONLIM WEILI ELECTRICAL APPLIANCES CO., LTD.	
MODEL : 17PX56	PART.NO:
TITLE:	DWG.NO:
MATL:	REV: A
QTY:	SCALE:
	PREPARED BY:
	DEAE:
	SHEET: 1 OF 1
	CHECKED BY:
	DATE:
	UNITS: mm
	REVIEWED BY :
	DATE:
	FRAME: A4
	APPROVED BY:
	DATE: