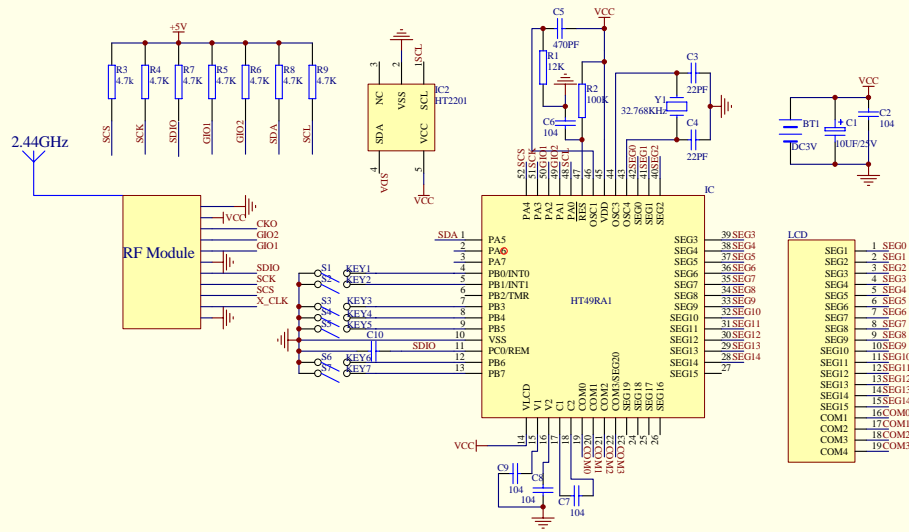


DOC.NO:

TOLERANCE			
GRADE	A	B	C
SCALE	mm	mm	mm
-10	0.1	0.2	0.3
10-30	0.2	0.3	0.5
30-100	0.3	0.5	0.7
100-300	0.5	0.8	1.2
300-1000	0.8	1.0	2.5
ANGLE	1	2	5



				MAT'L:			DONLIM WEILI ELECTRICAL APPLIANCES CO., LTD	
				PHASE MARKING			TITLE:	
				UNIT SCALE WEIGHT			Circuit diagram	
				S A B mm 1:1			DWG.NO:	
MARK QTY				SUBAREA			ES40-REMOTE-11	
REVISED DOC NO				SIGN DATE			MATERIAL CODE:	
CRAFT/DATE				SHEET 1 OF 1			2359ESQ406001	
STANDARD/DATE				FIRST ANGLE PROJECTION			MODEL: ES30/40	
APPROVED/DATE								