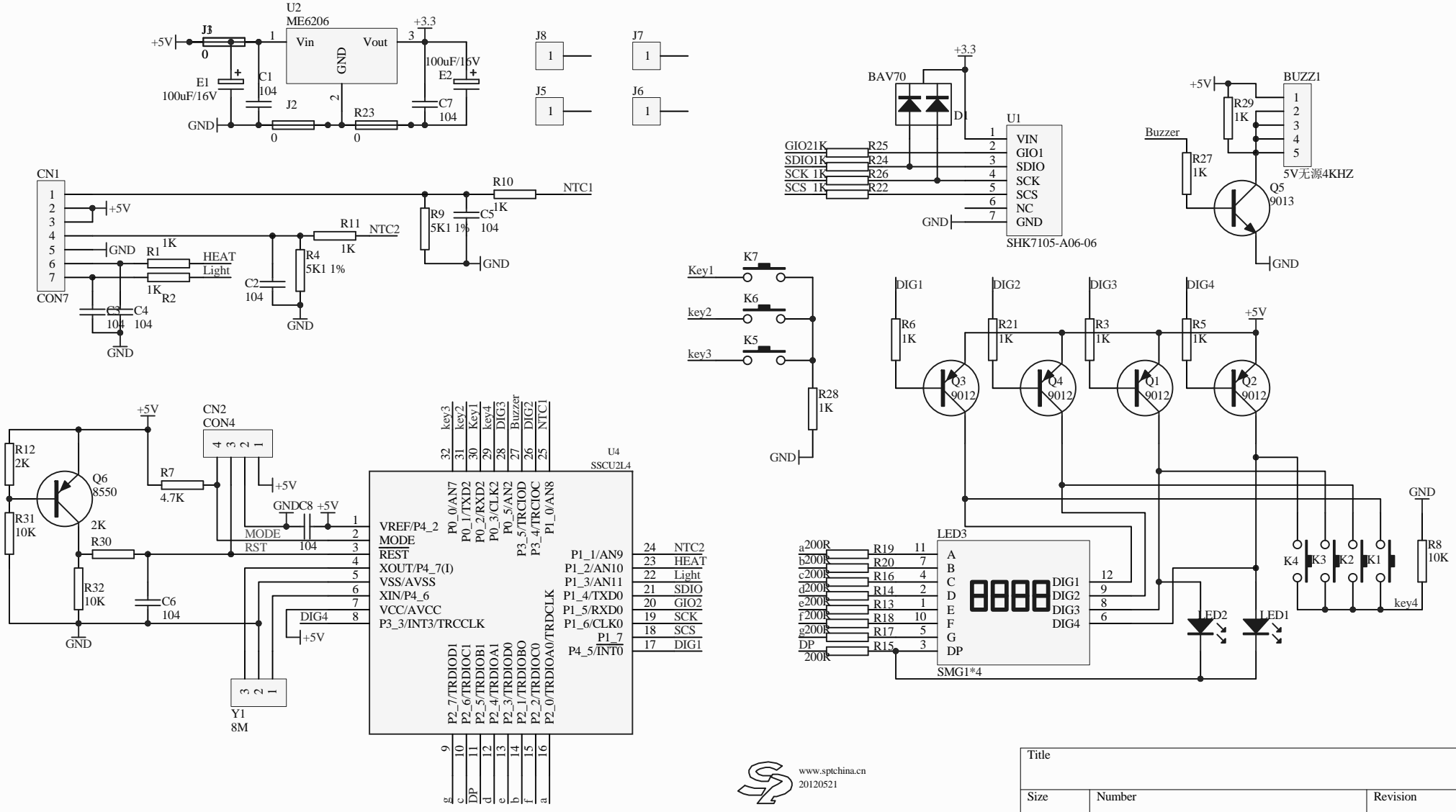
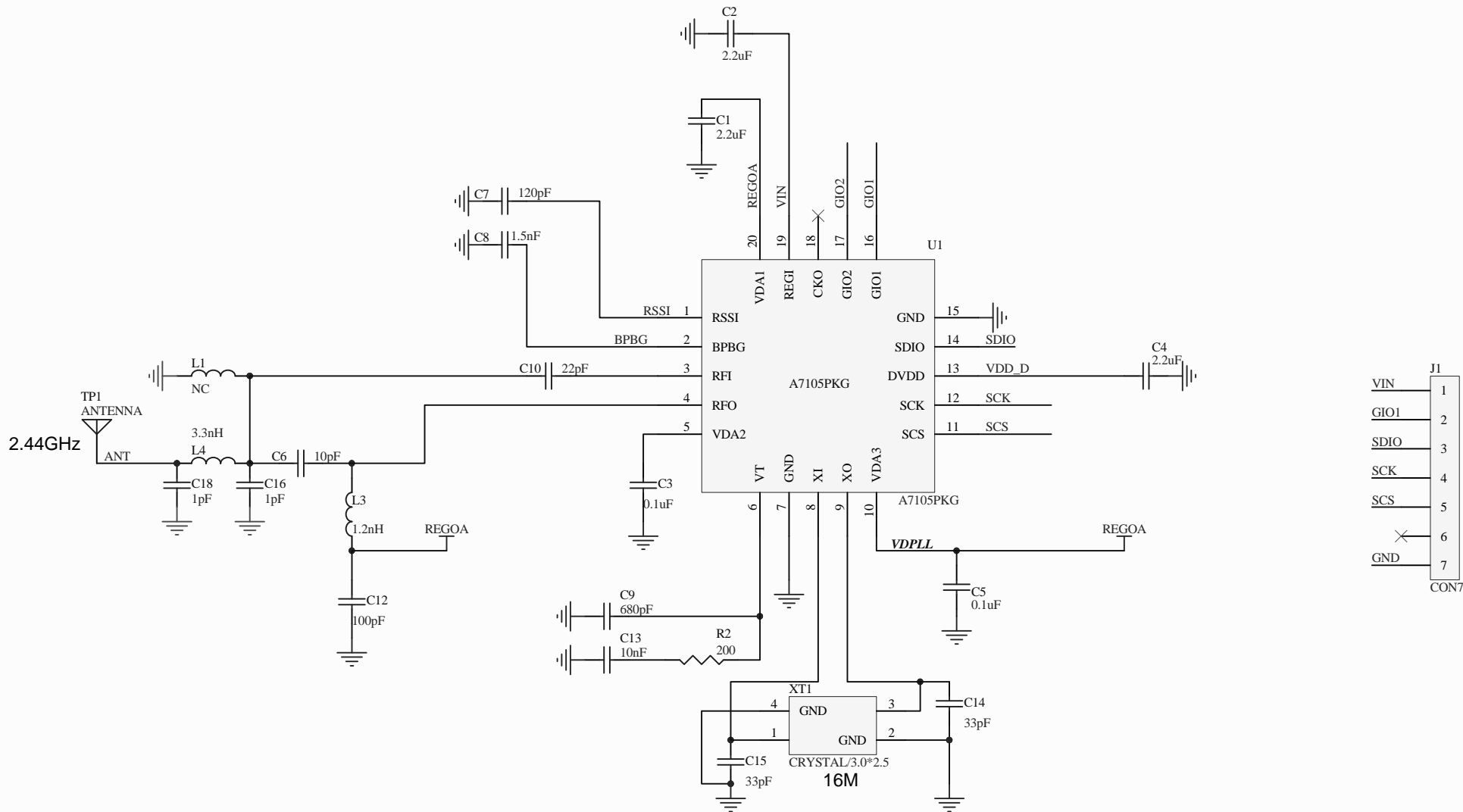


Host unit of the Electric Smoker



www.sptchina.cn
20120521

Title		
Size	Number	Revision
A4		
Date:	2012/6/19	Sheet of
File:	E:\电烤炉控制器\..ESQ40BSW2-DISPLAY\2012061905.Sch	



Title		
SHK7105-A06-06		
Size	Number	Revision
A4	2010.01.26	
Date:	2012/6/19	Sheet of
File:	E:\电烤箱控制器\.\SHK 7105 12.5mm-21mm.S6BBy:	