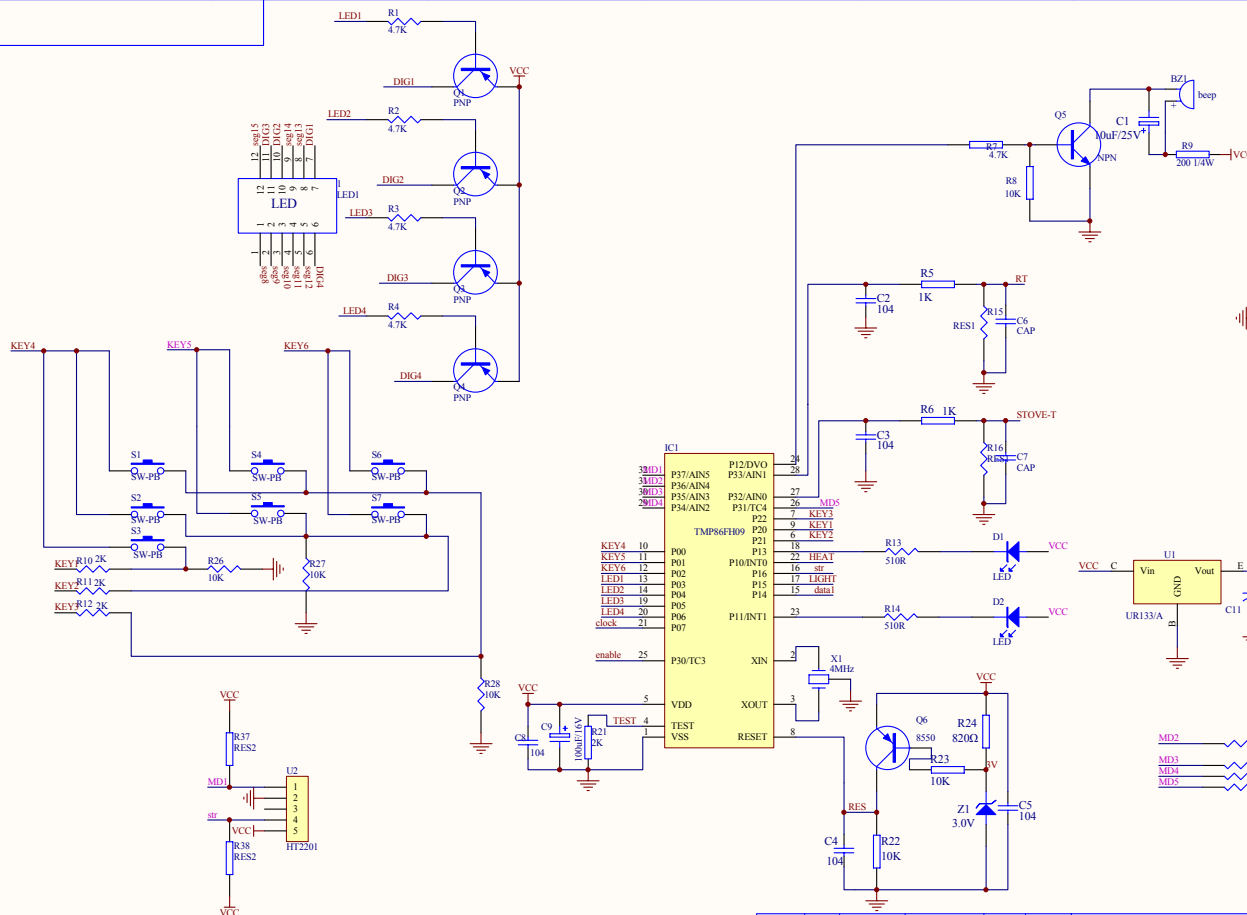


DOC.NO:

TOLERANCE			
GRADE SCALE	A mm	B mm	C mm
-10	0.1	0.2	0.3
10-30	0.2	0.3	0.5
30-100	0.3	0.5	0.7
100-300	0.5	0.8	1.2
300-1000	0.8	1.0	2.5
ANGLE	1	2	5



				MAT'L:		DONLIM WEILI ELECTRICAL APPLIANCES CO., LTD	
				PHASE MARKING		TITLE: 烟熏炉控制板电路原理图	
				UNIT SCALE WEIGHT		DWG.NO: ESQ30/40-D-11	
MARK QTY SUBAREA				REVISED DOC NO		MATERIAL CODE:	
PRB/PARED /DATE				CRAFT/DATE		SHEET 1 OF 1	
CHECKEN/ DATE				STANDARD/ DATE		FIRST ANGLE PROJECTION	
REVIEWED /DATE				APPROVED/ DATE		MODEL: ESQ30/40	