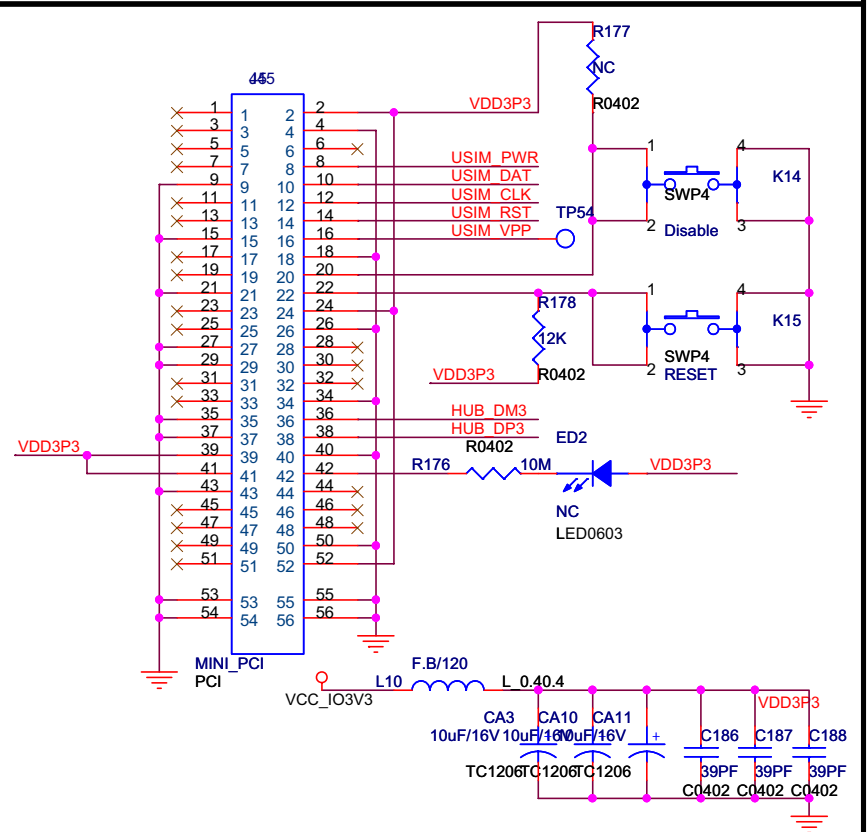
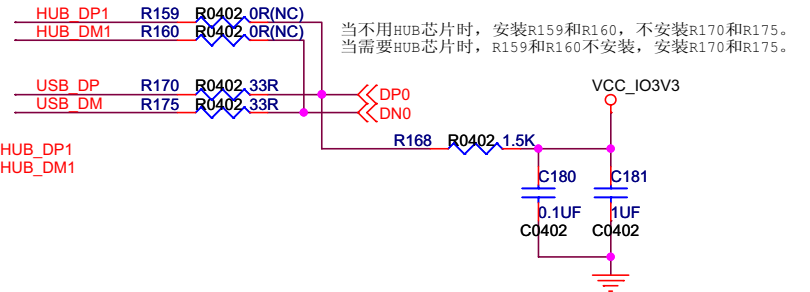
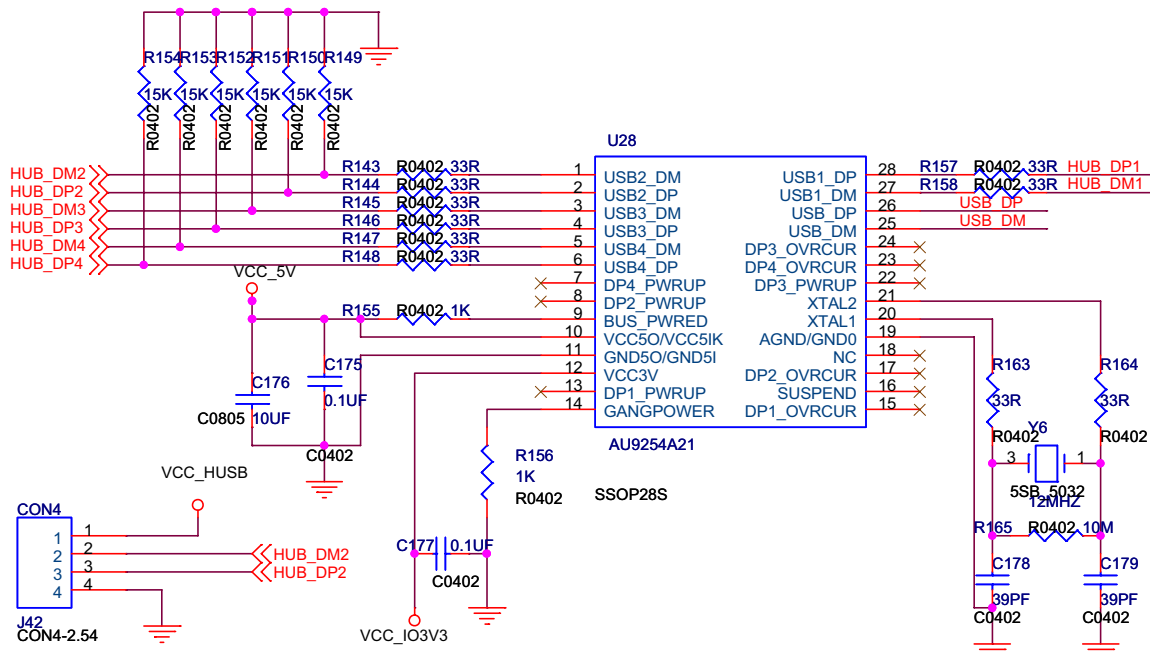
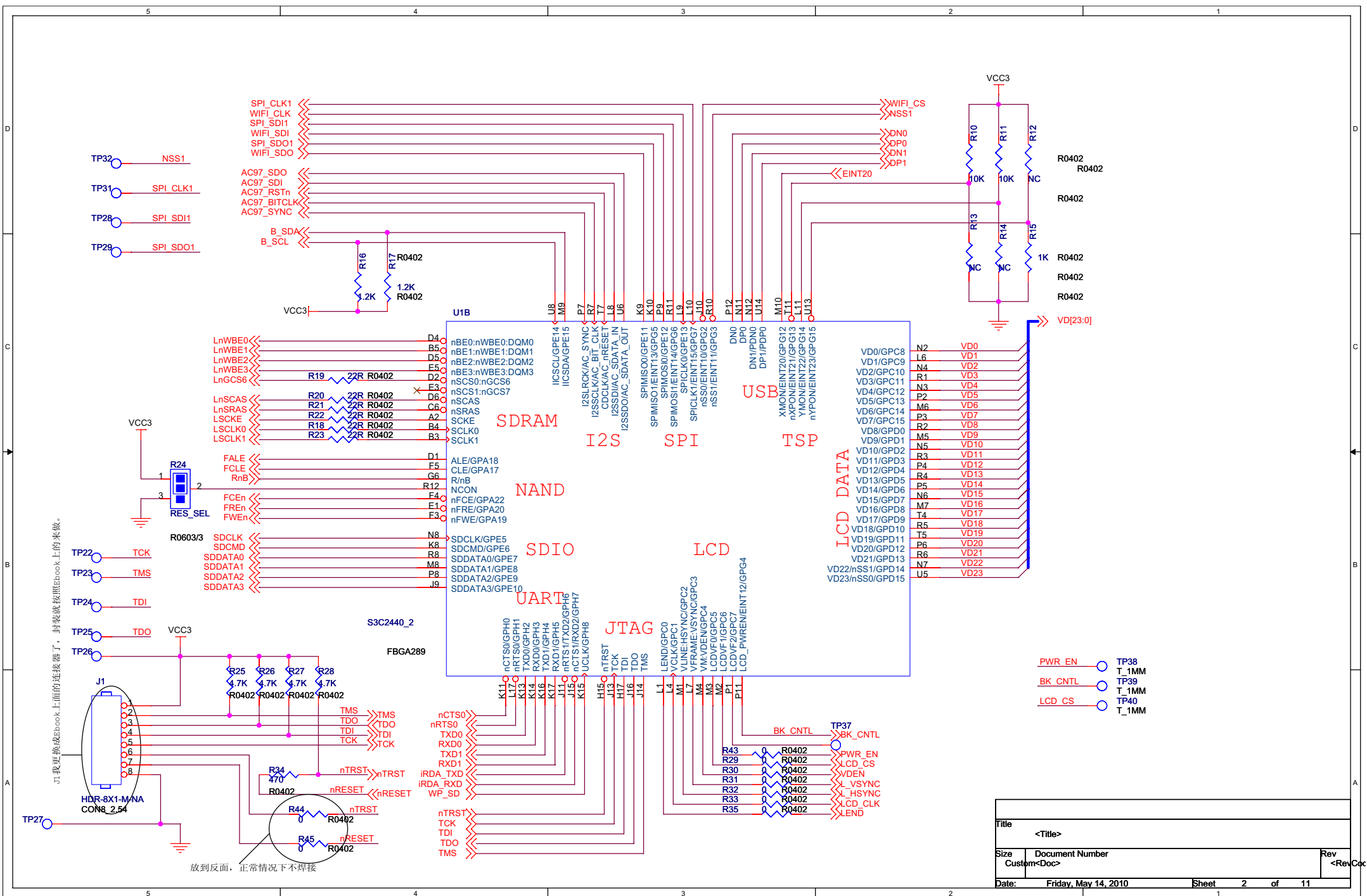


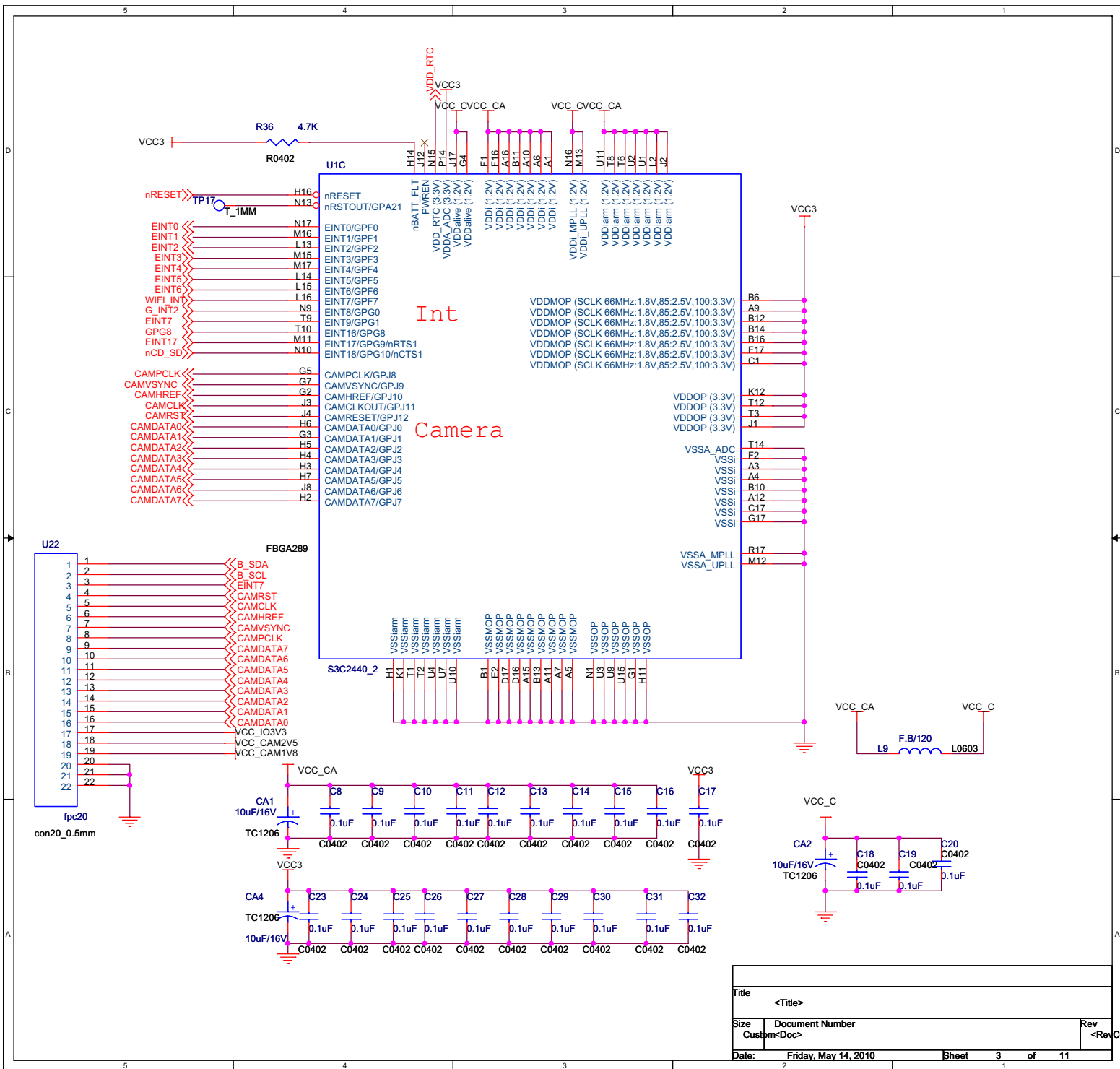
Title		<Title>
Size	Document Number	Rev
A3	<Doc>	<RevCode>
Date:	Friday, May 14, 2010	Sheet 1 of 11



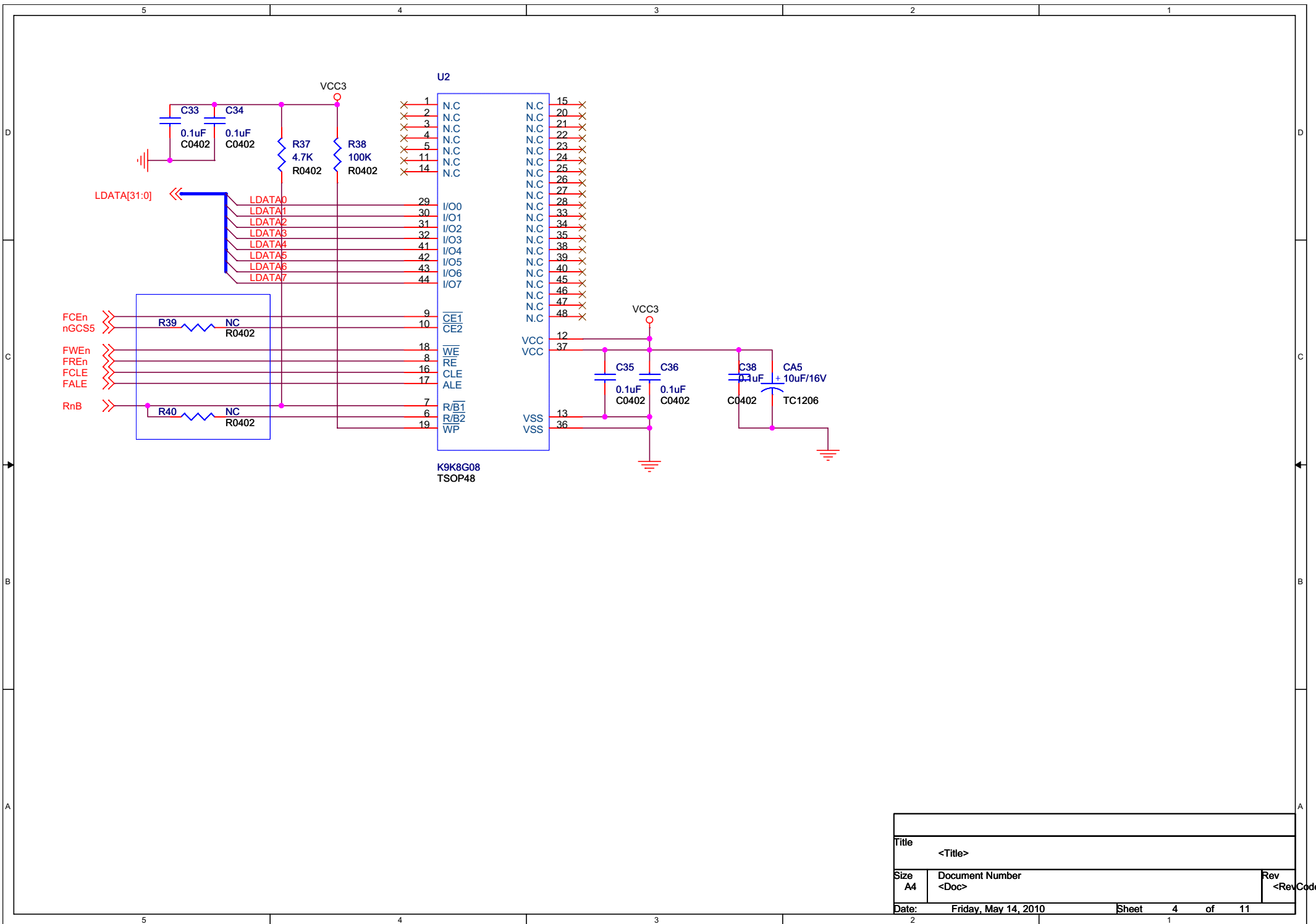
SIM 卡接口

Title		
<Title>		
Size	Document Number	Rev
A4	<Doc>	<RevCode>
Date:	Friday, May 14, 2010	Sheet 1 of 1



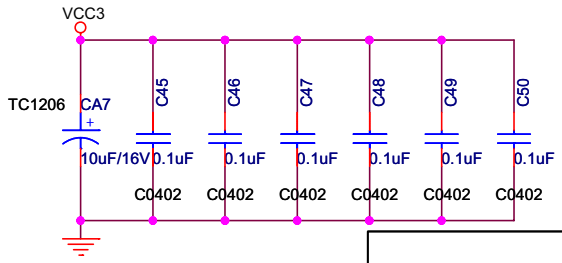
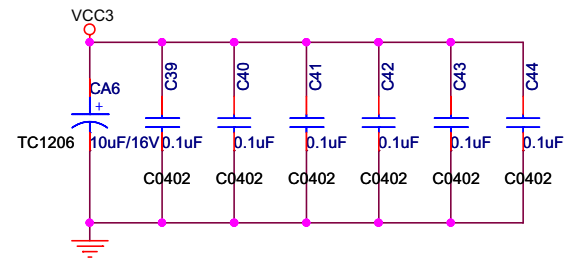
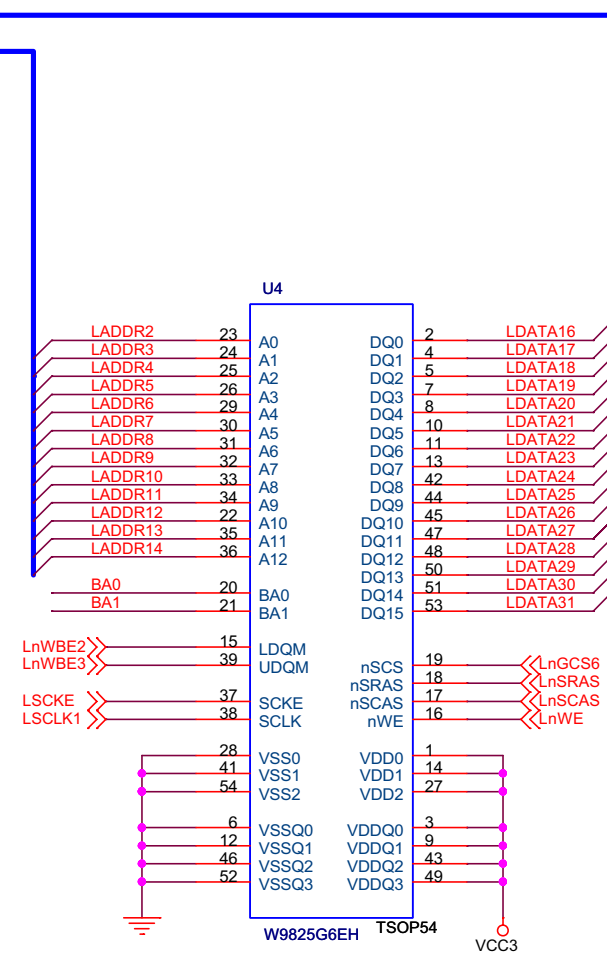
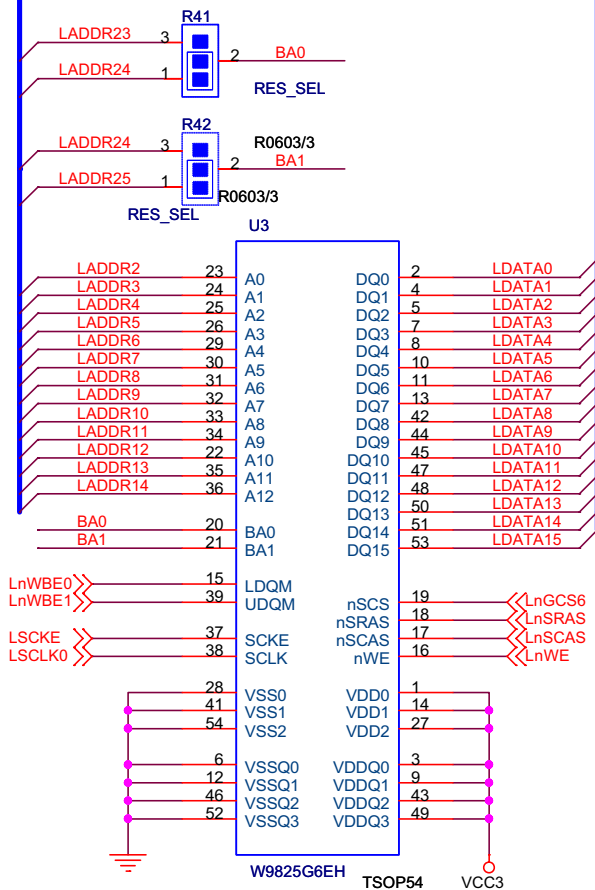


Title			
<Title>			
Size	Document Number		Rev
Custom<Doc>			<RevCode>
Date:	Friday, May 14, 2010	Sheet	3 of 11

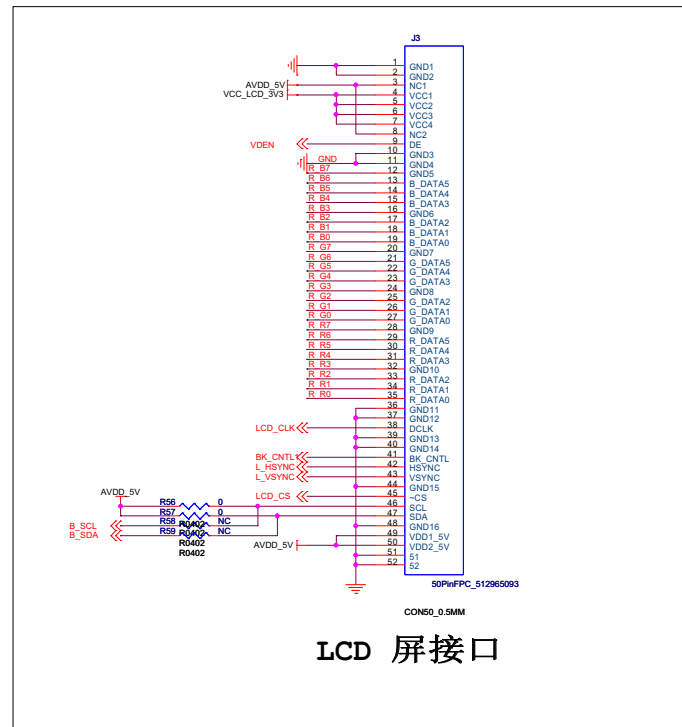
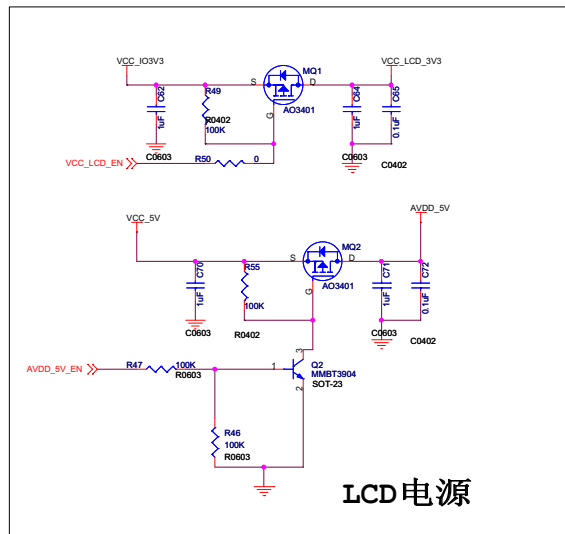
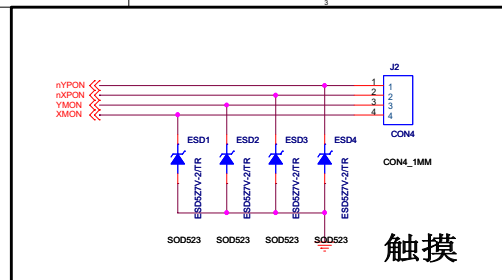
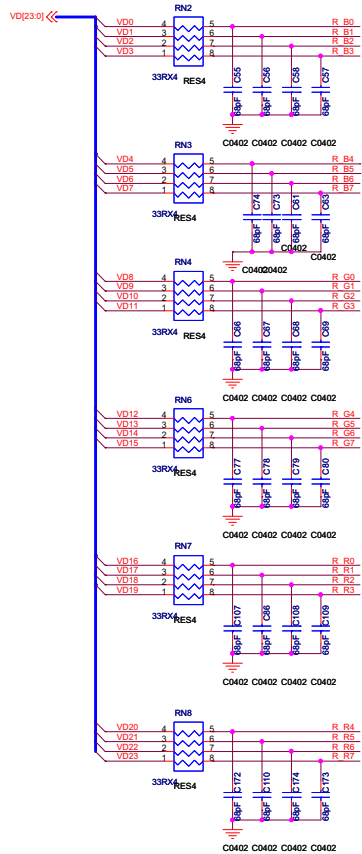


Title		
<Title>		
Size	Document Number	Rev
A4	<Doc>	<RevCode>
Date:	Friday, May 14, 2010	Sheet 4 of 11

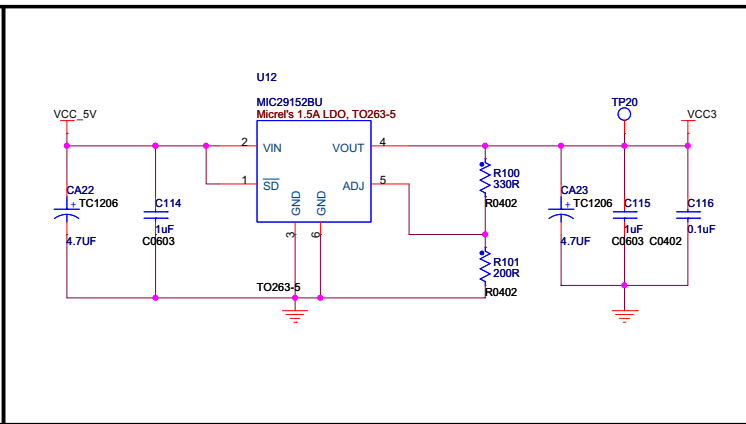
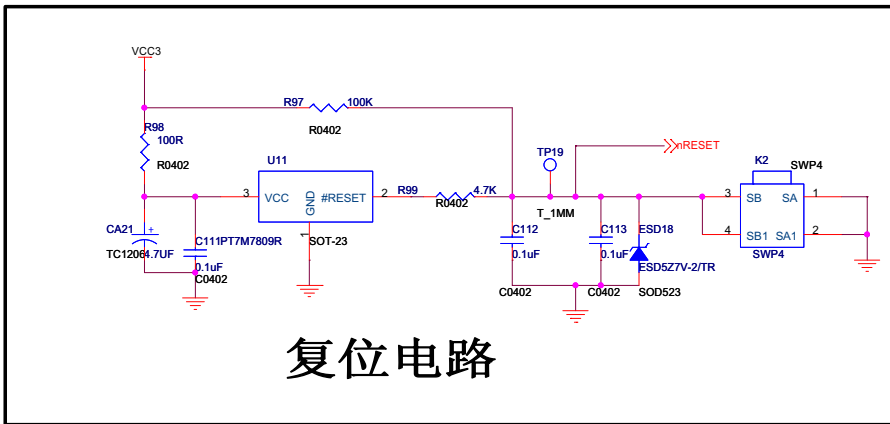
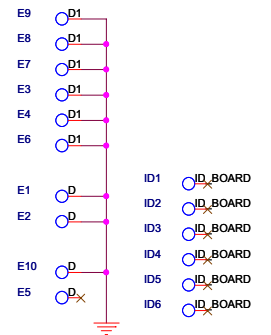
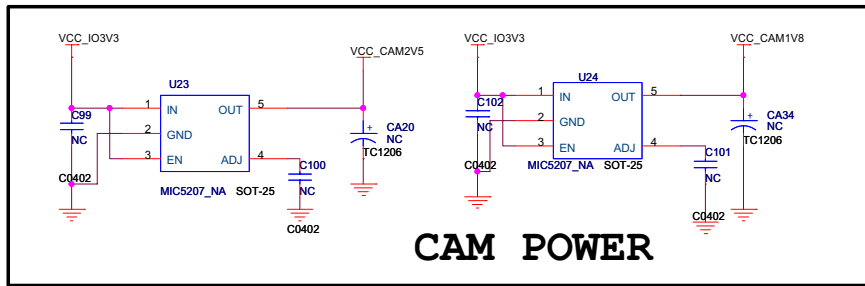
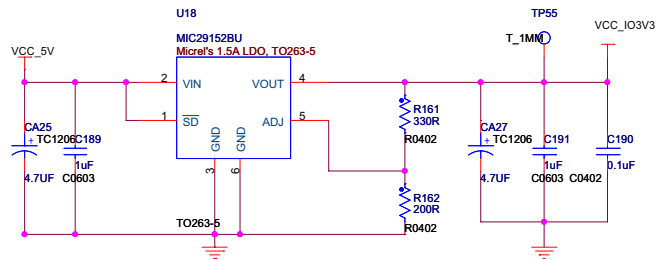
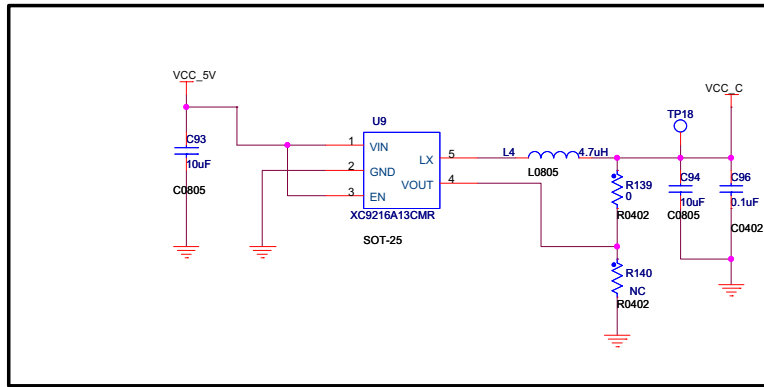
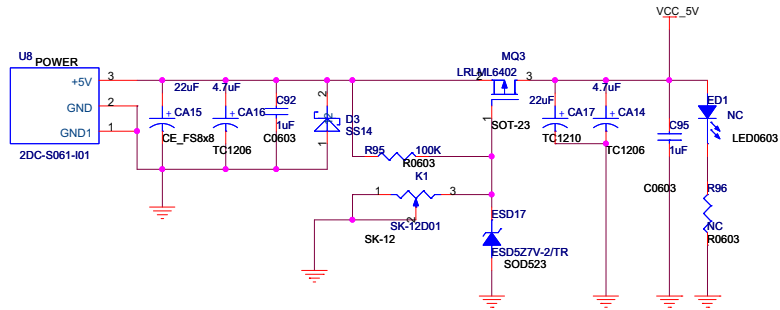
LDATA[31:0] <<
LADDR[26:0] >>



Title		
<Title>		
Size	Document Number	Rev
A4	<Doc>	<RevCode>
Date:	Friday, May 14, 2010	Sheet 5 of 11

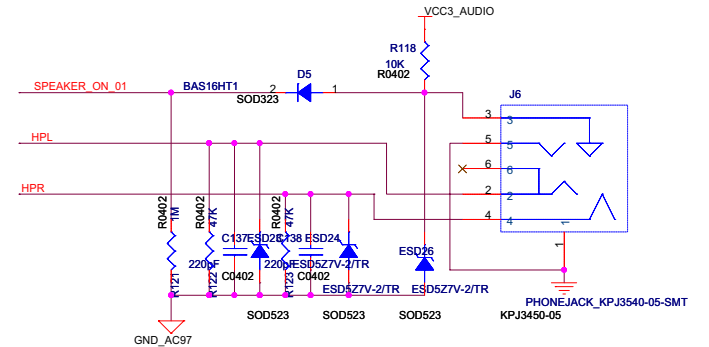
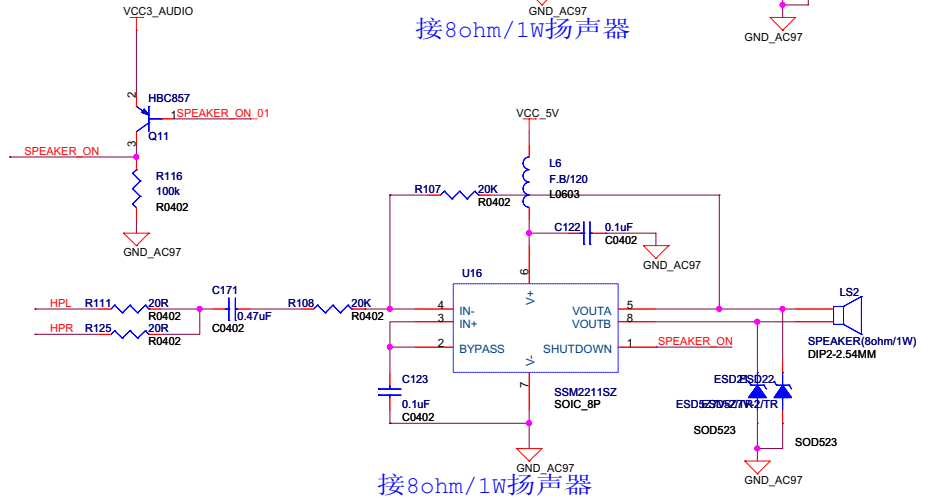
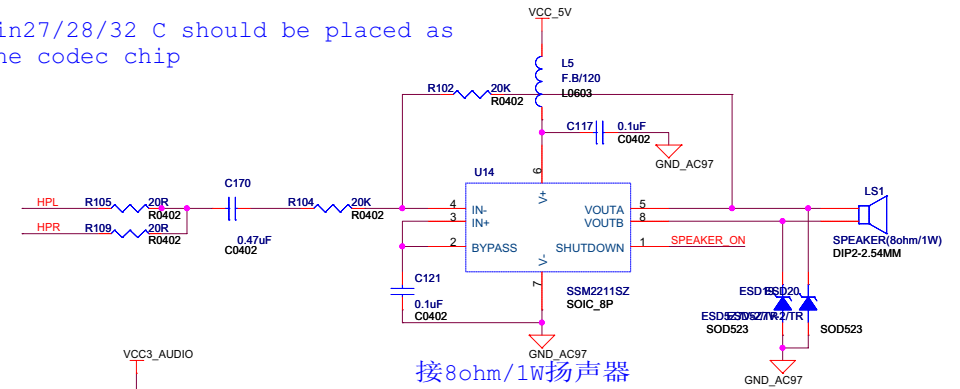
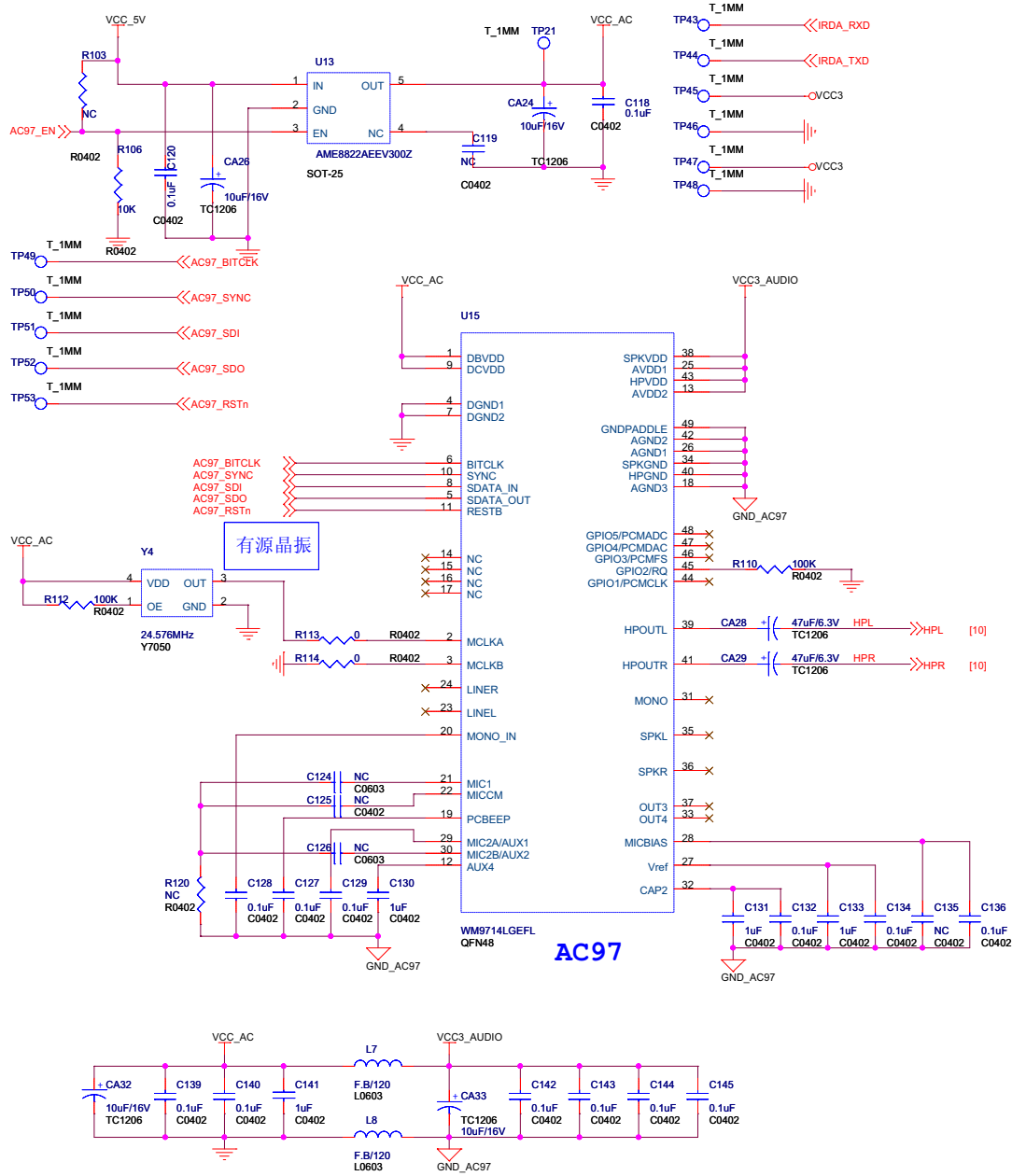


Title	<Title>	Rev	<Rev Code>
Size	Document Number		
C	<Doc>		
Date:	Friday, May 14, 2010	Sheet	6 of 11

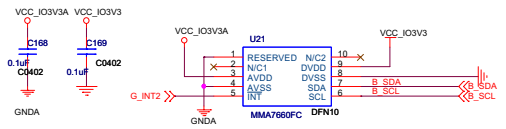
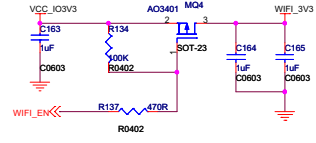
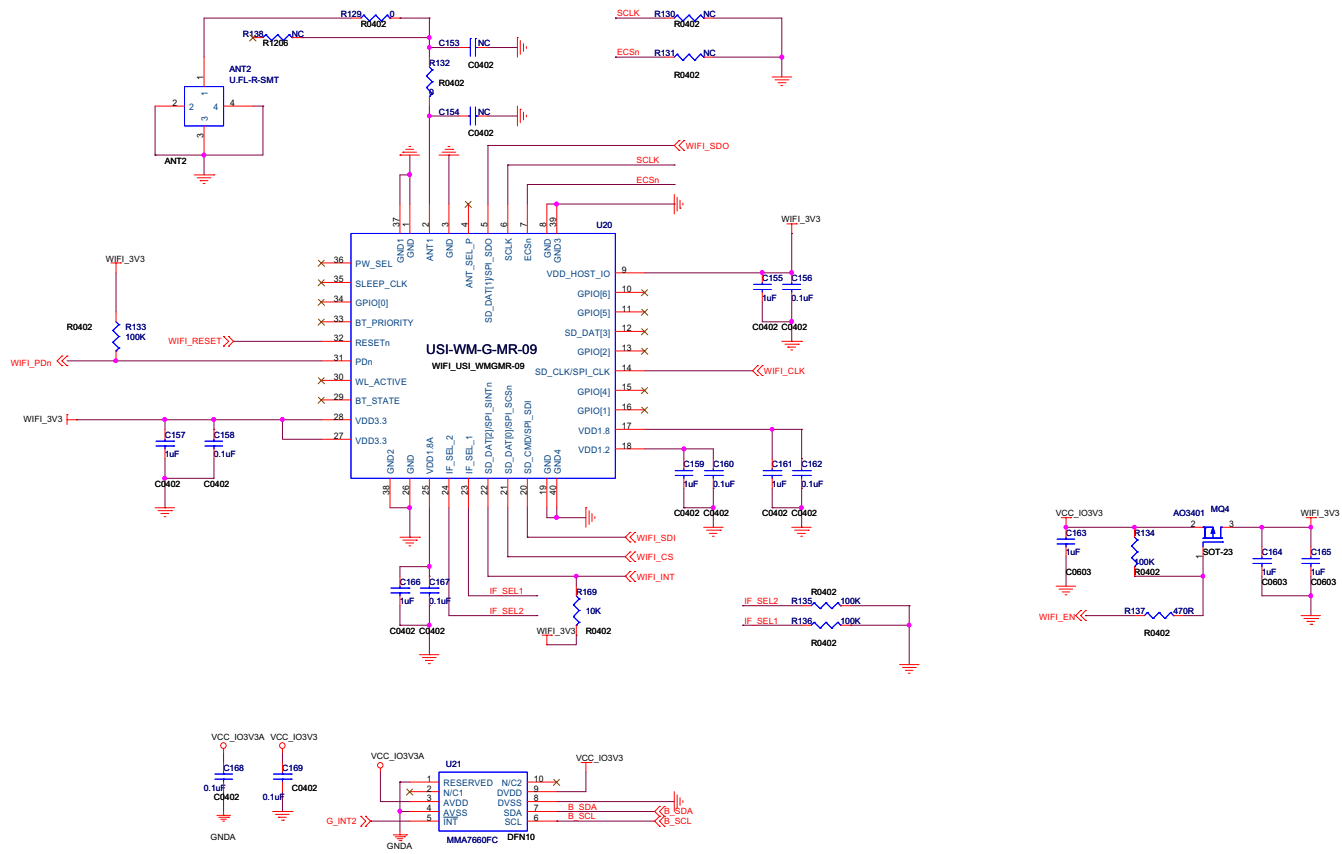


Title		<Title>
Size	Document Number	Rev
A3	<Doc>	<RevCode>
Date:	Friday, May 14, 2010	Sheet 8 of 11

Power C and pin27/28/32 C should be placed as close as to the codec chip



Title	<Title>	Rev	<RevCode>
Size	A3	Document Number	<Doc>
Date:	Friday, May 14, 2010	Sheet	9 of 11



Title	<Title>
Size	Document Number
C	<Doc>
Date	Friday, May 14, 2010
Sheet	11 of 11